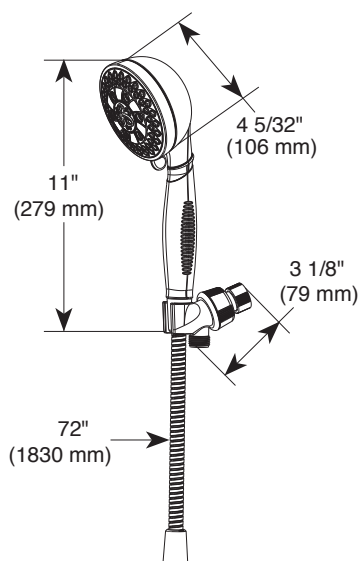


75521

Submitted Model No.: _____

Specific Features: _____

75521 2.0 GPM



-  Full Spray
-  Standard Full Spray
-  Massage Spray
-  Full Spray w/ Massage
-  Pause



see what Delta can do™

HANDSHOWER

■ Arm Mount Handshower

FEATURES:

- H₂Okinetic® Technology

STANDARD SPECIFICATIONS:

- ABS hand held shower with five settings – not a positive shut-off
- Adjustable shower arm mount for hands-free showering
- 72" (1830 mm) metal hose
- Maximum 2.0 gpm @ 80 psi, 7.6 L/min @ 550 kPa

WARRANTY

- Lifetime limited warranty on parts (other than electronic parts and batteries) and finishes; or for commercial users, for 5 years from the date of purchase.
- 5 year limited warranty on electronic parts (other than batteries); or for commercial users, for 1 year from the date of purchase. No warranty is provided on batteries.



COMPLIES WITH

- ASME A112.18.1/CSA B125.1
- EPA WaterSense®