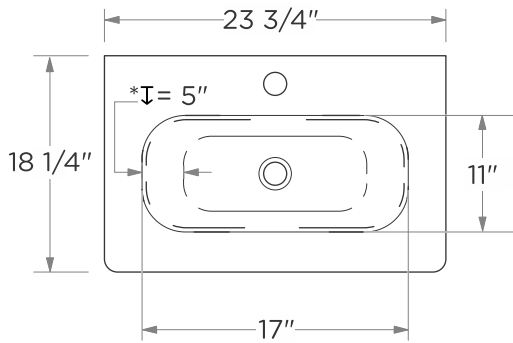




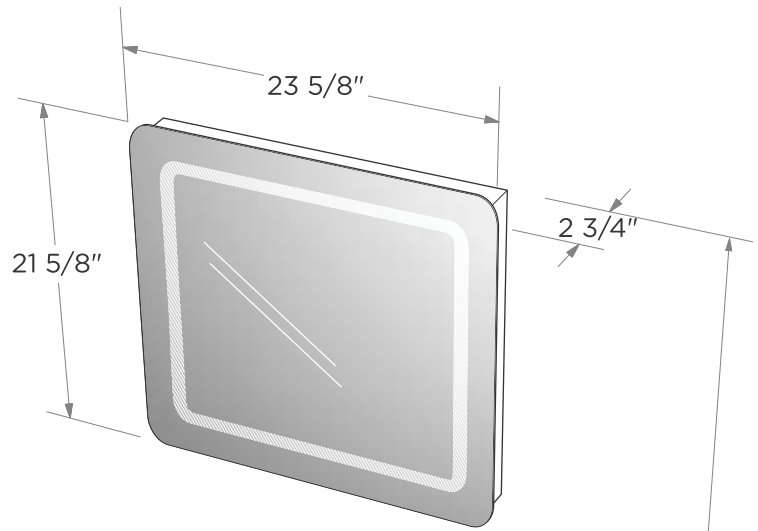
**FVN1725**  
**BRILLANTE**  
**INSTALLATION GUIDE**



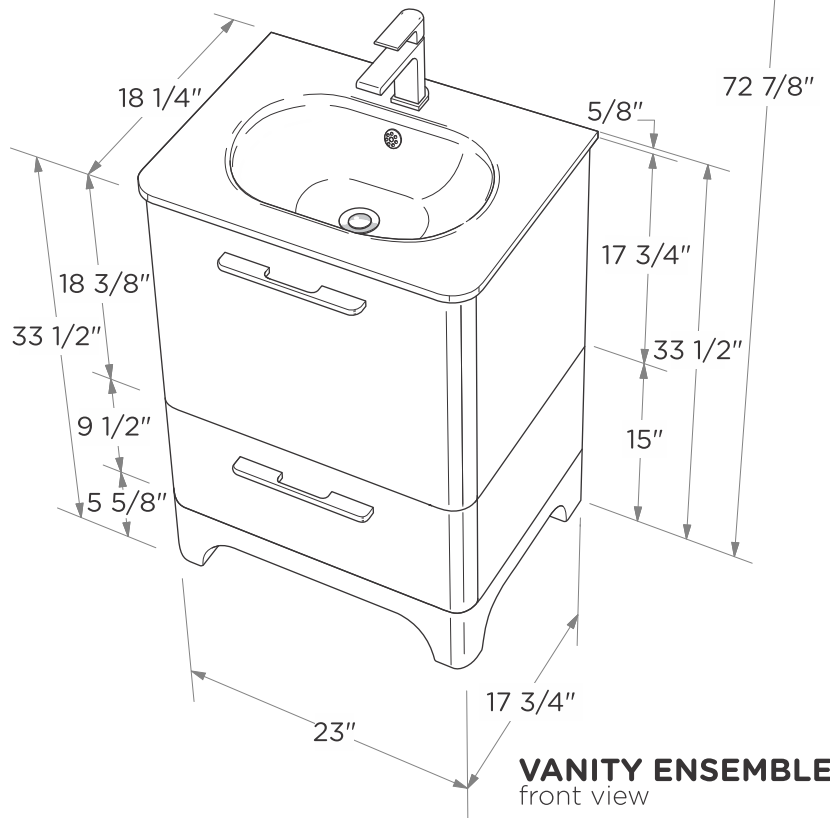
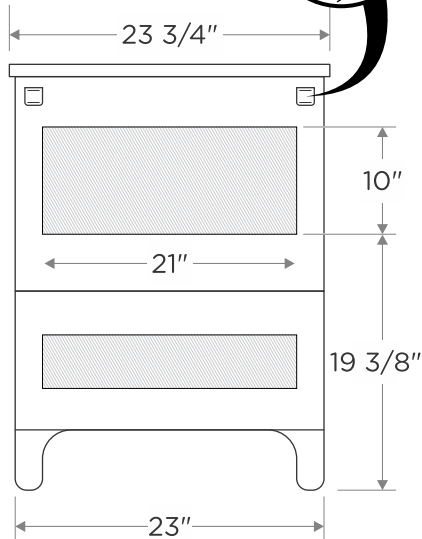
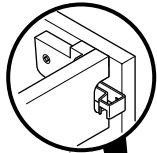
**SPECIFICATION SHEET**



**SINK**  
top view



**CABINET**  
back view



**VANITY ENSEMBLE**  
front view

\*T= depth

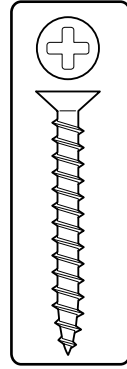
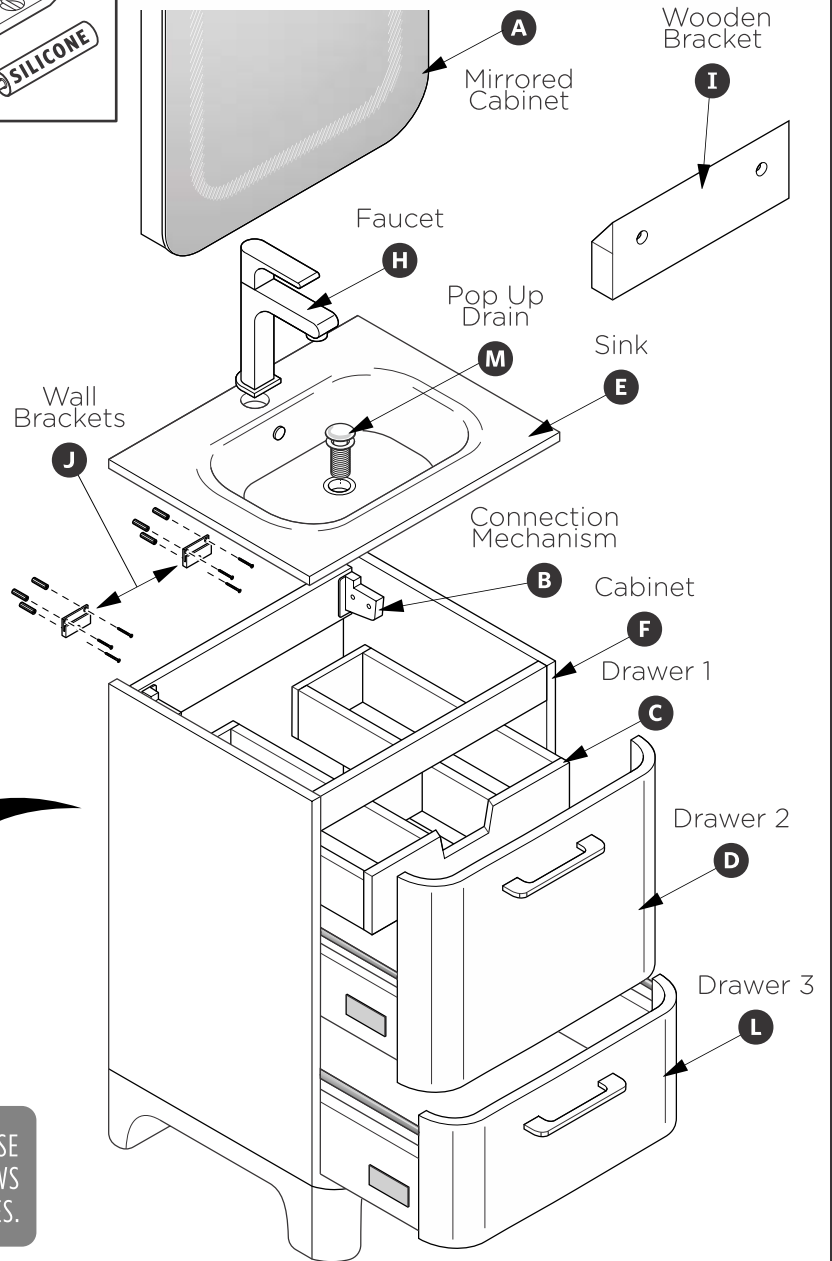
**! ALL DIMENSIONS & SPECIFICATIONS ARE APPROXIMATE AND SUBJECT TO CHANGE WITHOUT NOTICE.**

## TOOLS FOR ASSEMBLY

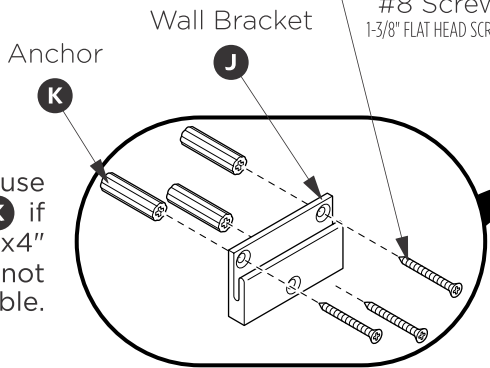


## PARTS

- A** Mirrored Cabinet
- B** Connection Mechanism
- E** Sink
- F** Cabinet
- G** #8 Screw
- H** Faucet
- J** Wall Bracket
- M** Pop Up Drain
- K** Anchor
- C** Drawer 1
- D** Drawer 2
- I** Wooden Bracket



**G** #8 Screw  
1-3/8" FLAT HEAD SCREW



**Note:** Only use anchors **K** if stud (2"x4" frame) is not available.

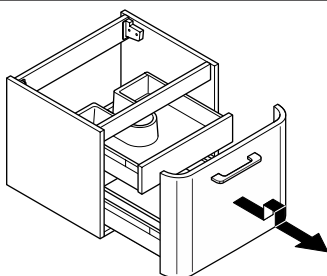


### IMPORTANT:

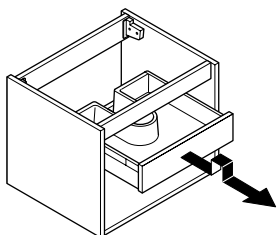
CONSULT AN EXPERT FOR THE PROPER SCREWS/BOLTS TO USE WHEN ATTACHING TO VARIOUS WALL CONSTRUCTIONS. SCREWS PROVIDED DO NOT ATTACH TO ALL WALL CONSTRUCTION TYPES.

## DRAWER REMOVAL & INSTALLATION

### REMOVAL

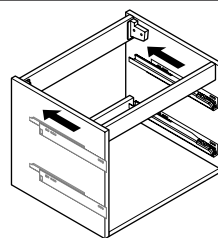


1

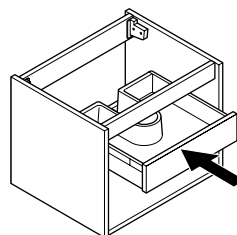


2

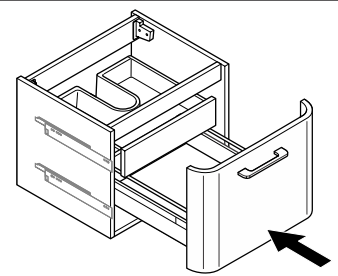
### INSTALLATION



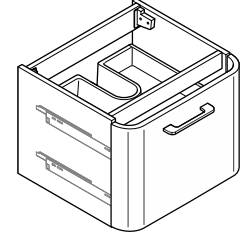
1



2



3

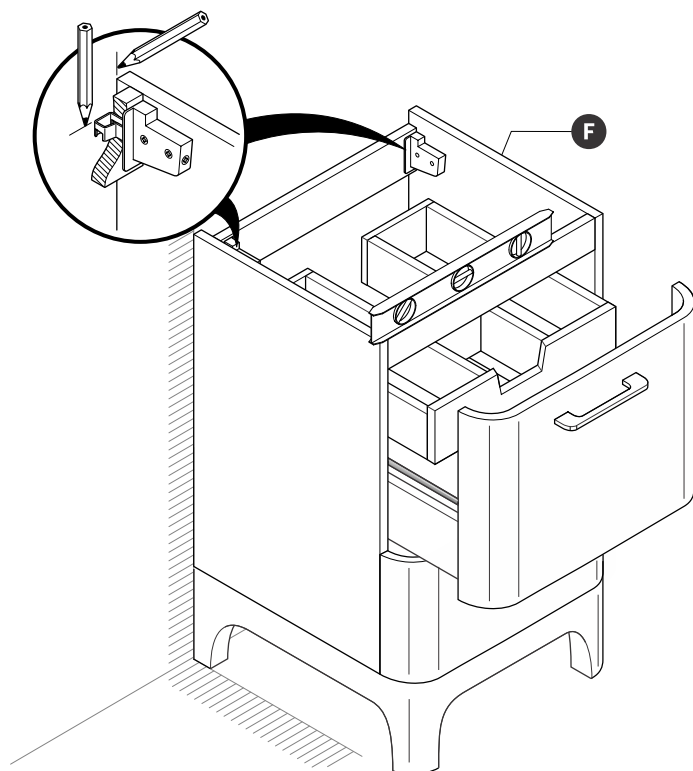


4



# INSTALLATION

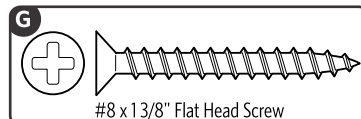
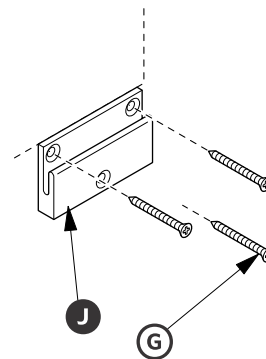
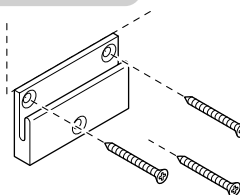
1. Place cabinet (F) to the wall and mark location using a level.



2. Attach brackets (J) to the wall.

**Note:** Only use anchors (K) if stud (2"x4" frame) is not available.

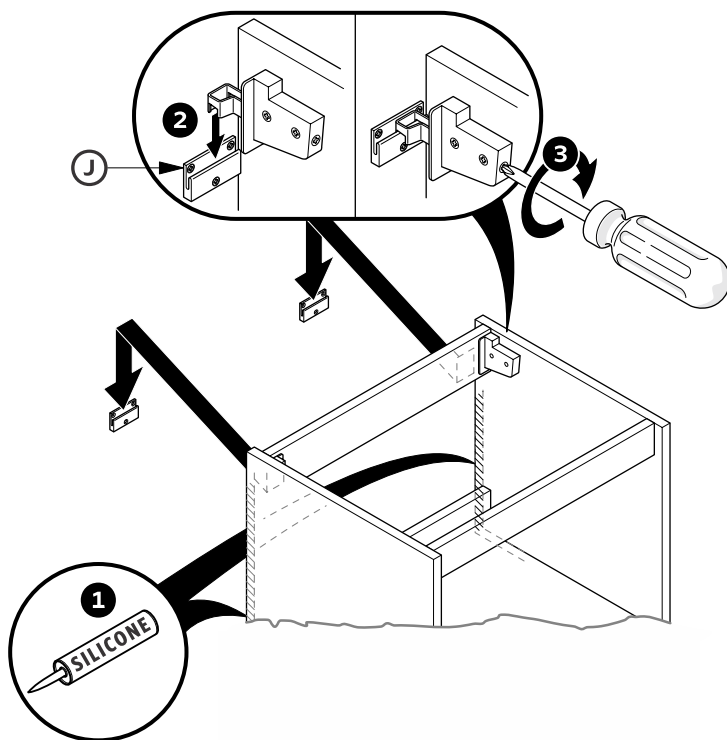
\*See PAGE 2 for illustration.



## ! IMPORTANT:

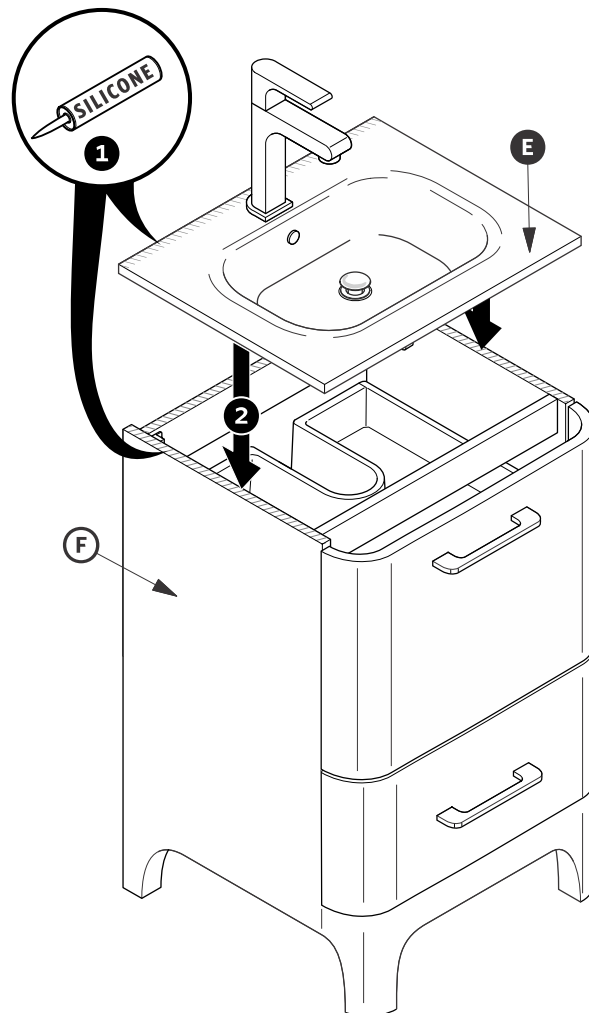
CONSULT AN EXPERT FOR THE PROPER SCREWS/BOLTS TO USE WHEN ATTACHING TO VARIOUS WALL CONSTRUCTIONS. SCREWS PROVIDED DO NOT ATTACH TO ALL WALL CONSTRUCTION TYPES.

3. Apply silicone and place cabinet (F) on the brackets (J).



IF NECESSARY REMOVE DRAWERS FOR AN EASY ACCESS TO THE CONNECTION MECHANISM.

4. Apply silicone and place sink (E) on the cabinet (F).



# MIRRORED CABINET INSTALLATION

- 1.** Place mirrored cabinet **(A)** to the wall & mark desired location.

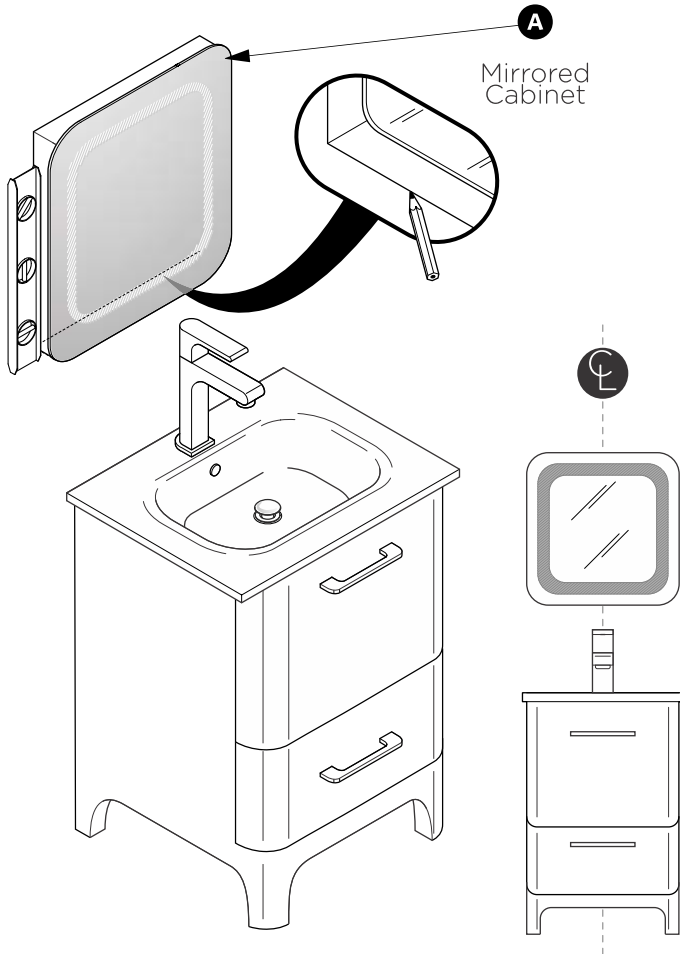
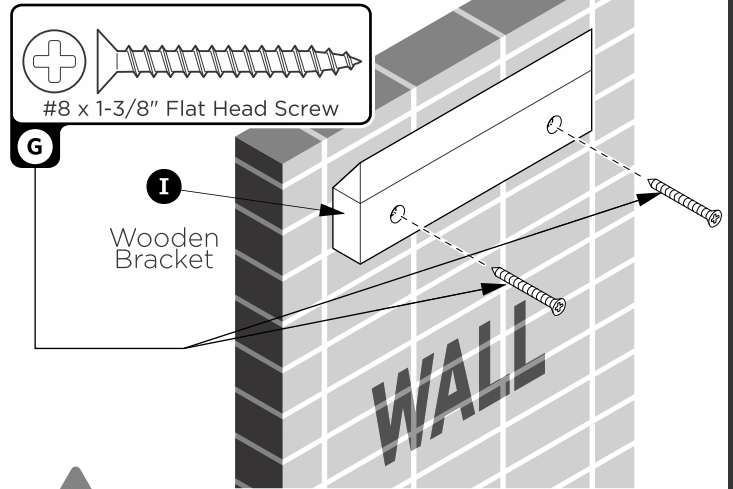


Illustration **b**.

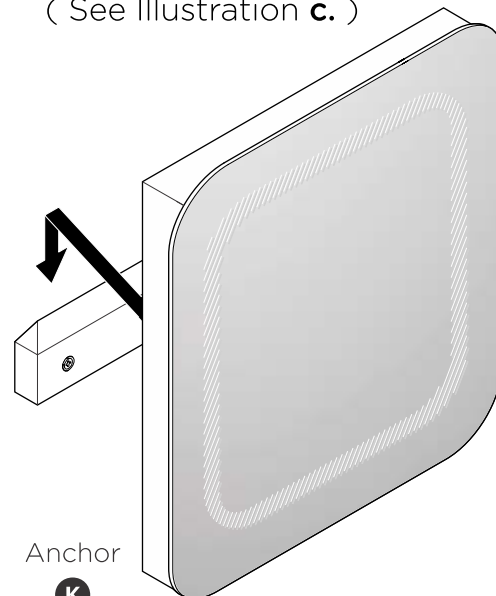
- 2.** Attach wooden bracket **(I)** to the wall using screws.



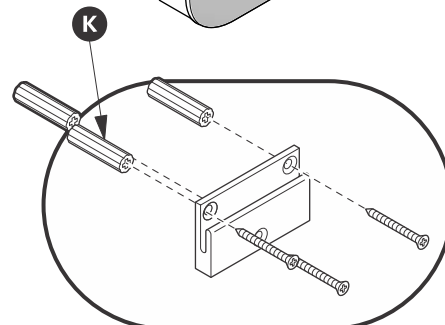
**IMPORTANT:**

CONSULT AN EXPERT FOR THE PROPER SCREWS/BOLTS TO USE WHEN ATTACHING TO VARIOUS WALL CONSTRUCTIONS. SCREWS PROVIDED DO NOT ATTACH TO ALL WALL CONSTRUCTION TYPES.

- 3.** Once bracket **(I)** is attached place mirrored cabinet on it. ( See Illustration **c** . )



Anchor



**Note:** Only use anchors **(K)** if stud (2"x4" frame) is not available.

Illustration **c**.

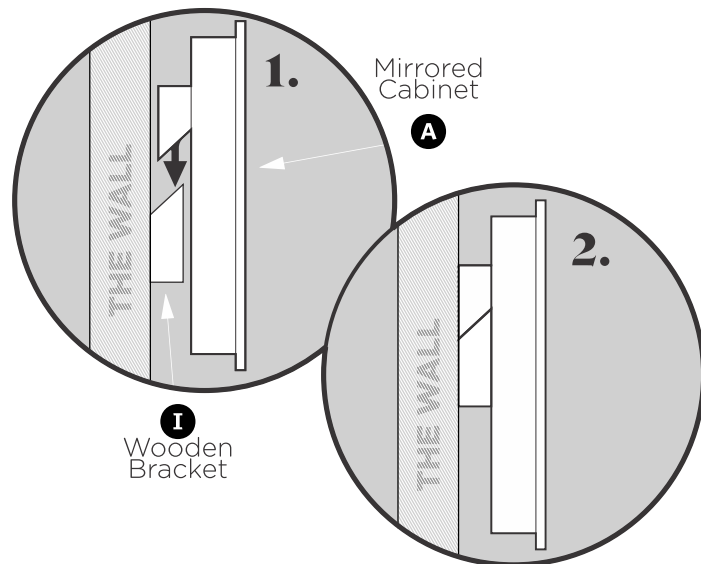
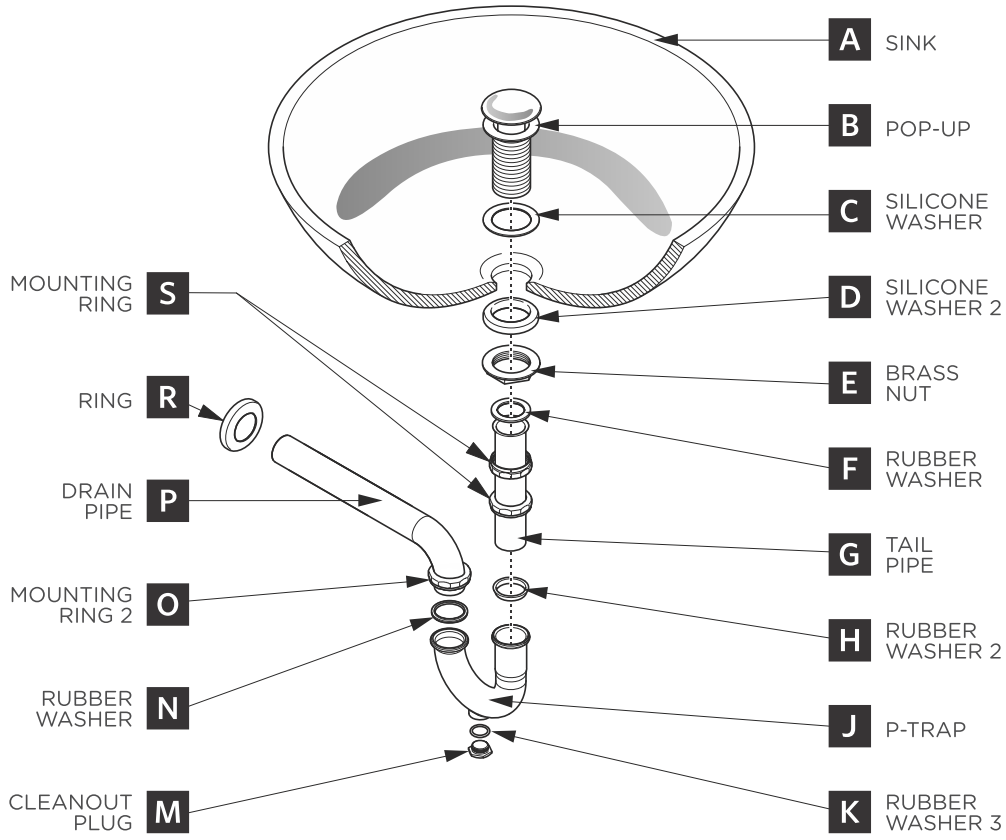


Illustration **c**.

# P-TRAP & POP-UP

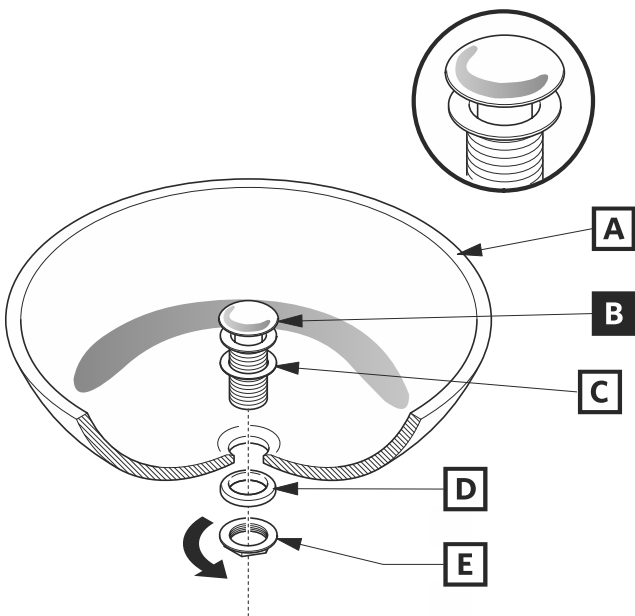
## INSTALLATION INSTRUCTIONS

Your item may appear slightly different from the illustration.



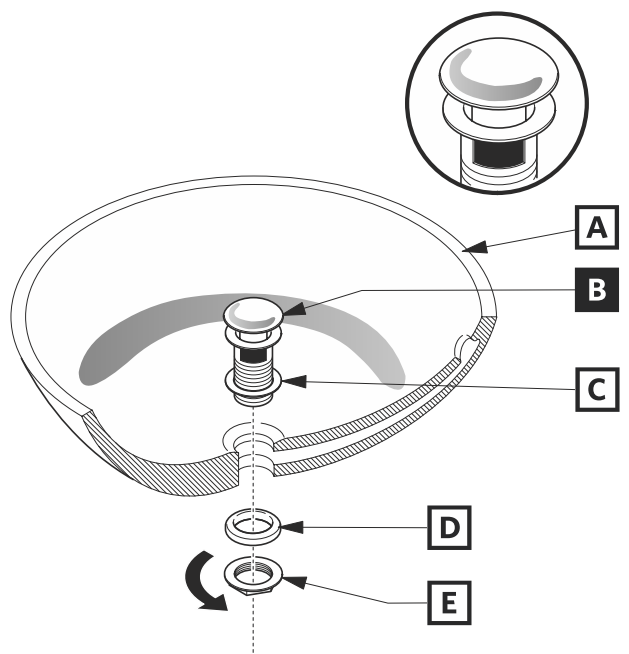
## POP-UP INSTALLATION

**FOR SINKS**  
WITHOUT OVERFLOW



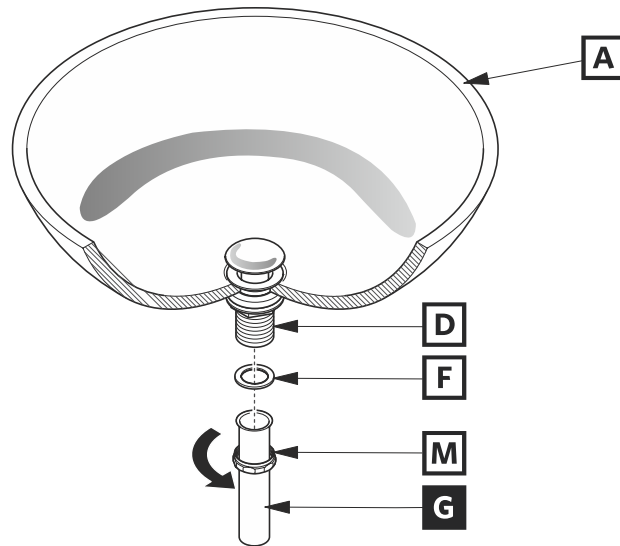
OR

**FOR SINKS**  
WITH OVERFLOW



## P-TRAP INSTALLATION

1. Install tail pipe (G).



2. Install P-trap (J).

