

Voss™ Technical Specification

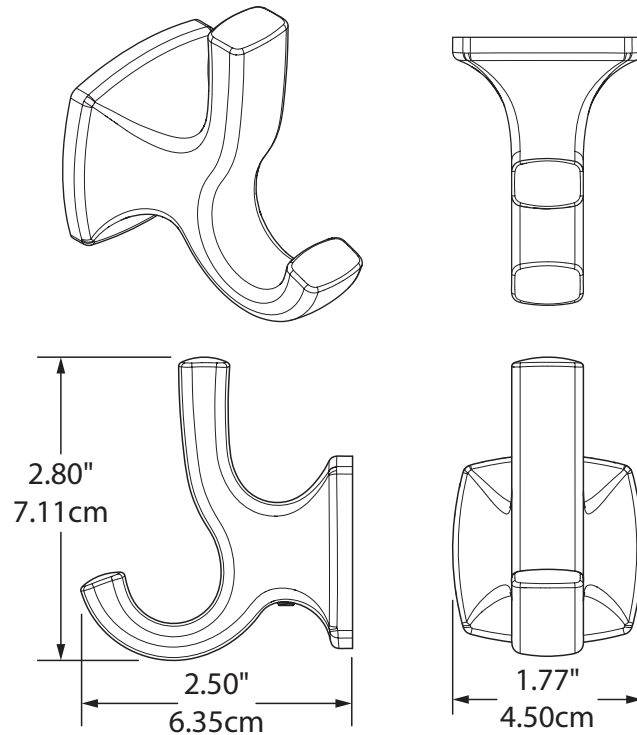
Double Robe Hook

YB5103

Stock Numbers:

- **YB5103BN – Double Robe Hook**
Brushed Nickel Finish
- **YB5103CH – Double Robe Hook**
Chrome Finish
- **YB5103ORB – Double Robe Hook**
Oil Rubbed Bronze Finish
- **YB5103BG – Double Robe Hook**
Brushed Gold

Dimensions:



Materials:

Robe Hooks are constructed of zinc.

Installation Instructions:

1. Remove the mounting bracket from the body by loosening the setscrew.
2. Position the assembled unit on the wall where desired.
3. Lightly mark the outline of the base.
4. Center a mounting bracket within the base outline **with "UP" facing you**.
5. Attach the mounting bracket to the wall, using the wall anchors provided.
6. Mount the base on the corresponding mounting bracket. Check and make sure that the base screw hole is facing down. Assemble a set screw to the base. Use the allen wrench included in a hardware kit to tighten the set screw and secure the assembly to the mounting bracket.

Cleaning Instructions:

To preserve the fine finish of this product, clean only with a soft damp cloth. Dry well. Do not use commercial or abrasive cleaners.

Stock Number: _____ Robe Hook
By Moen Incorporated

 **MOEN**
Buy it for looks. Buy it for life.®

25300 AL MOEN DRIVE • NORTH OLMSTED, OH 44070
CORPORATE HEADQUARTERS: (800) 321-8809 • FAX: (800) 848-6636
INTERNATIONAL: (440) 962-2000 • FAX: (440) 962-2726
CUSTOMER SERVICE (USA): 800-882-0116 • FAX: (888) 379-2720
WWW.MOEN.COM

© 2017 Moen Incorporated. Moen is a registered trademark and Voss is a trademark of Moen Incorporated. All rights reserved.