

Stainless Steel Technical Specification

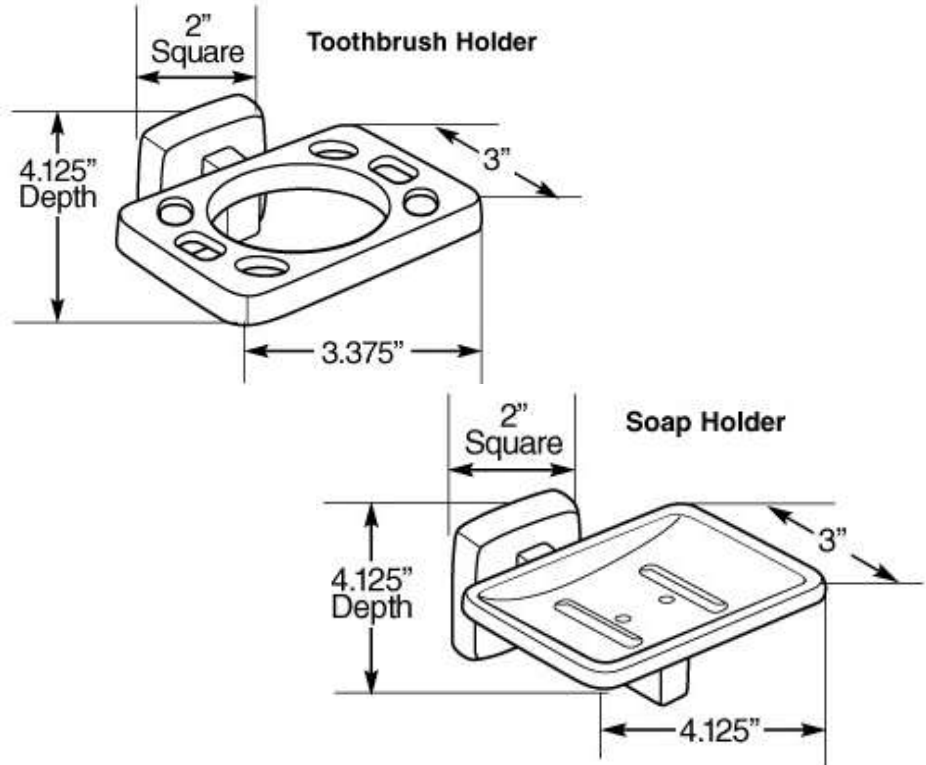
Toothbrush & Soap Holder

P1740, P1760

Stock Numbers:

- **P1740 – Toothbrush Holder**
Stainless Steel Finish
Concealed Screw Mounting
- **P1760 – Soap Holder**
Stainless Steel Finish
Concealed Screw Mounting

Dimensions:



Materials:

Toothbrush and Soap Holders are stamped from Type 304 stainless steel.

Installation Instructions:

1. Remove mounting bracket from back of fixture by loosening the set screw.
 2. Position unit on wall in desired location.
 3. Lightly mark the outline of the base of the unit.
 4. Center mounting bracket inside the outline.
 5. Mark hole locations. Attach bracket to wall using 1 3/8" screws (provided).
 6. Mount base on bracket. Tighten set screw on the bottom.
- Note: Wood blocking is preferable behind all wall surfaces. If wood blocking is not available, the following optional fasteners are suggested: Tile/Masonry – Plastic or Lead Anchors; Plaster/Drywall – Toggle Bolts.

Cleaning Instructions:

To preserve the fine finish of this product, clean only with a soft damp cloth. Dry well. Do not use commercial or abrasive cleaners.

Stock Number: _____ **Soap Dish & Tumbler**
By Creative Specialties



25300 AL MOEN DRIVE • NORTH OLMSTED, OH 44070
CORPORATE HEADQUARTERS: (800) 321-8809 • FAX: (800) 848-6636
INTERNATIONAL: (440) 962-2000 • FAX: (440) 962-2726
CUSTOMER SERVICE (USA): 800-882-0116 • FAX: (888) 379-2720
WWW.MOEN.COM

©Copyright Creative Specialties International

Literature #BA1655