

**SPECIFICATIONS**


**Features/Benefits**

- 1.75 gpm (6.6 L/min) Maximum Flow Rate @80psi
- Includes Treysta™ Pressure Balance Ceramic Disc Cartridge
- Requires Treysta™ Rough-In Valve, G00GS500 Series (Horizontal Inputs) or G00GS520 Series (Vertical Inputs)
- Diverter on Tub Spout
- Includes Single-Function Mono Round Showerhead, D460052
- 6" Metal Shower Arm
- Accommodates Standard, Back-to-Back, and Thin Wall Installations



**Available Color/Finishes**

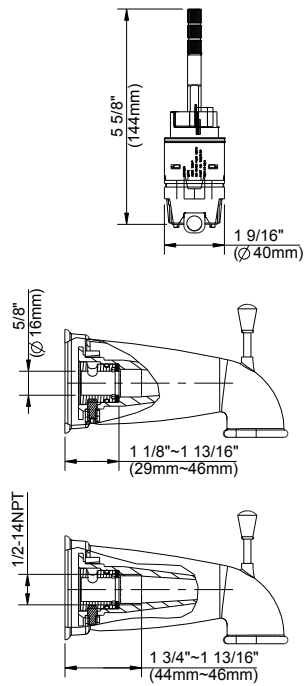
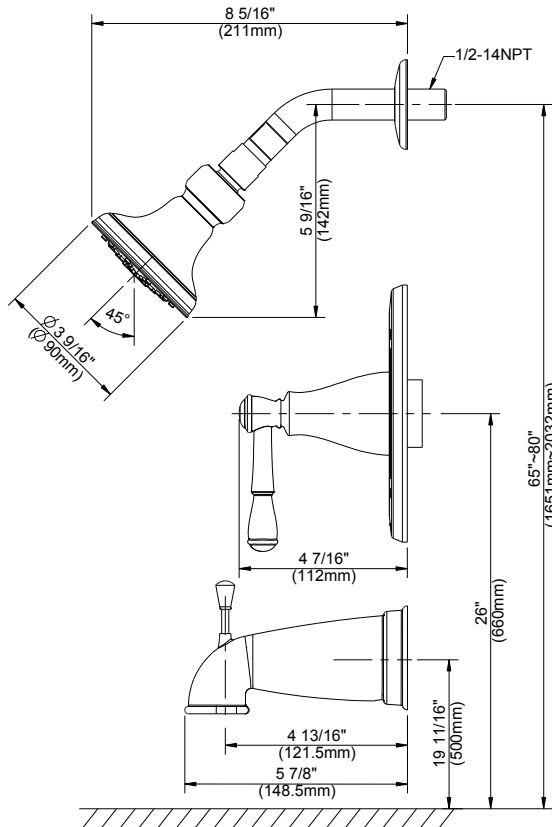
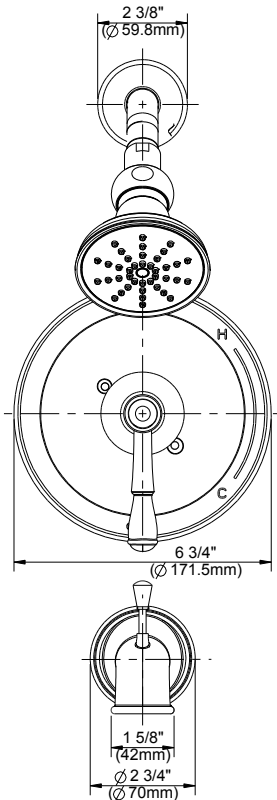
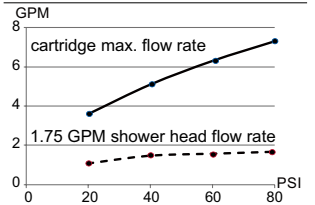
Color	Description
-------	-------------

 Chrome  
Please see danze.com or current price list for available finishes.  
Finish is defined by additional suffix.

**Standards & Certifications**



**Flow Rate**



**Submittal Information:**

Name: \_\_\_\_\_  
Location: \_\_\_\_\_

Contractor: \_\_\_\_\_  
Contact #: \_\_\_\_\_