



Specifications

DESCRIPTION

- Three function transfer valve
- Inlets and outlets on same plane
- 1/2" CC connections


OPERATION

- Detents at each flow position
- Valve operates 3 independent functions but can be plumbed for 2 independent functions

CARTRIDGE

- Ceramic disk cartridge

STANDARDS

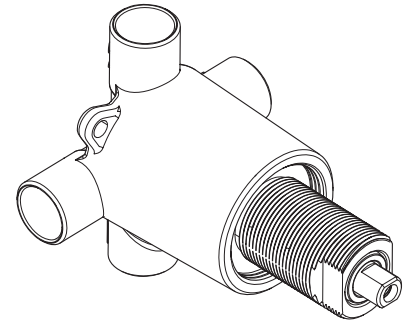
- Third party certified to meet ASME A112.18/CSA B125.1 and all applicable requirements therein
- Meets ADA  compliance standards

WARRANTY

- 5 year limited warranty when used in a commercial installation
- Visit www.moen.com/support for complete details and limitations

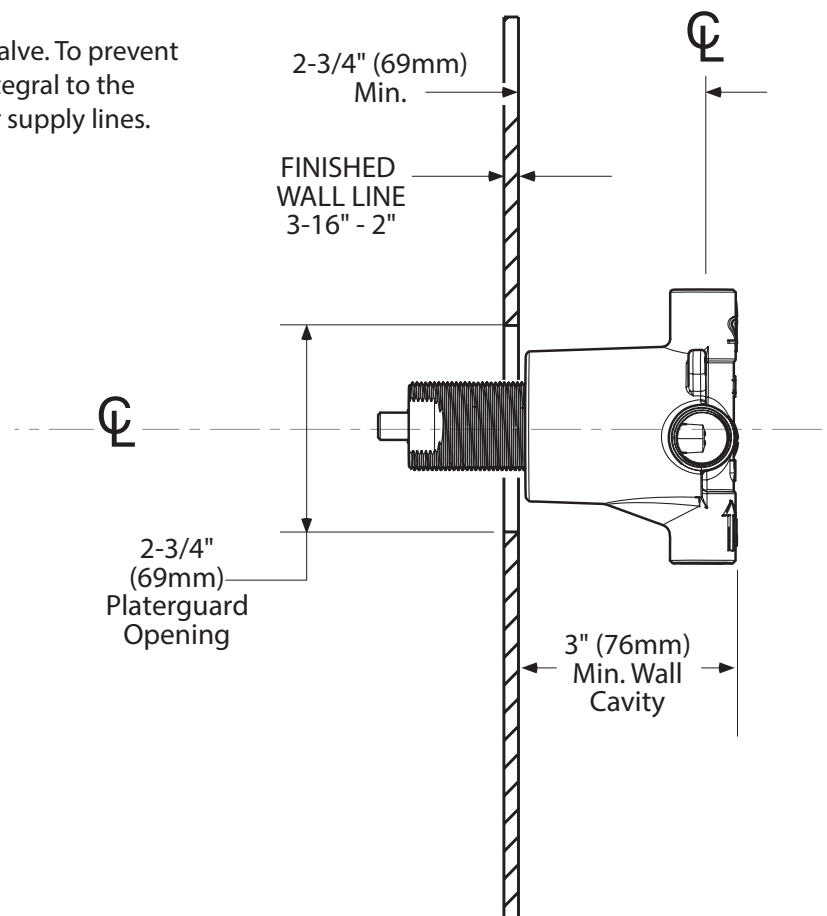
NOTE

This valve is not intended to be used as a shut-off valve. To prevent the potential of cross flow, check valves must be integral to the supply valve or installed in both hot and cold water supply lines.



Three Independent Function Commercial Transfer Valve

Model: 3360



CRITICAL DIMENSIONS

(DO NOT SCALE)