



Buy it for looks. Buy it for life.®

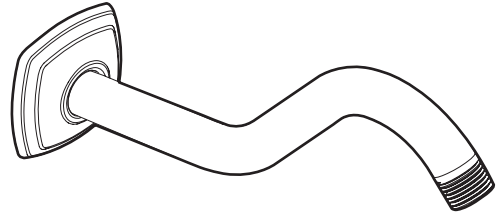
DESCRIPTION

- Metal construction with various finishes identified by suffix
- Includes shower arm and flange

WARRANTY

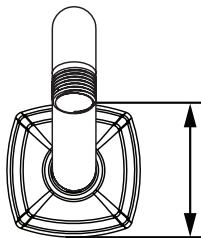
- Lifetime limited warranty against leaks, drips and finish defects to the original homeowner
 - 10 year limited warranty when used in a multifamily installation
 - 5 year limited warranty when used in a commercial installation
- Visit www.moen.com/support for complete details and limitations

Specifications

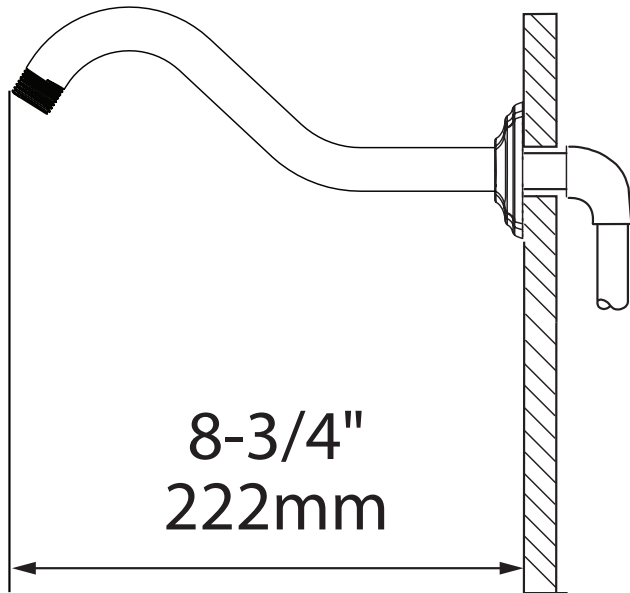


Shower Arm and Flange

Models: 161951 series



2-1/2"
64mm



8-3/4"
222mm

CRITICAL DIMENSIONS

(DO NOT SCALE)