


**SPECIFICATIONS**



**Features/Benefits**

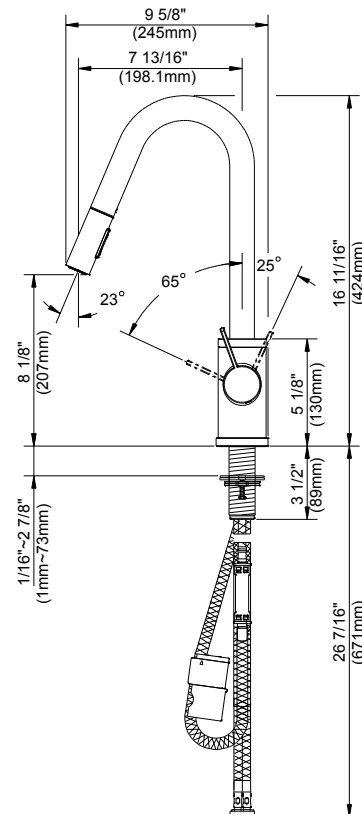
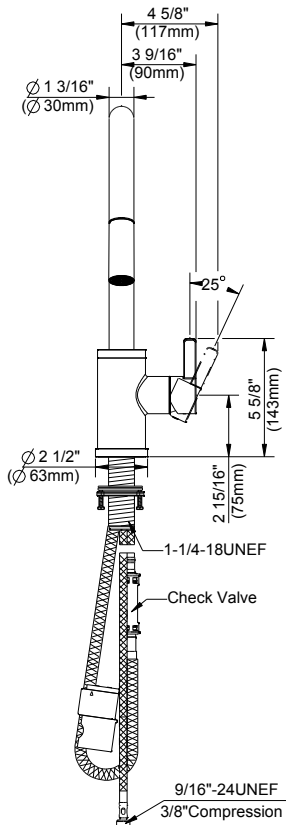
- Ceramic Disc Cartridge
- 16 11/16" High Swivel Spout, 7 13/16" Spout Length
- 2 Function Spray/Aerated Stream
- SnapBack® retraction system with Grip Lock™ weight
- 8" Deck Plate DA607750 Sold Separately for Single Hole Mounting
- 1.75 gpm (6.6 L/min) Max Aeration/2.2 gpm (8.3 L/min) Max Spray @60psi

**Available Color/Finishes**

| Color   | Description |
|---|-------------|
|  | Chrome      |

Please see danze.com or current price list for available finishes.  
Finish is defined by additional suffix.

**Standards & Certifications**



**Submittal Information:**

Name: \_\_\_\_\_  
Location: \_\_\_\_\_

Contractor: \_\_\_\_\_  
Contact #: \_\_\_\_\_