

SPECIFICATIONS

Features/Benefits

- DockForce™ Magnetic Docking Technology
- SnapBack® Retraction System
- Eaily Adjustable GripLock® Weight
- 1.75gpm (6.6L/min) Maximum Flow @ 60 PSI
- 2 Function Spray/Aerated Stream
- Ceramic Disc Cartridge
- 16 15/16" Spout Height, 8 1/16" Spout Reach
- 360 Degree Swivel Spout
- Single Hole Installation
- Optional Deck Plate, DA607955, Sold Separately for 3 Hole Applications



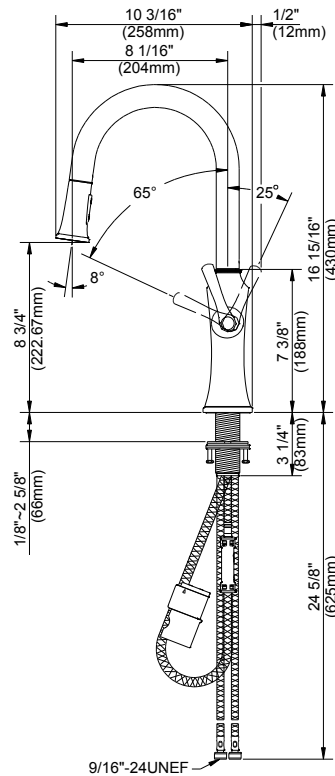
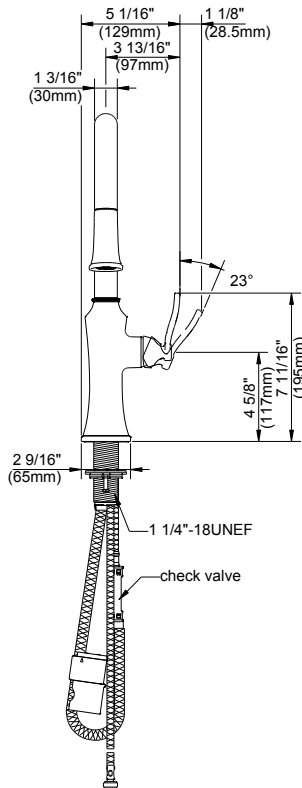
Available Color/Finishes

Color	Description
-------	-------------

 Chrome

Please see danze.com or current price list for available finishes. Finish is defined by additional suffix.

Standards & Certifications



Submittal Information:

Name: _____
Location: _____

Contractor: _____
Contact #: _____