

SPECIFICATIONS


Features/Benefits

- 5 Functions: Wide, Centerjet, Aeration, Massage and Wide + Centerjet
- D-Force™ and Air Injection Technology
- Brass Ball Joint with Polymer Shell
- Optimizes Water Intensity Even at Low Pressures
- With 71 Easy Clean Jets
- Maximum Flow Rate 1.75 gpm @ 80 psi
- Uses 30% Less Water Than a Standard Showerhead
- Flowing at 2.5 gpm



Available Color/Finishes

Color	Description
-------	-------------

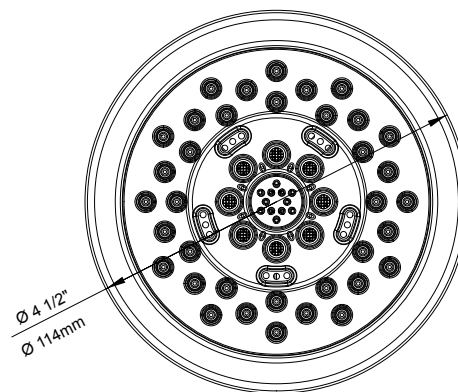
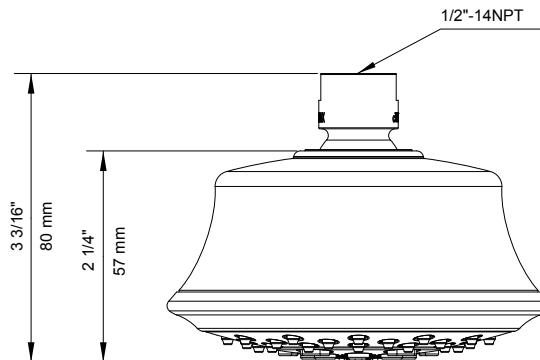
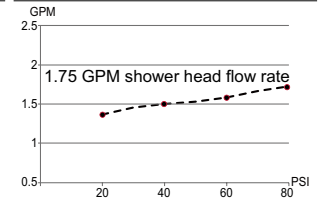
	Chrome
---	--------

Please see danze.com or current price list for available finishes.
Finish is defined by additional suffix.

Standards & Certifications



Flow Rate



Submittal Information:

Name: _____
Location: _____

Contractor: _____
Contact #: _____