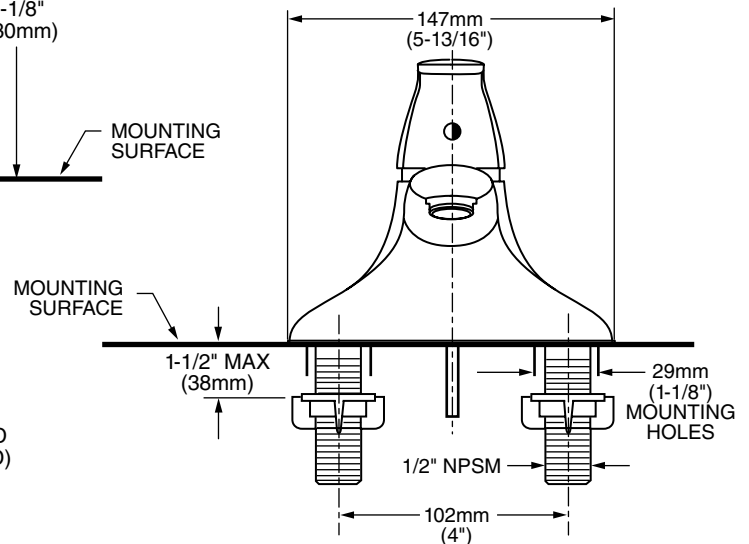
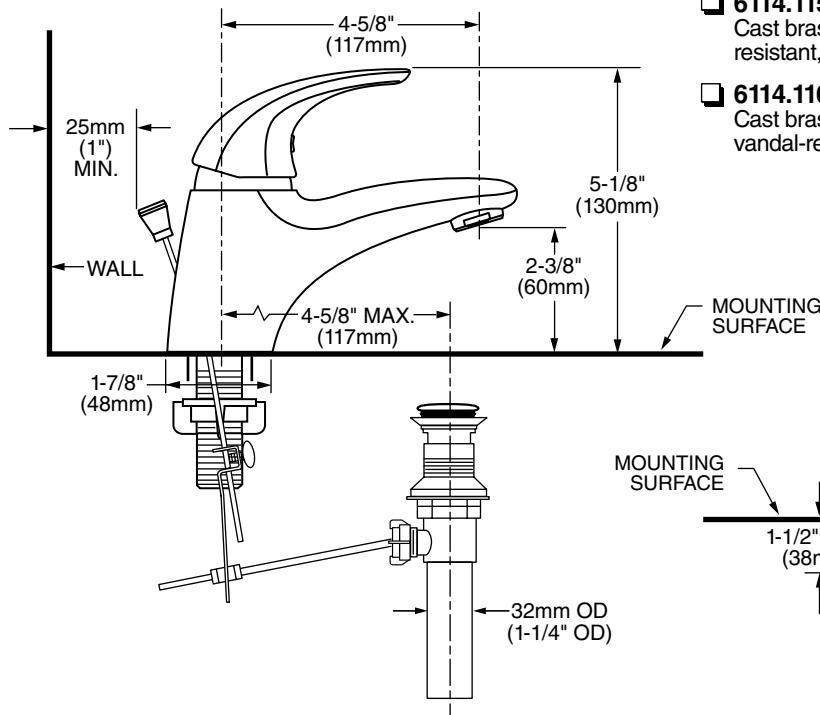


**MODEL NUMBER:**

- 
 **6114.110.002 Monterrey Single Control Centerset**  
Cast brass body. Metal pop-up drain. 1.5 gpm pressure compensating aerator.
- 
 **6114.111.002 Monterrey Single Control Centerset**  
Cast brass body. Less pop-up drain, rod & hole. 1.5 gpm pressure compensating aerator.
- 
 **6114.113.002 Monterrey Single Control Centerset**  
Cast brass body. Metal pop-up drain. 0.35 gpm vandal-resistant, pressure compensating multi-laminar spray.
- 
 **6114.114.002 Monterrey Single Control Centerset**  
Cast brass body. Less pop-up drain, rod & hole. 0.35 gpm vandal-resistant, pressure compensating multi-laminar spray.
- 6114.115.002 Monterrey Single Control Centerset**  
Cast brass body. Metal pop-up drain. 0.5 gpm vandal-resistant, pressure compensating multi-laminar spray.
- 6114.116.002 Monterrey Single Control Centerset**  
Cast brass body. Less pop-up drain, rod & hole. 0.5 gpm vandal-resistant, pressure compensating multi-laminar spray.



**GENERAL DESCRIPTION:**

Cast brass centerset body with metal handle. 1/2" male threaded brass inlet shanks with quick spin nuts. Washerless ceramic disc valve cartridge with integral hot limit safety stop. Metal pop-up drain with 1-1/4" (32mm) tailpiece. Choice of flow outlet. Fitting mounts on 4" centers.

**PRODUCT FEATURES:**

**Pressure Compensating Outlet:** Provides a constant water flow throughout the pressure range.

**Durable Cast Brass Body:** Perfect for high-use commercial installations

**Ceramic Disc Valve Cartridge:** Assures a lifetime of drip-free, maintenance-free performance.

**Adjustable Hot Limit Safety Stop:** Limits the amount of hot water allowed to mix with cold. Reduces the risk of accidental scalding.

**Lead Free:** Faucet contains ≤ 0.25% total lead content by weighted average.

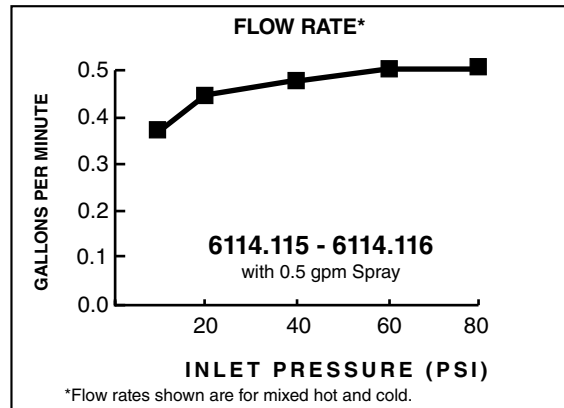
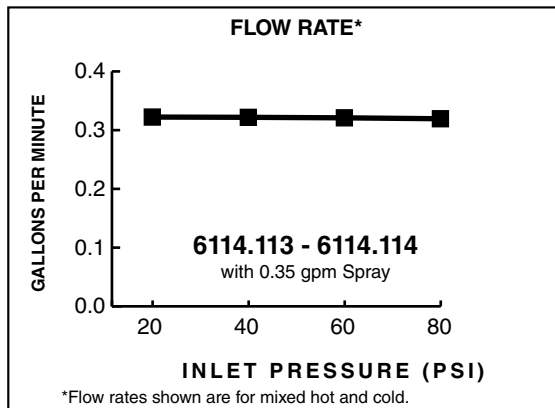
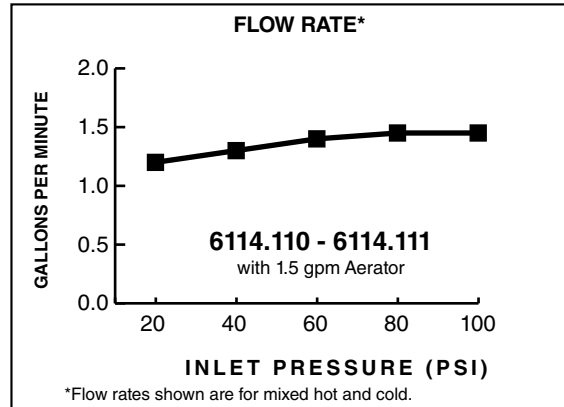
**SUGGESTED SPECIFICATION:**

Single control centerset lavatory fitting shall feature a cast brass body with metal handle. Shall feature 1/2" male threaded brass inlet shanks with quick spin nuts. Shall also feature washerless ceramic disc valve cartridge with integral hot limit safety stop. Faucet shall be American Standard Model # 6114.11 \_\_.002.


**CODES AND STANDARDS**

These products meet or exceed the following codes and standards:

- ANSI A117.1
- ASME A112.18.1
- CSA B 125
- NSF 372



Product Number	Description	Finish
		Polished Chrome
		002
6114.110	Monterrey Single Control Centerset. Metal lever handle. Metal pop-up drain. 1.5 gpm/5.7L/min. maximum flow rate.	
6114.111	Monterrey Single Control Centerset. Metal lever handle. Less pop-up drain. 1.5 gpm/5.7L/min. maximum flow rate.	
6114.113	Monterrey Single Control Centerset. Metal lever handle. Metal pop-up drain. 0.35 gpm/1.9L/min. maximum flow rate.	
6114.114	Monterrey Single Control Centerset. Metal lever handle. Less pop-up drain. 0.35 gpm/1.9L/min. maximum flow rate.	
6114.115	Monterrey Single Control Centerset. Metal lever handle. Metal pop-up drain. 0.5 gpm/1.9L/min. maximum flow rate.	
6114.116	Monterrey Single Control Centerset. Metal lever handle. Less pop-up drain. 0.5 gpm/1.9L/min. maximum flow rate.	

 Meets the American Disabilities Act Guidelines and **ANSI A117.1** Requirements for the physically challenged.