



**PRODUCT FEATURES:**

- **Flexible Selectronic® Platform** with programmable, multi-function sensor.
- **Hygienic, touch-free operation**
- **Field-convertible rigid/swivel tubular brass gooseneck spout**
- **Easy & Flexible Installation:** Single post mounting with optional 4" & 8" deck plate. Water resistant solenoid enclosure mounts to wall.
- **Durable Vandal-Resistant Brass Body:** Ideal for high-use commercial applications.
- **Self-Cleaning Solenoid Valve:** Wiper spring prevents clogging
- **Easy to Service Integrated Strainer:** Patented integrated strainer protects solenoid from debris. Strainer is enclosed in removable debris cup for easy service.
- **Optional Auto Purge Feature:** Faucet can be programmed to open at a pre-determined time after last use to purge the faucet and water lines.
- **Safety Timer:** Helps prevent vandalism by turning off the faucet if the sensor is covered for 55 seconds or more. Timing is adjustable with optional remote control.
- **Adjustable Range:** Detection zone can be adjusted manually or with optional remote control.
- **Fail-Safe:** Faucet automatically shuts off upon loss of power or dead battery. Prevents costly excess water usage and potential flooding.
- **Lead-Free:** Faucet contains  $\leq 0.25\%$  total lead content by weighted average.

**GENERAL DESCRIPTION:**

Electronic faucet with proximity operation. Vandal-resistant brass construction with single post mounting. Water pressure range from 20 to 125 psi. Single inlet. Field-convertible rigid/swivel gooseneck spout. 18" flexible stainless steel hose with 3/8" compression fitting for connection to control box.

**RECOMMENDED SPECIFICATION:**

Electronic, sensor-operated lavatory faucet shall feature a programmable, multi-function sensor and an electronically operated self-cleaning solenoid valve. Shall also feature a vandal resistant solid brass construction with single inlet and in-line strainer. Field-convertible rigid/swivel gooseneck spout. Shall meet ANSI A112.18.1 and ANSI 117.1 codes. Fitting shall be American Standard Modl # 605B\_16\_.

**MODEL NUMBER:**

■ **BASE UNIT (Does not include power supply)**

- 605B.165** 0.5 GPM pressure compensating, vandal-resistant multi-laminar spray.
- 605B.164** 0.35 GPM pressure compensating, vandal-resistant multi-laminar spray. Faucet is factory set for 7.5 second running time to deliver 0.044 gallons per cycle.
- 605B.163** 1.5 GPM pressure compensating, vandal-resistant laminar flow outlet.

■ **POWER KITS (Must be purchased separately)**

- PK00.PAC** Includes universal Plug-In AC power supply.
- PK00.MAC** Includes Y-splitter and 10' extension cable.
- PK00.HAC** Includes universal Hard-Wired AC transformer and 10' extension cable.

■ **OPTIONAL Battery Back-Up**

- PK00.BBU** Allows faucet to continuously operate during a power failure.

■ **OPTIONAL 4" or 8" Deck plates**

- 605P.400** 4" brass deck plate with 1/4" fixation studs and quick spin nuts. (6-1/8"x 2-1/8"x 1/2")
- 605P.800** 8" brass deck plate with 1/4" fixation studs and quick spin nuts. (10-1/8"x2-3/8"x1/2")

■ **OPTIONAL Mixing Valve**

- 605XTMV1070** Thermostatic mixing valve. 20" flexible stainless steel inlet hoses with 3/8" compression fittings. ASSE 1070 certified down to 0.35 gpm.

**POWER OPTIONS:**

- **Universal Voltage:** 100 - 240 VAC, 50/60 Hz
- **Plug-In AC:** Includes Class 2 UL certified universal Plug-In AC power supply with 6' long power cord.
- **Hard-Wired AC:** Includes Class 2 UL certified universal Hard-Wired AC transformer (electrical box by others).
- **Multi-AC:** One AC transformer can power up to 15 faucets and/or flush valves in a daisy chain configuration. **POWER SUPPLY NOT INCLUDED.**

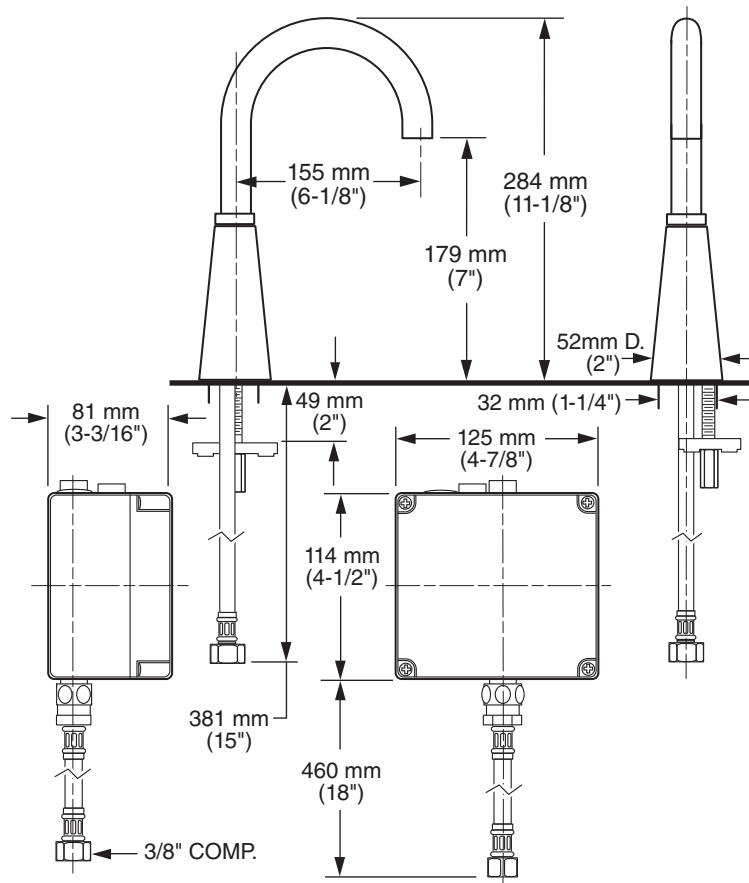
**CODES AND STANDARDS**


These products meet or exceed the following codes and standards:

- ANSI A117.1
- ASME A112.18.1
- CSA B125.1
- NSF 372

Other Aerators Available:	
Part Suffix	Description
V035	0.35 gpm (1.3 Lpm) PCA Vandal-Resistant Non-Aerated Spray
LV10	1.0 gpm (3.8 Lpm) PCA Vandal-Resistant Non-Aerated Laminar Flow Outlet
L22	2.2 gpm (8.3 Lpm) PCA Vandal-Resistant Non-Aerated Laminar Flow Outlet

PCA - PRESSURE COMPENSATING



 Meets the American Disabilities Act Guidelines and **ANSI A117.1** Requirements for accessible and usable building facilities - check local codes

PART OF **LIXIL**