

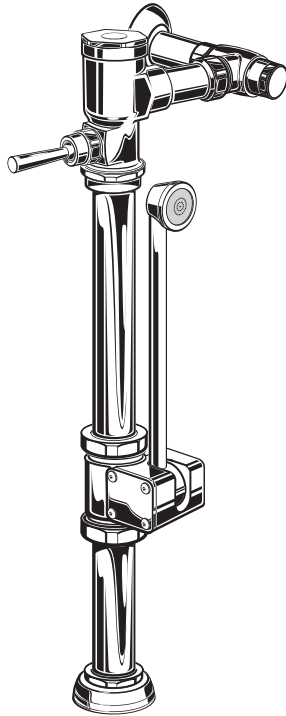
Installation Instructions

MANUAL FLUSH VALVE with BEDPAN WASHER

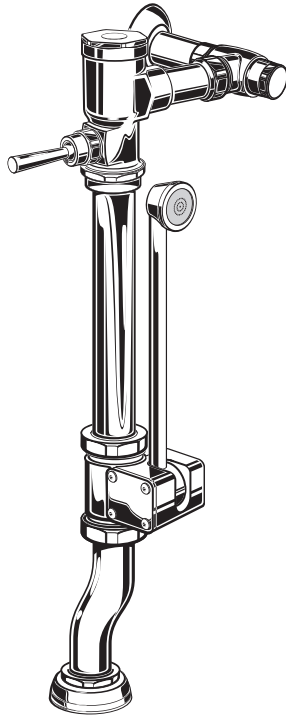
For Use with 1-1/2" Top Spud Toilets

MODEL NUMBERS

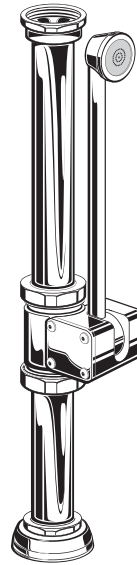
6047.8XX



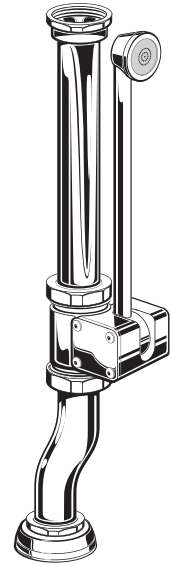
6047.860 (1.6gpf)
6047.820 (1.28gpf)



6047.821 (1.28gpf)
6047.861 (1.6gpf)



6047.800



6047.815

Certified to comply with:

- ASSE 1037
- CSA B125.3
- ADA Compliant

© 2013 AS America, Inc.

M965403 REV. 1.4

American Standard

NOTE TO INSTALLER: Please give this manual to the customer after installation.

To learn more about American Standard Faucets visit our website at: www.americanstandard.com
or U.S. customer's e-mail us at: faucetsupport@americanstandard.com

For Parts, Service, Warranty or other Assistance,
please call **1-800-442-1902 (In Canada: 1-800-387-0369)**
(In Toronto Area only: 1-905-3061093)

Thank you for selecting American-Standard...the benchmark of fine quality for over 100 years. To ensure that your installation proceeds smoothly--please read these instructions carefully before you begin.

UNPACKING

All American Standard Products Are Water Tested At Our Factory.
Some Residual Water May Remain In The Valve During Shipping.

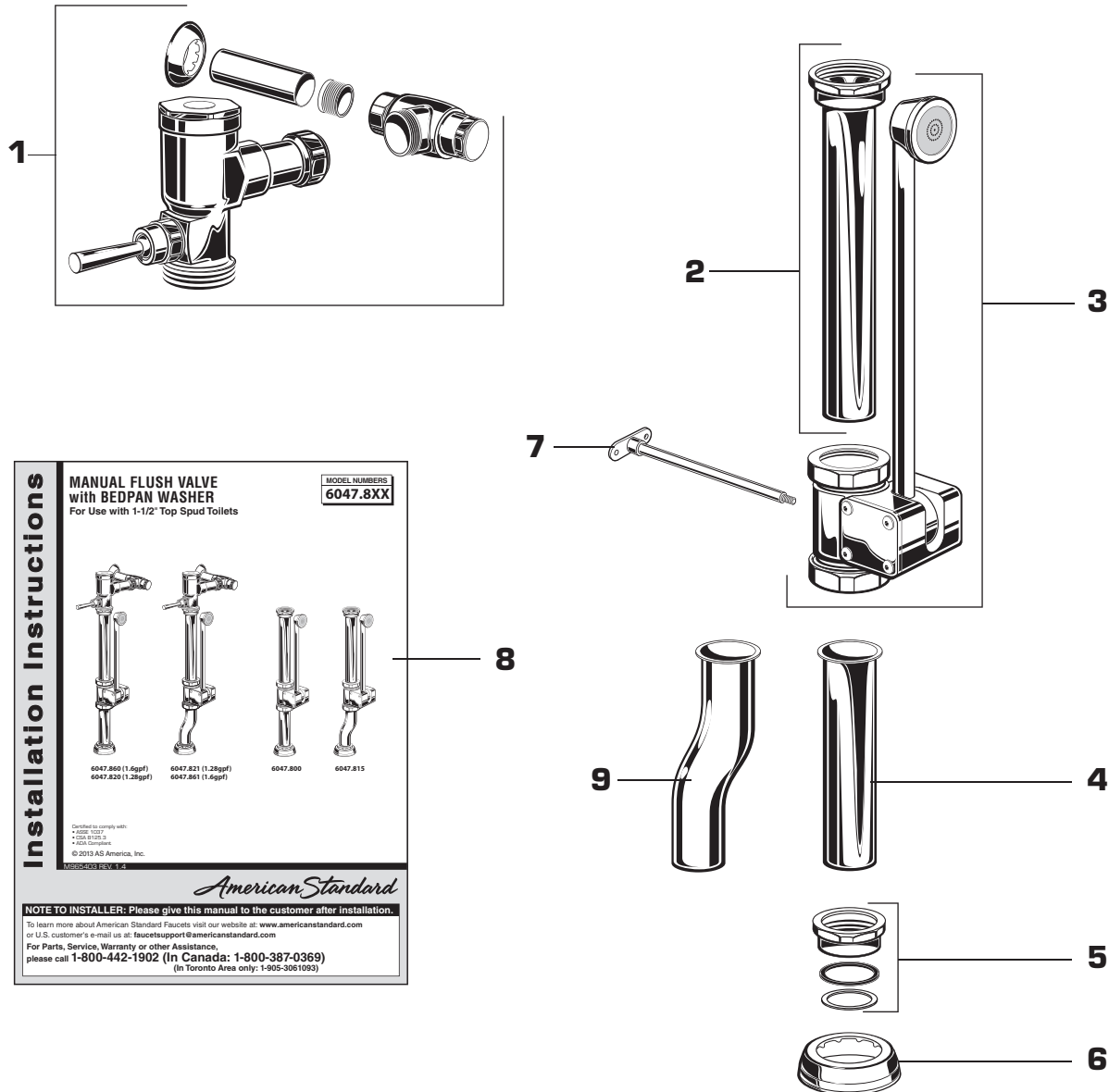
1. Remove the Bedpan Washer items from the carton. The illustration below shows all items after they have been removed from the carton. Some items may be packaged partially assembled to other items.

- | | |
|--|---|
| 1. Flush Valve Assembly
(6047.820/.821) (6047.860/.861) | 5. Spud Coupling Nut and Washers |
| 2. Down Tube and Vacuum Breaker | 6. Spud Flange |
| 3. Diverter assembly | 7. Wall Support |
| 4. Straight Tailpiece | 8. Installation Instructions |
| | 9. 1-1/2" Offset Tailpiece (6047.861/.821/.815) |

CARE INSTRUCTIONS:

DO: SIMPLY RINSE THE PRODUCT CLEAN WITH CLEAR WATER. DRY WITH A SOFT COTTON FLANNEL CLOTH.

DO NOT: DO NOT CLEAN THE PRODUCT WITH SOAPS, ACID, POLISH, ABRASIVES, HARSH CLEANERS, OR A CLOTH WITH A COARSE SURFACE.



MANUAL FLUSH VALVE with BEDPAN WASHER
For Use with 1-1/2" Top Spud Toilets

MODEL NUMBERS
6047.8XX

Certified to comply with:
 • ASME 1013
 • CSA B125.3
 • CSA C22.2
 © 2013 AS America, Inc.
 MS05-403 REV. 1.4

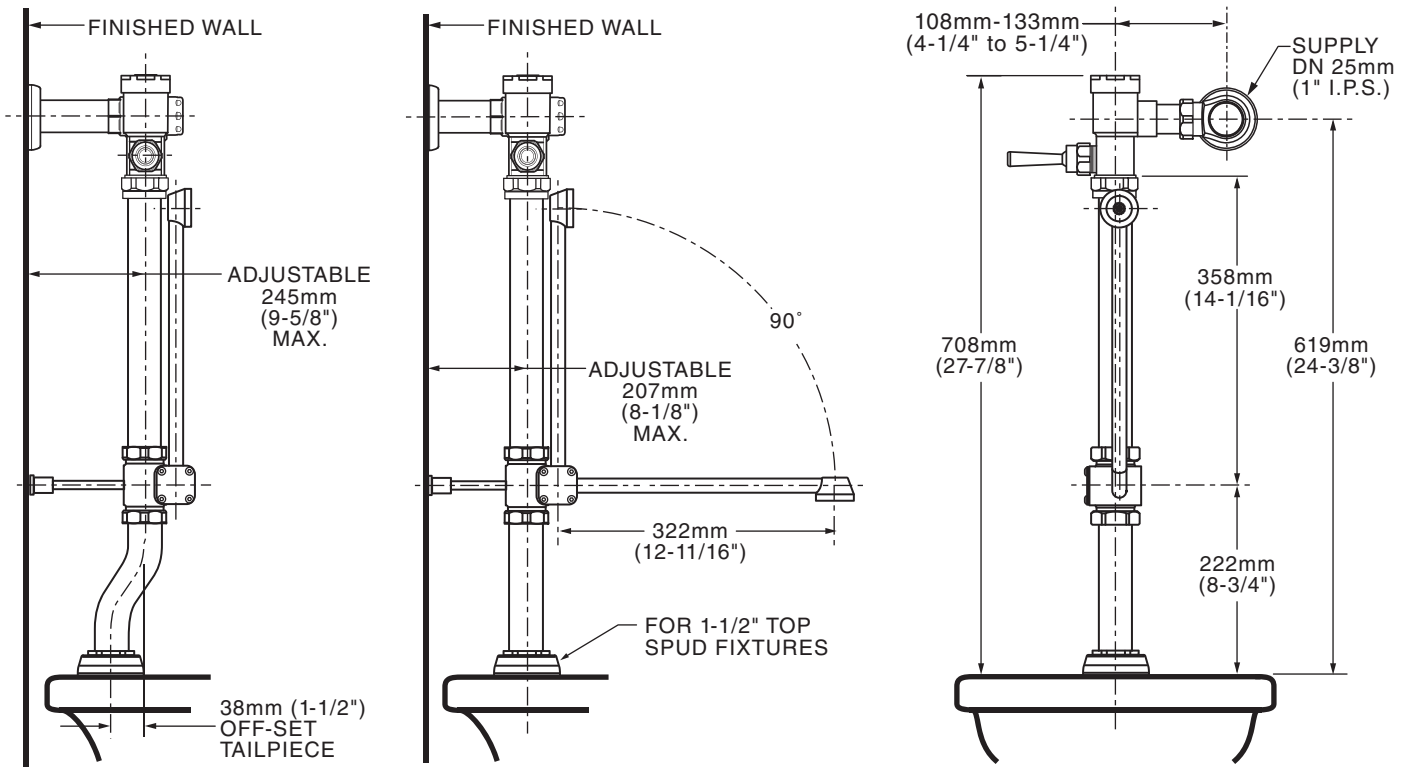
American Standard

NOTE TO INSTALLER: Please give this manual to the customer after installation.

To learn more about American Standard Faucets visit our website at: www.americanstandard.com
 or U.S. customer's e-mail us at: faucet-support@americanstandard.com
 For Parts, Service, Warranty or other Assistance, please call **1-800-442-1902 (In Canada: 1-800-387-0369)**
 (In Toronto Area only: 1-905-3061093)

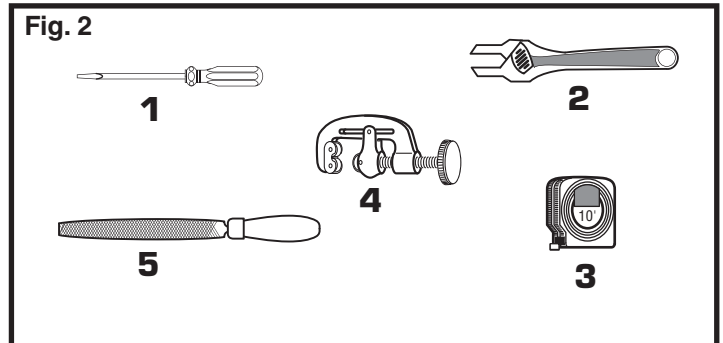
Fig. 1
Roughing-in Dimensions

GENERAL DESCRIPTION:
FLUSH VALVE with BEDPAN WASHER
For Use with Exposed Flushometer
and 1-1/2" Top Spud Toilets



RECOMMENDED TOOLS; Fig. 2

1. Flat Blade Screwdriver
2. Smooth Jaw Adjustable Wrench
3. Tape Measure
4. Tubing Cutter
5. File



PRIOR TO INSTALLATION

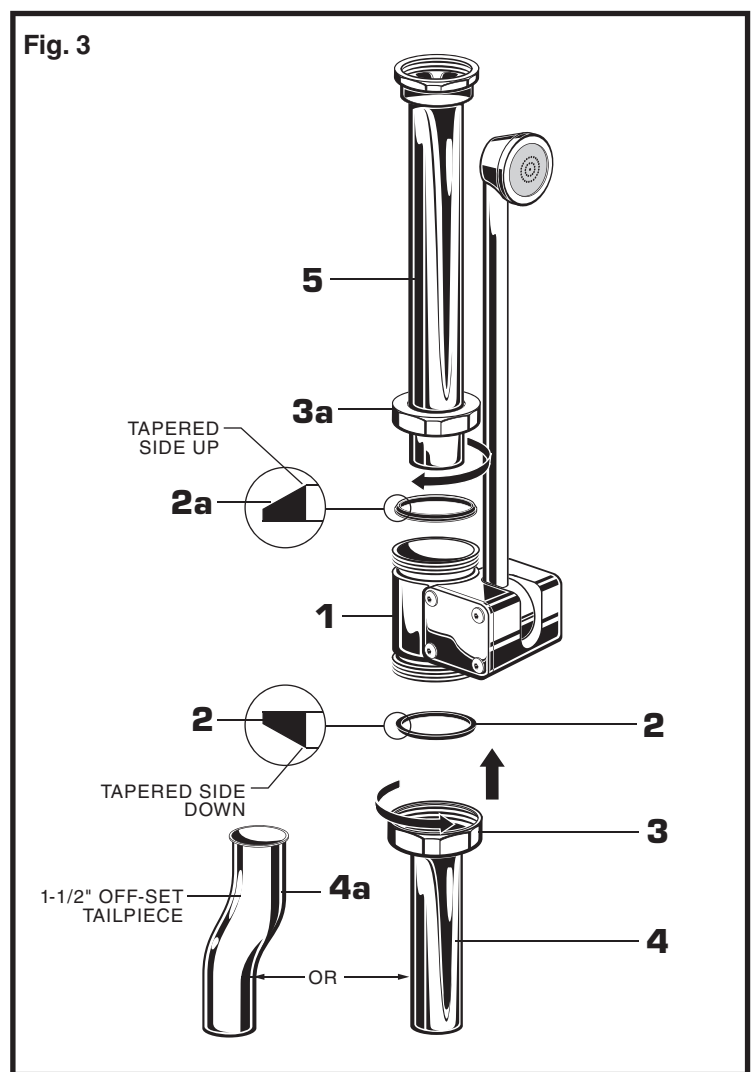
IMPORTANT:

- All plumbing must be installed in accordance with applicable codes and regulations.
- Water supply lines must be sized to provide an adequate volume of water for each fixture.
- Water pressure over 80 psi is not recommended with most plumbing fixtures

- Flush all water lines prior to operation.
- DO NOT use pipe sealant or plumbing grease on any coupling!
- Protect the chrome or special finish on the Bedpan Washer. DO NOT USE toothed tools on finished surfaces to install or service these valves. Also see "Care and Cleaning" section of this manual.

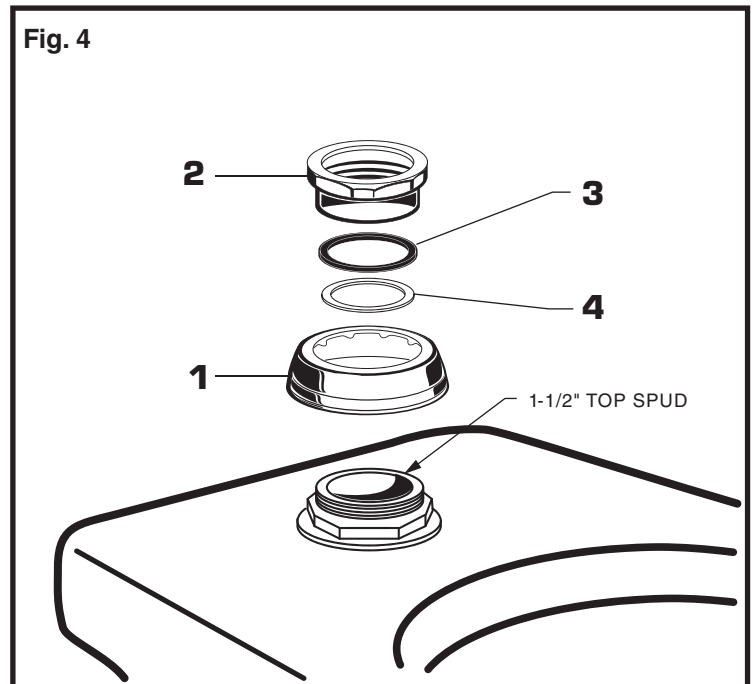
1 INSTALL TAILPIECE and DOWN TUBE with VACUUM BREAKER; Fig. 3

1. Slide the COUPLING NUT (3) onto the TAIPIECE (4 or 4a). Place SEAL WASHER (2) with the tapered side facing down into the COUPLING NUT (3).
2. Thread and tighten COUPLING NUT (3) to DIVERTER ASSEMBLY (1).
3. Slide COUPLING NUT (3a) onto the DOWN TUBE (5). Place SEAL WASHER (2a) with the tapered side facing up into the COUPLING NUT (3a).
4. Thread and tighten COUPLING NUT (3a) to DIVERTER ASSEMBLY (1).



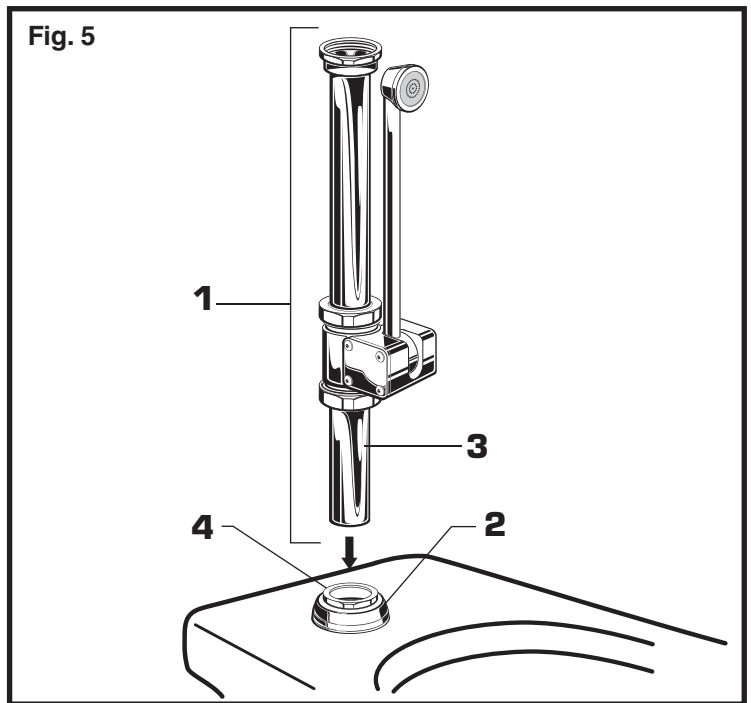
2 INSTALL SPUD FLANGE COUPLING; Fig. 4

1. Place the SPUD FLANGE (1) over the spud on the Fixture.
2. Thread SPUD COUPLING NUT (2) onto Spud. Make sure SEAL WASHER (3) and FRICTION WASHER (4) are installed. Do not tighten fully.



3 INSTALL BEDPAN WASHER; Fig. 5

1. Install BEDPAN WASHER ASSEMBLY (1) into SPUD ASSEMBLY (2) on fixture. Push the ASSEMBLY (1) down until the TAILPIECE (3) seats on the internal stop. Do not fully tighten SPUD COUPLING NUT (4).
2. TAILPIECE (3) may be cut to obtain the correct rough-in dimensions for flush valve.

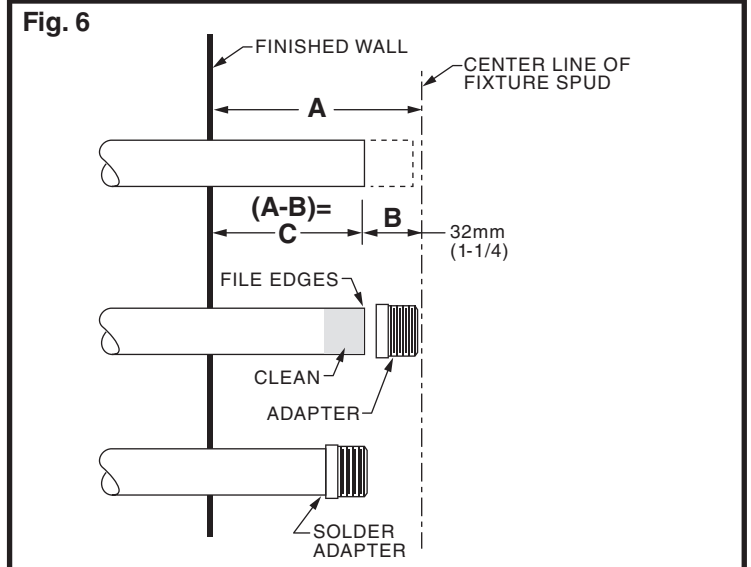


4 INSTALLATION OF FLUSH VALVE (6047.820 / 6047.860 Only) Fig. 6

CAUTION Turn water supplies off before beginning

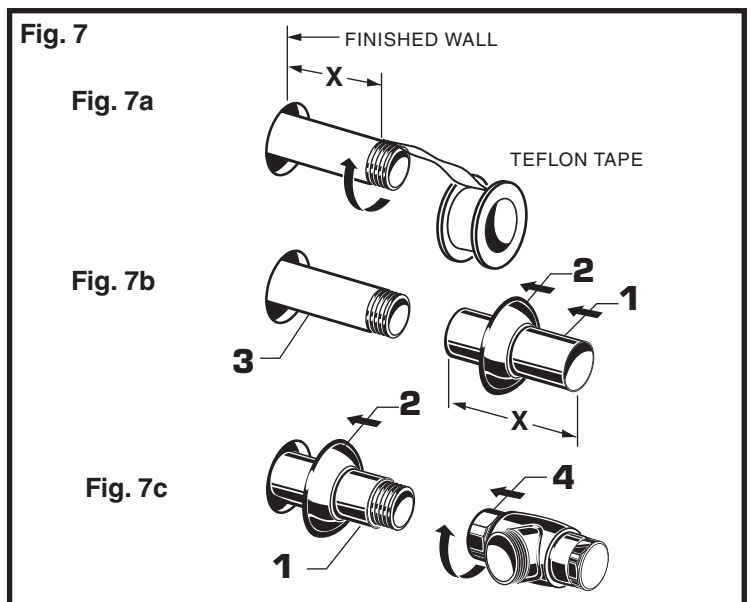
Note: Install Optional Sweat Solder Adapter (Supplied) for copper pipe supply line. Fig. 6.

1. Measure the distance (A) from the finished wall to the center of the inlet spud on the fixture.
2. Cut the supply pipe 1-1/4" (A-B=C) shorter than the measurement taken in Step 1. File any rough edges of the end of the supply pipe.
3. Clean the end of the supply pipe. Push the threaded Adapter on until it is seated against the internal stop. Sweat the Adapter to the pipe.



5 INSTALL COVER TUBE, WALL ESCUTCHEON and SUPPLY STOP; Fig. 7

1. Measure from finished wall to first thread of Adapter or threaded supply pipe (dimension "X"). Cut COVER TUBE (1) to length (X). Apply Teflon Tape to the threaded end of the Adapter or supply pipe. Fig. 7a.
2. Push the COVER TUBE (1) into the WALL ESCUTCHEON (2). Slide both onto the SUPPLY PIPE (3). Fig. 7b.
3. Push the COVER TUBE (1) in, to expose the threads of the supply pipe. Fig. 7c. With a wrench thread the SUPPLY STOP (4) onto the SUPPLY PIPE (3). Align and tighten. Fig. 7c.
4. Pull COVER TUBE (1) against SUPPLY STOP (4) and push WALL ESCUTCHEON (2) against finished wall. Fig. 7c.



6 INSTALL FLUSH VALVE; Fig. 8 & 8a

1. As shown in **Fig. 8**, insert the side INLET FLANGE (1) on the FLUSH VALVE (2) into the SUPPLY STOP (3). Lubricate the INLET FLANGE O-RING (4) with water if necessary. Lightly tighten COUPLING NUT (5). **Fig. 8.** **Important: Do not use lubricants (other than water) or any type of thread sealing paste or tape.**

2. Align the FLUSH VALVE (2) (**Fig. 8a**) directly above the DOWN TUBE (7) and VACUUM BREAKER COUPLING NUT (6).

Note: There is a 13mm, (1/2) tolerance for the 121mm (4-3/4) dimension.†Fig. 8a.

3. Pull the DOWN TUBE (7) up to meet the threaded FLUSH VALVE CONNECTION (8) and hand tighten the VACUUM BREAKER COUPLING NUT (6). Align all components of the flush valve assembly. **Fig. 8a.**

4. Lightly tighten the COUPLING NUT (5) connection first, then the VACUUM BREAKER COUPLING NUT (6) and finally the SPUD COUPLING NUT (9). **Fig. 8a.**

Fig. 8

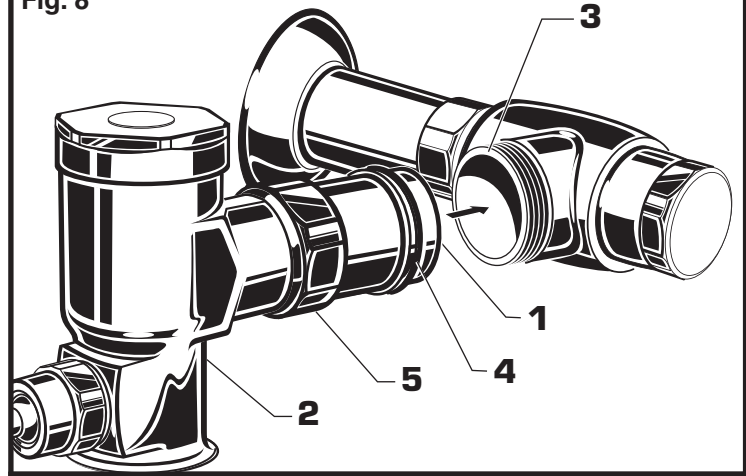
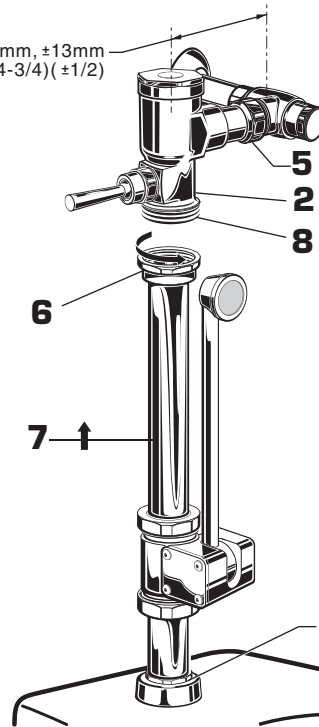


Fig. 8a

121mm, ±13mm
(4-3/4) (±1/2)



7 INSTALL SUPPORT BRACE; Fig. 9

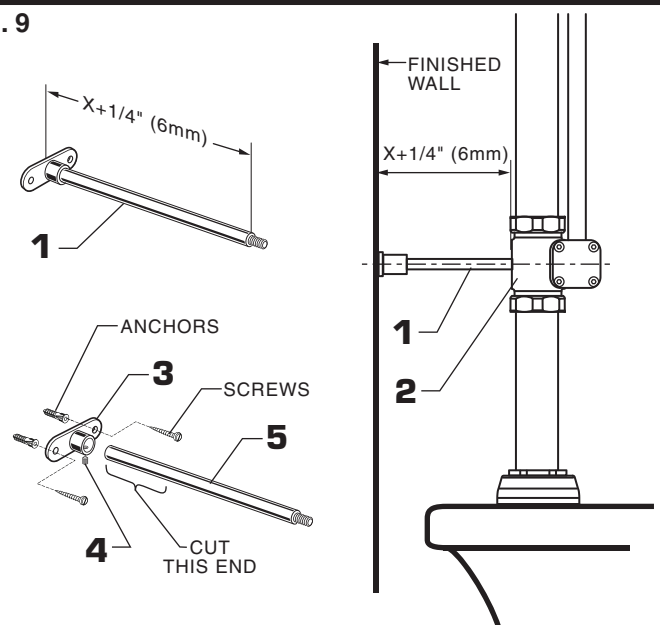
1. Determine required length of SUPPORT BRACE (1) by measuring the distance between finished wall and back of the DIVERTER VALVE (2) at support rod hole. Add 1/4" (6mm) to the length determined and cut the SUPPORT ROD (5) to size.

2. Rotate the DIVERTER VALVE (2) to allow threading SUPPORT ROD (5) into back of diverter body. Slide wall SUPPORT ROD FLANGE (3) onto SUPPORT ROD (5) and rotate the DIVERTER VALVE (2) so that the wall SUPPORT ROD FLANGE (3) is flush with the wall.

3. Using the SUPPORT ROD FLANGE (3), mark the two holes on the finished wall for the mounting screws and anchors. Rotate the DIVERTER VALVE (2) to the side and drill two 5/16" holes in the finished wall 1-1/4" deep.

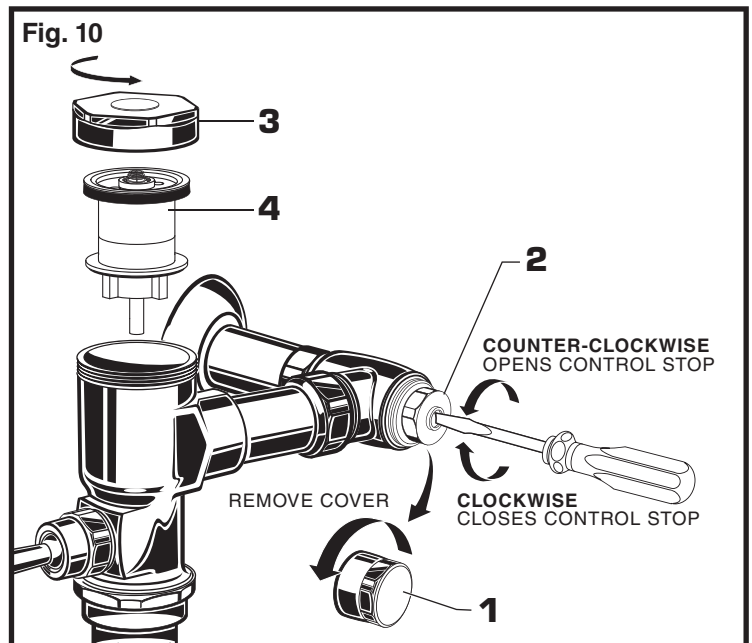
4. Rotate the DIVERTER VALVE (2) and align the SUPPORT ROD FLANGE (3). Secure the FLANGE with two Anchors and Screws (not provided). Tighten SET SCREW (4). Once aligned correctly, use a wrench to tighten couplings to make water tight connections.

Fig. 9



8 FLUSH OUT SUPPLY LINES; Fig. 10

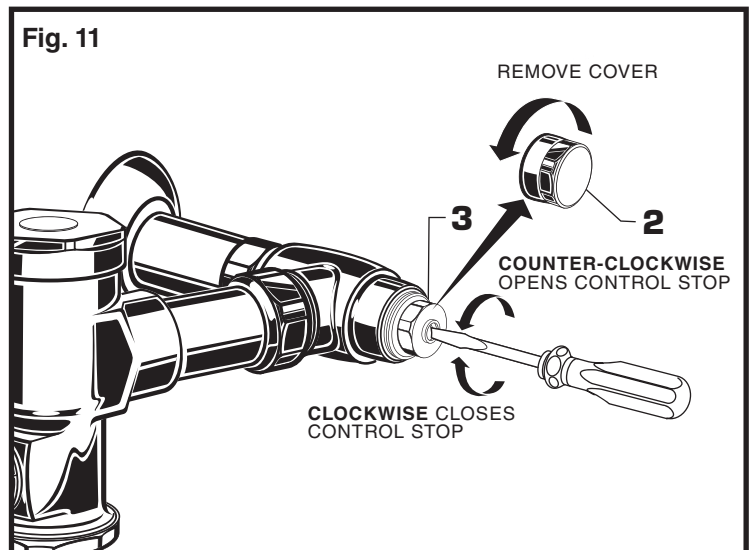
1. Remove COVER (1) from SUPPLY STOP (2). Make sure supply stop is closed.
2. Remove FLUSH VALVE CAP (3). Pull out PISTON (4). Replace FLUSH VALVE CAP (3) and tighten.
3. With a flat blade screwdriver open SUPPLY STOP (2) to flush line of any debris or sediment.
4. Close SUPPLY STOP (2). Remove FLUSH VALVE CAP (3). Replace PISTON (4). Replace FLUSH VALVE CAP (3) and tighten.



9 ADJUST SUPPLY STOP; Fig. 11

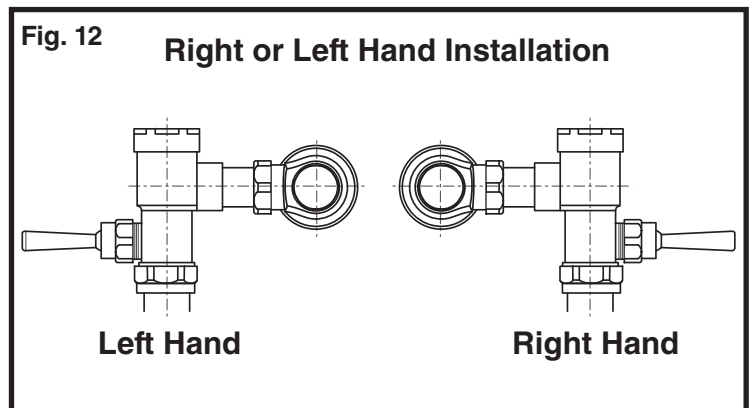
IMPORTANT: To avoid overflowing, the SUPPLY STOP (3) must never be opened to the point where the flow from the valve exceeds the flow capacity of the fixture. The fixture and drain must be able to handle a continuous flow in case of a flush valve failure. Valve is designed to provide stated flush volume with a 25 GPM flow rate.

1. Remove COVER (2) from SUPPLY STOP (3). Turn on water supply 1/4 turn to 1/2 turn (CCW) and test for leaks. **Note: Unit may flush for approximately 5 to 10 sec. when water is first turned on.**
2. Actuate the FLUSH VALVE by pulling handle down.
3. Adjust SUPPLY STOP (3) after each flush until the stated flush volume is achieved, no splashing occurs and the fixture is properly cleansed.
4. When adjustment is complete, replace COVER (2) and tighten to ensure vandal-resistance.



10 LEFT OR RIGHT HAND INSTALLATION; Fig. 12

1. The FLUSH VALVE can be installed either as a right or left hand installation.
2. Orientate the FLUSH VALVE as shown in Fig. 12 to desired position for a left or right hand installation.



1 TEST INSTALLED BEDPAN WASHER; Fig. 13

1. Check alignment of FLUSH VALVE (1) and DIVERTER VALVE ASSEMBLY (2) and fully tighten all connections.
2. Push the DIVERTER ARM and SPRAY (3) down, parallel to the toilet rim. Flush the toilet to activate the SPRAY (4).
3. Check all connections for leaks. ➡
4. Return the DIVERTER ARM and SPRAY (3) to the up-right position.

