

KPF-1610

Single Lever Commercial Style Pull-Pull Down Kitchen Faucet

Chrome / Stainless Steel / Stainless Steel Chrome /
Matte Black / Stainless Steel Matte Black Finishes

Kräus®

SPECIFICATION SHEET

Material

Body: Brass
Handle: Zinc
Sprayer: ABS
Waterway: Braided Nylon

Spout

Swivel: 180
Design: Commercial Spring
Pull Down

Sprayhead

Flow Rate: 1.8 gpm (6.8L/min) @ 60 psi
Aerator: Neoperl
Name: Cache Perlator Honeycomb
Function: Spray/Stream
Nozzles: Easy Clean Rubber Nozzles
Docking: Secure

Cartridge

Brand: Kerox
Size: 35mm
Style: Lever

Mounting

Holes: 1 Hole
Type: Brass Nut

Waterlines

Type : CAE
Flexible
Connections: 3/8"
Materials: Braided Stainless Steel
Included
Factory Installed

Dimensions

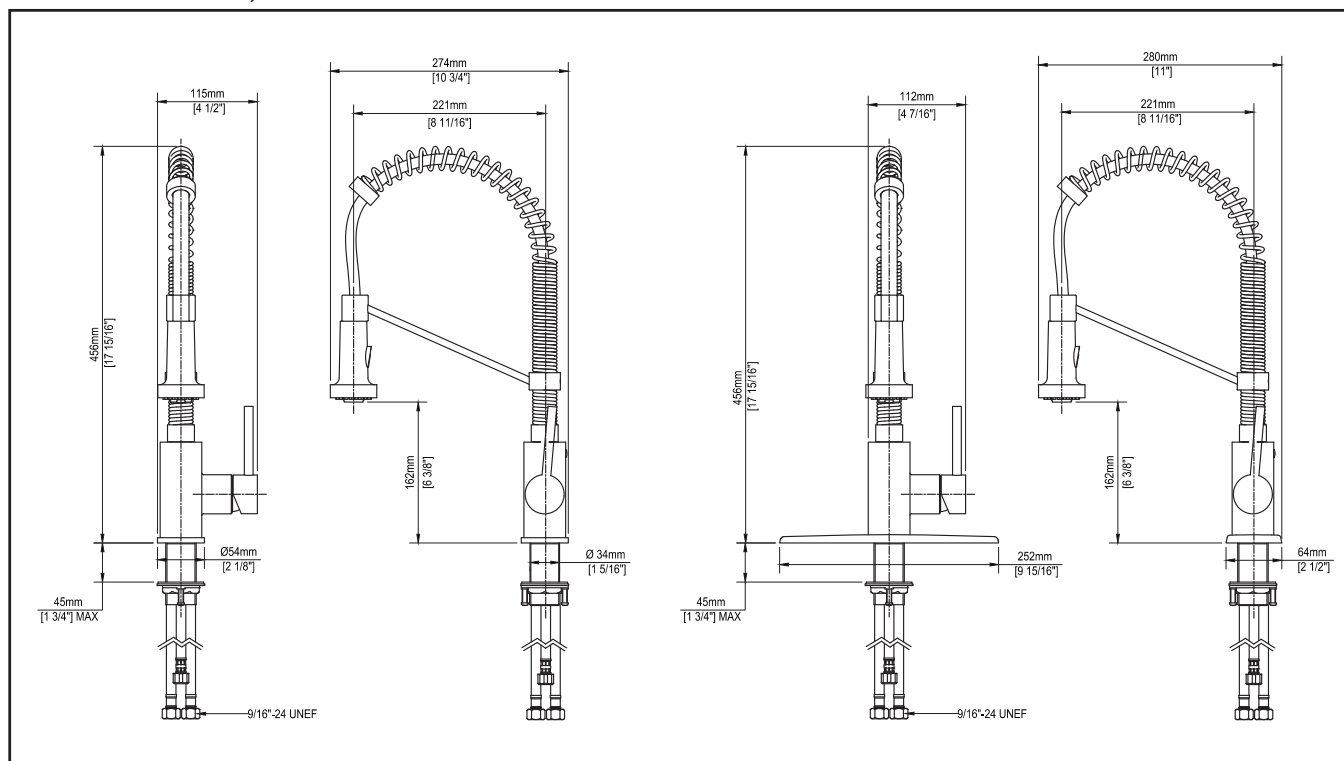
Overall Height: 18"
Spout Height: 6 3/8"
Spout Reach: 8 11/16"

Accessories Included

Weight, Hex Wrench, Escutcheon Plate (Sold Separately)

Kraus Lifetime Limited Warranty: See website for details www.kraususa.com

1.800.775.0703 / customerservice@kraususa.com



Listing: cUPC, NSF 61, NSF 372, AB1953, EPA, CALGreen, MASS, FTC, DOE, CEC, ADA

REV. August 7, 2017

KSD-53

Kraus Kitchen Soap Dispenser

Kräus[®]
SPECIFICATION SHEET

Chrome / Stainless Steel / Spot Free all-Brite™ Stainless Steel /
Oil Rubbed Bronze / Matte Black Finishes

Material

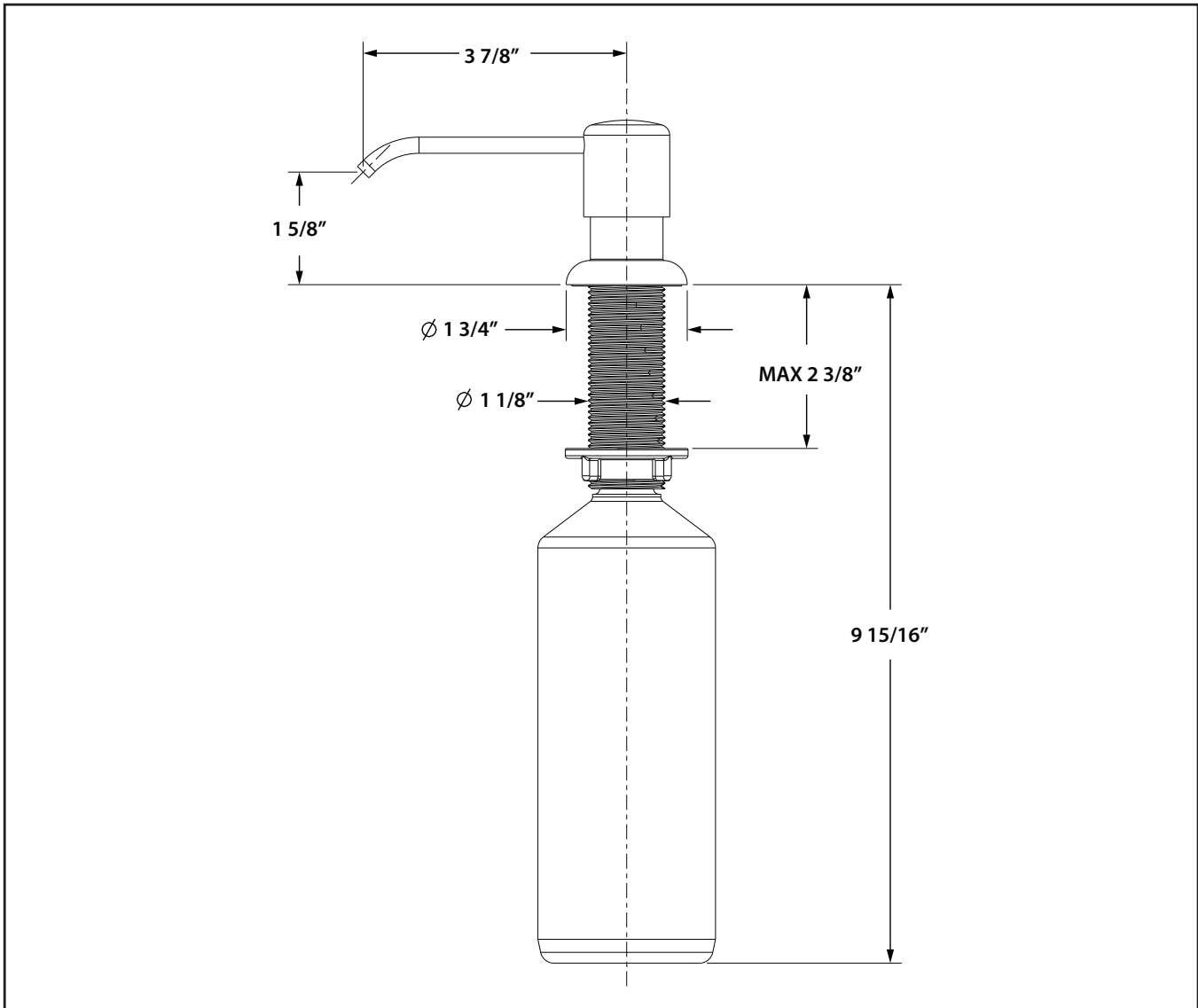
Brass

Features

- Solid brass construction
- Self-priming pump
- Refillable from above
- Holds up to 17 oz. of liquid
- Pump: 1 5/8"
- Spout: 3 7/8"

Kraus Lifetime Limited Warranty: See website for details www.kraususa.com

1.800.775.0703 / customerservice@kraususa.com



Pax™ Zero Radius Series / KHU24L

Handmade Undermount Single Laundry & Utility Sink

Satin Finish

Kräus®

SPECIFICATION SHEET

Material

18 Gauge Stainless Steel

Installation Type

Undermount

Bowl Type

Single Bowl Laundry Sink

Handmade

Technology

Noise Defend

EZ Stack

Minimum Cabinet Size

Undermount : 27"

Dimensions

Sink Dimensions: 24" x 18 1/2" x 12"

Drain Opening: 3 1/2" x 3 1/2"

Accessories Included

ST-3, Mounting Hardware, Template, Towel

Optional Accessories

Garbage Disposal Adapter: GDA-1

Kraus Limited Lifetime Warranty: See website for details www.kraususa.com

1.800.775.0703 / customerservice@kraususa.com

