



A Moen Incorporated Brand

*There is more than 1 version of this model.
Page down to identify the version you have.*

Models:
CA40710 1H Lav with metal waste
CA40711 1H Lav with 50/50 waste
CA40717 1H Lav less waste



One Handle Lavatory With Metal Waste

DESCRIPTION

- Metal construction with various finishes identified by suffix
- Includes 17ga brass or 50/50 pop-up type waste assembly where noted
- 1/2" IPS connections
- Six (6) individual boxes per master carton
- Features red/blue hot/cold temperature indicator

OPERATION

- Pivot action, lever style handle
- Temperature control by 90° arc
- Will operate with less than 5 lbs. of torque
- No grasping motion required to operate the faucet handle

FLOW

- Water usage is limited to these maximum flow rates as indicated by the corresponding product markings
 - 1.2 gpm max (4.5L/min) at 60 psi
 - 1.5 gpm max (5.7L/min) at 60 psi

CARTRIDGE

- European ceramic disc technology
- Non-metallic, non-ferrous, and plastic material
- Single body construction for easy replacement

STANDARDS

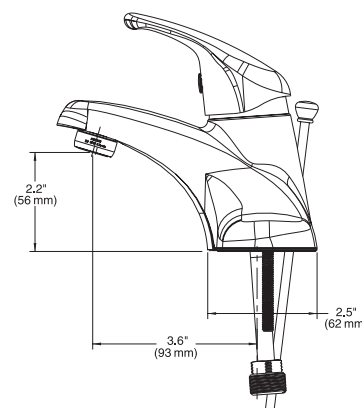
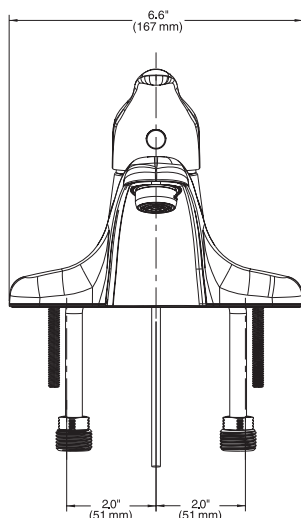
- Third party certified to WaterSense, ASME A112.18.1/CSA B125.1, NSF 61/9 & 372, and all applicable requirements referenced therein, the Federal Safe Drinking Water Act, California Proposition 65, Illinois, Massachusetts, and Texas
- Complies with California Proposition 65 and with the Federal Safe Drinking Water Act
- ADA for lever handles

WARRANTY - RESIDENTIAL, COMMERCIAL

- Ten year limited warranty against defects in materials and manufacturing workmanship
- Refer to the installation instructions enclosed with each CFG product or call 1-888-450-4910 for complete warranty information

CRITICAL DIMENSIONS

- NOTE: This faucet is designed to be installed through 3 holes, 1" minimum diameter, 4" centers
- Maximum deck thickness 1.375" (35 mm) - Spacer provided, discard spacer if deck thickness exceeds 0.625" (15.9 mm)



CRITICAL DIMENSIONS

(DO NOT SCALE)



A Moen Incorporated Brand

Models:
CA40710 1H Lav with metal waste
CA40711 1H Lav with 50/50 waste
CA40717 1H Lav less waste



One Handle Lavatory With Metal Waste

DESCRIPTION

- Metal construction with various finishes identified by suffix
- Includes 17ga brass or 50/50 pop-up type waste assembly where noted
- 1/2" IPS connections
- Six (6) individual boxes per master carton
- Features red/blue hot/cold temperature indicator

OPERATION

- Pivot action, lever style handle
- Temperature control by 90° arc
- Will operate with less than 5 lbs. of torque
- No grasping motion required to operate the faucet handle

FLOW

- Flow is limited to 1.5 gpm max. (5.7L/min) at 60 psi, for products made before October 2008 flow is limited to 2.2 gpm max. (8.3L/min)

CARTRIDGE

- European ceramic disc technology
- Non-metallic, non-ferrous, and plastic material
- Single body construction for easy replacement

STANDARDS

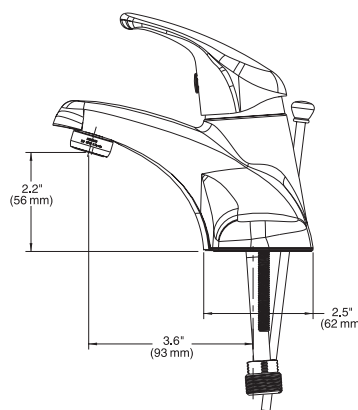
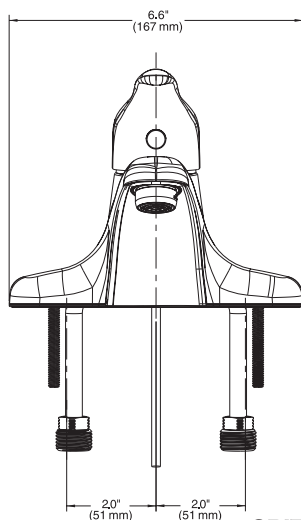
- Third party certified to WaterSense, ASME A112.18.1/CSA B125.1, NSF 61/9 & 372, and all applicable requirements referenced therein, the Federal Safe Drinking Water Act, California Proposition 65, Illinois, Massachusetts, and Texas
- Complies with California Proposition 65 and with the Federal Safe Drinking Water Act
- ADA for lever handles

WARRANTY - RESIDENTIAL, COMMERCIAL

- Ten year limited warranty against defects in materials and manufacturing workmanship
- Refer to the installation instructions enclosed with each CFG product or call 1-888-450-4910 for complete warranty information

CRITICAL DIMENSIONS

- NOTE: This faucet is designed to be installed through 3 holes, 1" minimum diameter, 4" centers
- Maximum deck thickness 1.375" (35 mm) - Spacer provided, discard spacer if deck thickness exceeds 0.625" (15.9 mm)



CRITICAL DIMENSIONS

(DO NOT SCALE)