

DESCRIPTION

- Brass spout and metal handle construction with chrome finish
- 1/2" IPS connections
- 8" widespread
- Vandal resistant torx head screws on handles
- Vandal resistant aerator

OPERATION

- Lever style handles with hot and cold color indicators
- Hot side counterclockwise to open (clockwise to close)
- Cold side clockwise to open (counterclockwise to close)

FLOW

- Water usage is limited to these maximum flow rates as indicated by the corresponding product markings
 - 1.2 gpm max (4.5L/min) at 60 psi

CARTRIDGE

- Brass shell, ceramic disc cartridge
- 1/4 turn operation

STANDARDS

- Third party certified to WaterSense®, ASME A112.18.1/CSA B125.1 and all applicable requirements referenced therein
- Certified to NSF 61/9 & 372
- Products marked with 1.2 gpm are compliant with California water efficiency regulations
- Complies with California Proposition 65 and with the Federal Safe Drinking Water Act
- ADA ♿ for lever handles

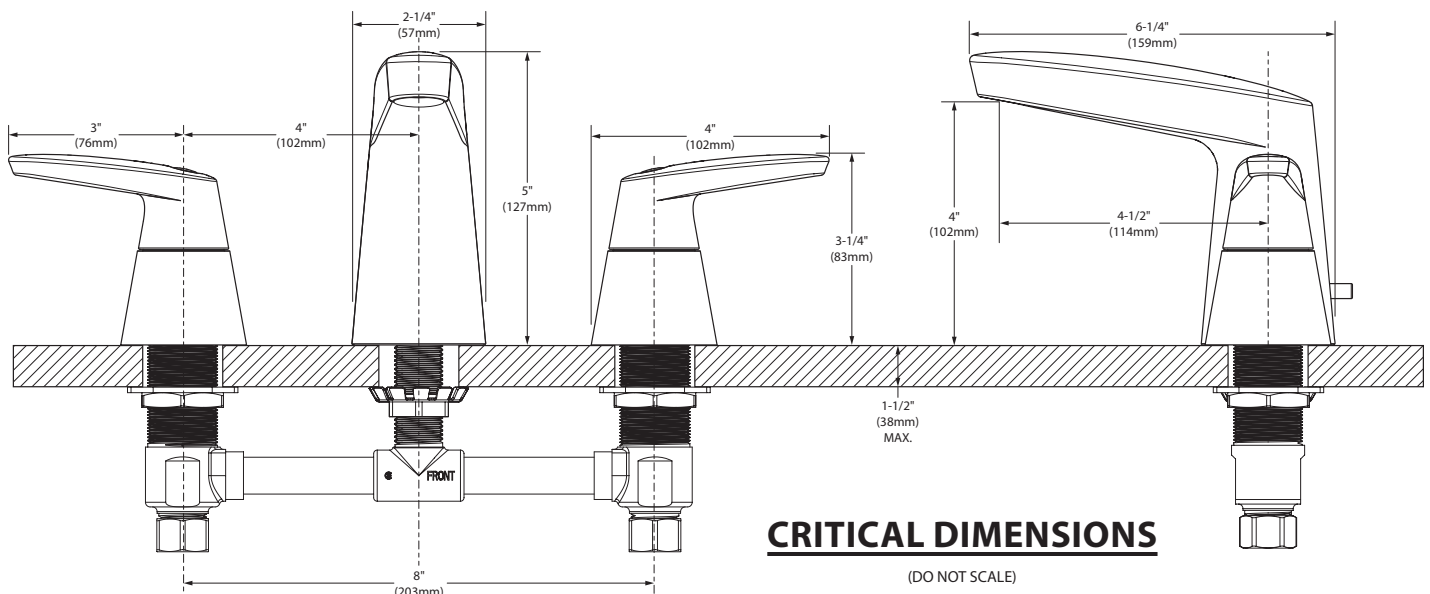
WARRANTY

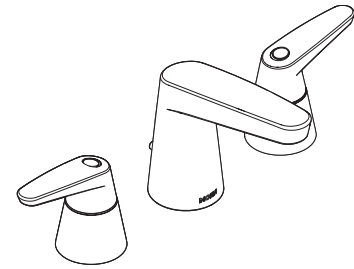
- Warranted for 5 years against material or manufacturing defects

M-Dura™ Widespread Lavatory Faucet

Model	Flow (gpm)	Drain	WaterSense®
9220F12	1.2	Without	X
9223F12	1.2	All Metal	X

NOTE: THIS FAUCET IS DESIGNED TO BE INSTALLED THRU 3 HOLE, 1-1/8" MIN. DIA.





M-Dura™ Widespread Lavatory Faucet

DESCRIPTION

- Brass spout and metal handle construction with chrome finish
- 1/2" IPS connections
- 8" widespread
- Vandal resistant torx head screws on handles
- Vandal resistant aerator

OPERATION

- Lever style handles with hot and cold color indicators
- Hot side counterclockwise to open (clockwise to close)
- Cold side clockwise to open (counterclockwise to close)

FLOW

- Standard aerator is limited to 1.5 gpm max. (5.7 L/min)
- Eco-performance aerator is limited to 0.5 gpm max (1.9 L/min)

CARTRIDGE

- Brass shell, ceramic disc cartridge
- 1/4 turn operation

STANDARDS

- Third party certified to ASME A112.18.1/CSA B125.1 and all applicable requirements referenced therein
- Certified to NSF 61/9 & 372
- Contains no more than 0.25% weighted average lead content
- Complies with California Proposition 65 and with the Federal Safe Drinking Water Act
- ADA for lever handles

WARRANTY

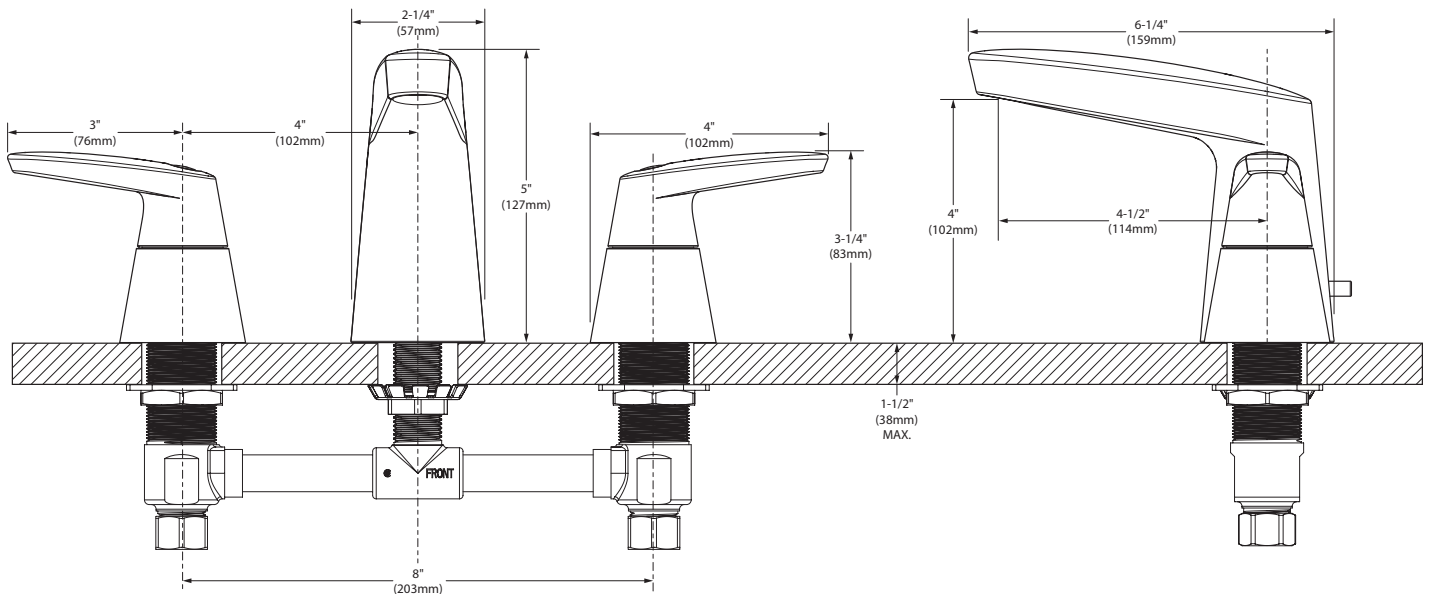
- Warranted for 5 years against material or manufacturing defects

Model	Flow (gpm)	Drain	WaterSense®
9220F15	1.5	Without	X
9220F05	0.5	Without	
9223F15	1.5	All Metal	X
9223F05	0.5	All Metal	

NOTE: THIS FAUCET IS DESIGNED TO BE INSTALLED THRU 3 HOLE, 1-1/8" MIN. DIA.



See table above



CRITICAL DIMENSIONS

(DO NOT SCALE)