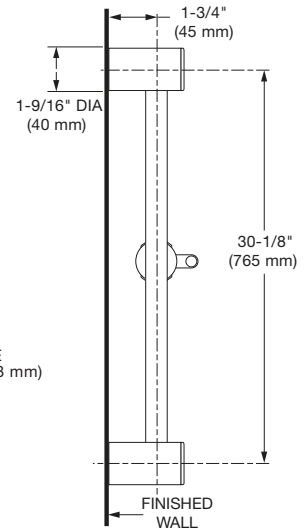
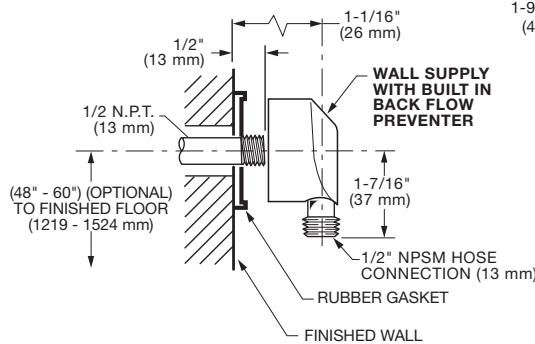
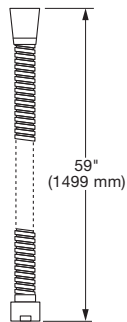
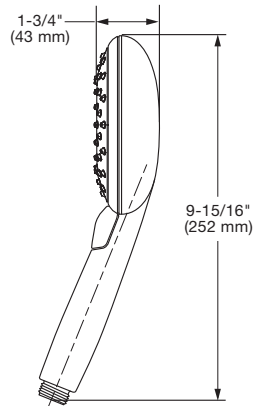


MODEL NUMBER:

☐ **1660.774 Shower System Kit 1.8 version**

Includes:

- Spectra+ Handheld™ 9038.154
- Slide Bar 1660.730
- Hose 8888.035
- Wall Supply 8888.037



GENERAL DESCRIPTION:

Complete shower system kit includes: a wall supply with 1/2" NPT female inlet, 1/2" NPSM male outlet; a 59" (1500 mm) shower hose; a Spectra+ Handheld water saving hand shower; and a 30" all metal slide bar. 5" (127 mm) Hand shower adjusts from Drench to Sensitive to Powerwash® to Massage. Pressure compensating flow control device. Slide bar features an adjustable shower holder which can be set at any height or position along the bar and angle up to 45°. Kit includes double check valves to prevent cross flow of hot and cold water.

PRODUCT FEATURES:

Water Saving: WaterSense certified.

Pressure Compensating Flow Control Device: Provides consistent flow over a wide pressure range.

Variety of Spray Functions: Allows the user to select the spray functions best suited to their needs.

HAND SHOWER

Lightweight, Ergonomic Design: For a sure grip even with wet, soapy hands.

SLIDE BAR

Simple Height Adjustment: Allows positioning of the personal shower anywhere along the bar.



EPA
WATERSENSE®
 CERTIFIED

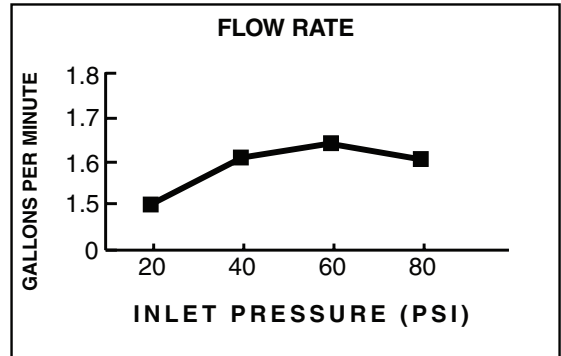
SUGGESTED SPECIFICATION

Shower system shall feature a wall supply with 1/2" NPT female inlets, 1/2" NPSM male outlet, 59" hose, hand shower and a 30" all metal slide bar. Hand Shower shall be WaterSense certified in water usage. Hand Shower shall have a pressure compensating control device. Kit shall include double check valves to prevent cross flow of hot and cold water. Fitting shall be American Standard Model # 1660.774._____.

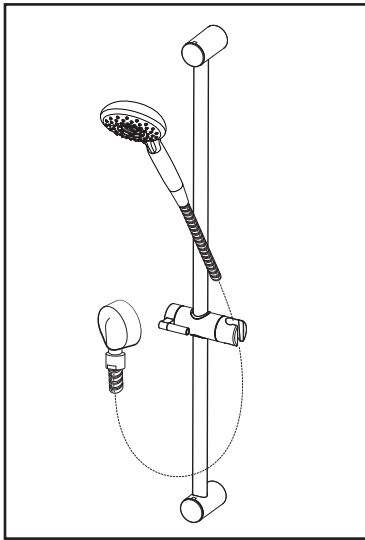
CODES AND STANDARDS

These products meet or exceed the following codes and standards:

ASME A112.18.1
CSA B125.1



Product Number	Description	Finish			
		Brushed Nickel	Polished Nickel	Legacy Bronze	Polished Chrome
		295	013	278	002
1660.774	Spectra+ Handheld™ Kit. Contains Spectra+™ hand shower, slide bar, hose and wall supply.				

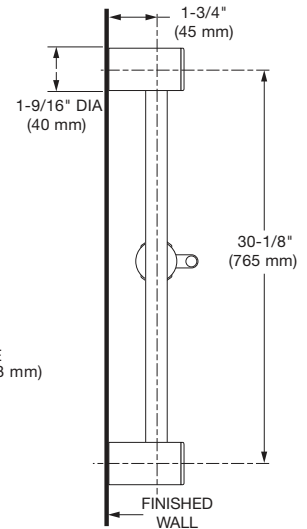
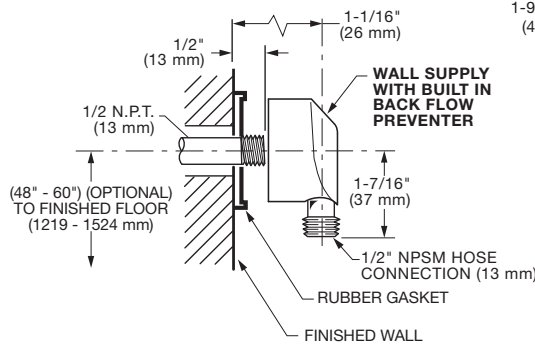
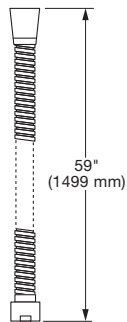
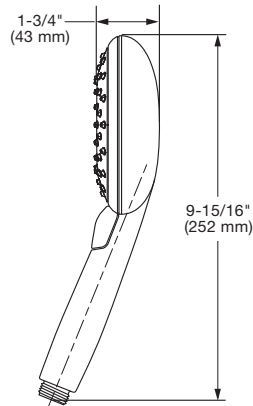


MODEL NUMBER:

☐ **1660.775 Shower System Kit 2.5 version**

Includes:

- | | |
|----------------------|----------|
| • Spectra+ Handheld™ | 9035.154 |
| • Slide Bar | 1660.730 |
| • Hose | 8888.035 |
| • Wall Supply | 8888.037 |



GENERAL DESCRIPTION:

Complete shower system kit includes: a wall supply with 1/2" NPT female inlet, 1/2" NPSM male outlet; a 59" (1500 mm) shower hose; and a 30" all metal slide bar. 5" (127 mm) Hand shower adjusts from Drench to Sensitive to Powerwash® to Massage. Pressure compensating flow control device. Slide bar features an adjustable shower holder which can be set at any height or position along the bar and angle up to 45°. Kit includes double check valves to prevent cross flow of hot and cold water.

PRODUCT FEATURES:

Pressure Compensating Flow Control Device:

Provides consistent flow over a wide pressure range.

Variety of Spray Functions: Allows the user to select the spray functions best suited to their needs.

HAND SHOWER

Lightweight, Ergonomic Design: For a sure grip even with wet, soapy hands.

SLIDE BAR

Simple Height Adjustment: Allows positioning of the personal shower anywhere along the bar.

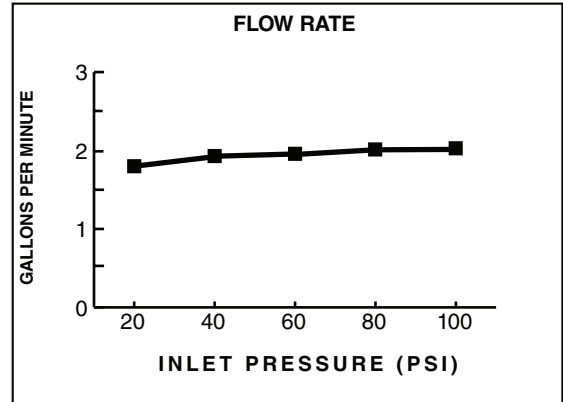
SUGGESTED SPECIFICATION

Shower system shall feature a wall supply with 1/2" NPT female inlets, 1/2" NPSM male outlet, 59" hose, hand shower and a 30" all metal slide bar. Hand Shower shall have a pressure compensating control device. Kit shall include double check valves to prevent cross flow of hot and cold water. Fitting shall be American Standard Model # 1660.775._____.

CODES AND STANDARDS

These products meet or exceed the following codes and standards:

ASME A112.18.1
CSA B125.1



Product Number	Description	Finish			
		Brushed Nickel	Polished Nickel	Legacy Bronze	Polished Chrome
		295	013	278	002
1660.775	Spectra+ Handheld™ Kit. Contains Spectra+™ hand shower, slide bar, hose and wall supply.				