

PRODUCT SPECIFICATIONS

Elkay Quartz Classic[®] 25" x 18-1/2" x 11-13/16", Undermount Laundry Sink with Perfect Drain. Sink is molded with up to 80% natural quartz and high performance acrylic resins that are non-porous providing superior heat, scratch, fade and stain resistance. Naturally sound deadening and Rear Center drain placement.



Installation Type:	Undermount
Material:	Quartz
Special Features:	Perfect Drain
Finish:	Bisque (BQ), Black (BK), Dusk Gray (GY), Greige (GR), Greystone (GS), Mocha (MC), Putty (PT), White (WH)
Number of Bowls:	1
Sink Dimensions:	25" x 18-1/2" x 13-3/16"
Bowl 1 Dimensions:	22-5/16" x 16-7/16" x 11-13/16"
Drain Size:	3-5/8" (92mm)
Drain Location:	Rear Center
Minimum Cabinet Size:	30"
Mounting Hardware:	Part # 54300404 included
Template Included:	Yes
Cutout Template #:	0000001437

Included with Product: One LKPDQ1CR Perfect Drain and strainer.

AMERICAN PRIDE. A LIFETIME TRADITION.
Like your family, the Elkay family has values and traditions that endure. For almost a century, Elkay has been a family-owned and operated company, providing thousands of jobs that support our families and communities.

Product Compliance: CSA B45.5/IAPMO Z124
Accessory: ASME A112.18.2/CSA B125.2



Sinks are listed by IAPMO[®] as meeting the applicable requirements of the Uniform Plumbing Code[®], International Plumbing Code[®], and National Plumbing Code of Canada.

[Clean and Care Manual \(PDF\)](#)

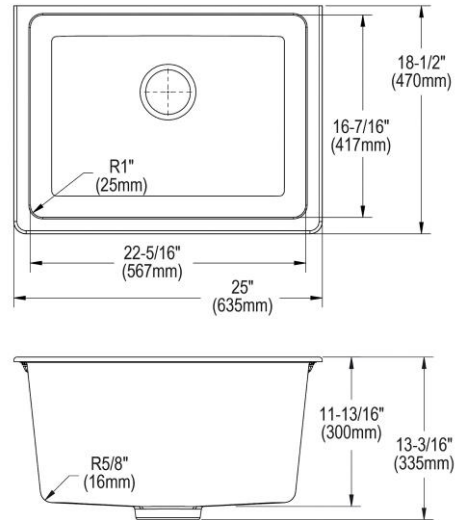
[Installation Instructions \(PDF\) - 1000005238](#)

[Installation Instructions \(PDF\) - 1000003889_perfect-drain](#)

[Warranty \(PDF\)](#)

Similar models are available with: ADA Depths

Perfect Drain: Seamlessly molded collar eliminates the gap between a traditional drain and the sink for a sanitary and gap free installation. An InSinkErator[®] garbage disposer can be installed on either sink bowl for user convenience. **Patent Pending**



PART: _____ QTY: _____

PROJECT: _____

CONTACT: _____

DATE: _____

NOTES: _____

APPROVAL: _____

In keeping with our policy of continuing product improvement, Elkay reserves the right to change product specifications without notice. Please visit [elkay.com](#) for the most current version of Elkay product specification sheets. This specification describes an Elkay product with design, quality, and functional benefits to the user. When making a comparison of other producers' offerings, be certain these features are not overlooked.

in sink erator

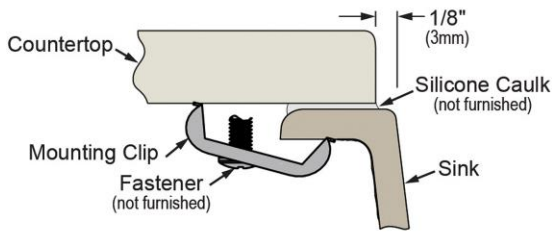
Elkay[®] Perfect Drain[™] sinks are designed and approved for compatible disposers manufactured by InSinkErator[®] utilizing the Quick Lock[®] mounting configuration. Use of non-approved disposers may void Elkay warranty.

InSinkErator, Quick Lock and the mounting collar configuration are trademarks of Emerson Electric Co.



Installation Profile:

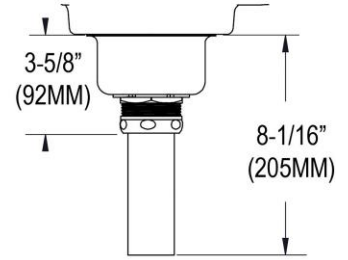
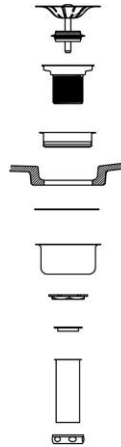
UNDERMOUNT - 1/8" REVEAL



Designed to affix to the underside of any solid surface countertop.

OPTIONAL ACCESSORIES

Cutting Board:	LKCBEG2217HW
Drain:	LKPDQ1LS
Faucet:	LK2500CR
Soap Dispenser:	LKGT1054



Sink with Drain Kit Installed

In keeping with our policy of continuing product improvement, Elkay reserves the right to change product specifications without notice. Please visit elkay.com for the most current version of Elkay product specification sheets. This specification describes an Elkay product with design, quality, and functional benefits to the user. When making a comparison of other producers' offerings, be certain these features are not overlooked.

PRODUCT SPECIFICATIONS

Elkay Perfect Drain Fitting Type 304 Stainless Steel Body, and Strainer. Overall dimensions are 4-1/2" x 4-1/2" x 3-1/2". Made of Stainless Steel.

Material:	Stainless Steel
Finish:	Chrome (CR), Lustrous Steel (LS)
Dimensions:	4-1/2" x 4-1/2" x 3-1/2"
Shipping Weight:	.5 lbs.

Special Note: For Use with Quartz Perfect Drain Only

- Conical strainer basket with metal stem and rubber seal.
- 1-1/2" O.D. x 4" type 304 stainless steel tailpiece.
- Designed for use with Elkay Quartz Sinks with Perfect Drain.



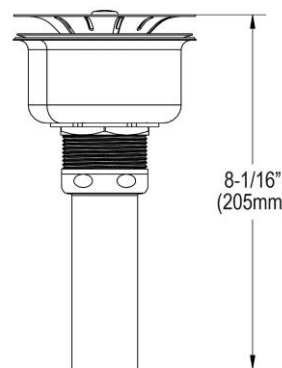
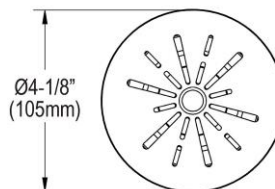
AMERICAN PRIDE. A LIFETIME TRADITION.
Like your family, the Elkay family has values and traditions that endure. For almost a century, Elkay has been a family-owned and operated company, providing thousands of jobs that support our families and communities.

Product Compliance: ASME A112.18.2/CSA B125.2



Drains are listed by IAPMO[®] as meeting the applicable requirements of the Uniform Plumbing Code[®], International Plumbing Code[®], and National Plumbing Code of Canada.

[Clean and Care Manual \(PDF\)](#)
[Installation Instructions \(PDF\)](#)



PART: _____ QTY: _____
 PROJECT: _____
 CONTACT: _____
 DATE: _____
 NOTES: _____
 APPROVAL: _____

In keeping with our policy of continuing product improvement, Elkay reserves the right to change product specifications without notice. Please visit elkay.com for the most current version of Elkay product specification sheets. This specification describes an Elkay product with design, quality, and functional benefits to the user. When making a comparison of other producers' offerings, be certain these features are not overlooked.