

LUMEN

SHOWER DOOR INSTALLATION INSTRUCTIONS

IMPORTANT

DreamLine[®] reserves the right to alter, modify or redesign products at any time without prior notice. For the latest up-to-date technical drawings, manuals, warranty information or additional details please refer to your model's web page on **DreamLine.com**

MODEL #s

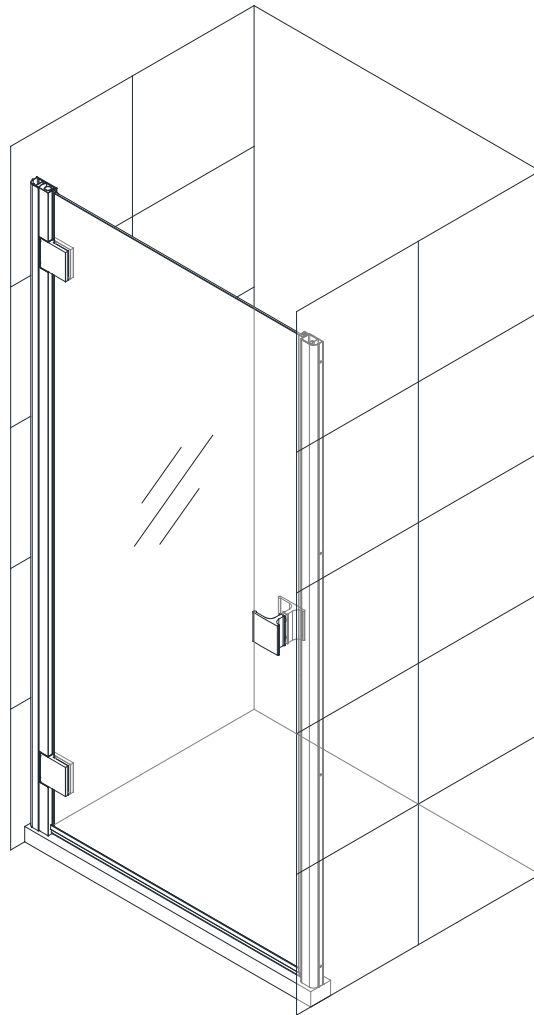
SHDR-5330660-##

SHDR-5334660-##

##=finish

01- Chrome

04- Brushed Nickel



Left Swing door installation shown



Questions?

Please Call **DreamLine** Customer Support: **1-855-831-2126**
Hours of Operation M-F 8AM - 7PM EST and Saturday 9AM - 5PM EST

Support@DreamLine.com

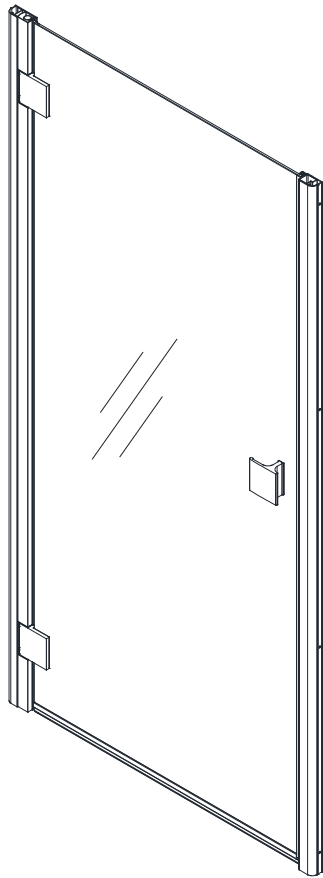


For more information about DreamLine[®] Shower Doors, Tub Doors & Enclosures, please visit **DreamLine.com**

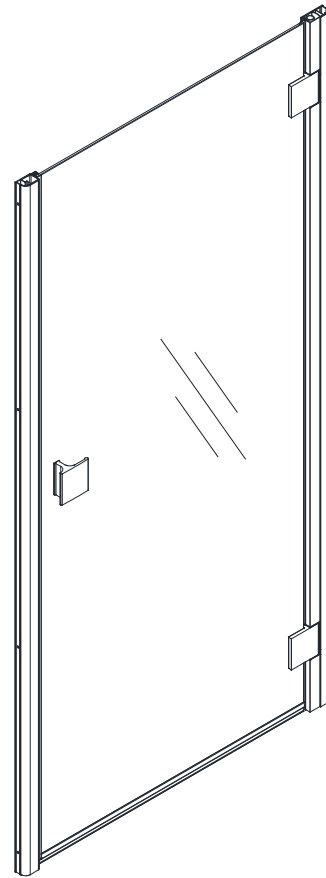
Table of Contents

Section title	Page #
Model Diagram	2
Preparation	3
Tools	4
Parts List	5-6
Installation Steps	7-18
Handle	17
Vinyl Seals	17
Hinge Assembly Detail	19
Product maintenance	20

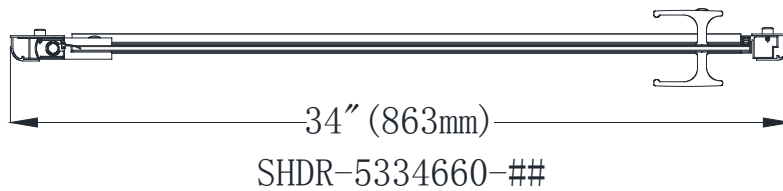
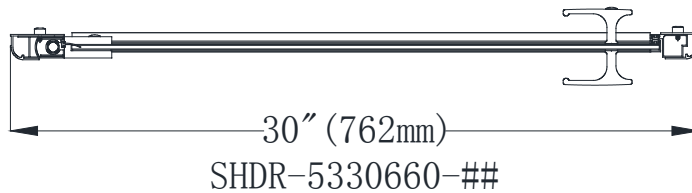
Model Diagram



Left Swing door installation



Right Swing door installation



NOTE: This model is reversible for left or right door swing installation. This manual will use the left door swing installation as an example throughout. For a right door swing installation, simply begin on the opposite wall and reverse the orientation of the parts as necessary.

Preparation

1. Prior to installation, examine all boxes and packages for shipping damage and compare the piece count with the packing slip. After opening all boxes and packages read this introduction carefully. Check that all of the necessary parts are included in the package by checking off the components on the "Detailed Diagram of Shower Door Components". If the unit has been damaged, has a finishing defect, or has missing parts, please contact our customer support department within **3 business days** of the delivery date. **Please note that DreamLine® will not replace any damaged products or missing parts free of charge after 3 business days or if the product has been installed.** Feel free to contact DreamLine® if you have any questions, and please provide an order number, job name or other proof of purchase to help identify the original order.

2. **Please note that you should consult your local building codes with questions on installation compliance standards. Building and plumbing codes may vary by location, and DreamLine® is not responsible for code compliance standards for your project and will not accept any returns.**

3. If this unit is going to be installed in a new construction, please install all of the required plumbing and drainage before installing the shower. Use a competent and licensed (if required by local code) plumber for all plumbing installation

4. Please make sure that prior to beginning the installation, the surfaces are leveled and solid and will be able to support the total weight of the unit. Also make sure the walls are at right angles. Irregular installation surface level, radius corners or improper angle of side walls will result in serious problems for your installation. Note that some adjustments and drilling will be necessary during the installation process.

5. Please protect all primary surfaces of the product during installation. Never set the glass down directly onto a tile floor. Leave corner protectors in place until necessary to remove them. Always use a piece of wood or cardboard to protect the bottom edge and corners of the glass prior to and during installation.

6. This unit must be installed upon a finished threshold and against finished walls.

7. This model has **1"** of total adjustment (1/2" per side) for out-of-plumb wall conditions and/or overall width adjustment within the model size.

8. This model requires a minimum of **1-1/4"** of flat threshold space for installation.

9. **Professional installation recommended.**

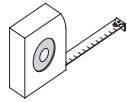


NOTE: Do Not attach the handle to the door glass until instructed. **Do Not** attempt to lift the door glass with the handle as this may result in damage to the glass and/or serious personal injury. Use a professional grade glass suction cup and an assistant if necessary.

Tools



Level



Tape Measure



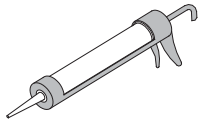
Pencil



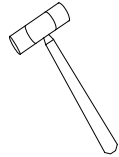
Drill bit
Ø5/16"
(8mm)



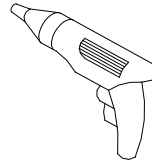
Drill bit
Ø=1/8"
(3.2mm)



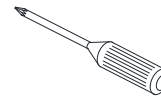
Silicone



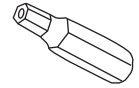
Hammer



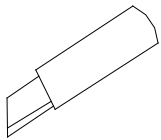
Power Drill



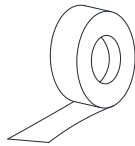
Phillips
Screwdriver



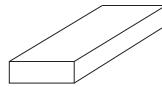
Hex Head driver
2mm, 4mm



Razor Knife



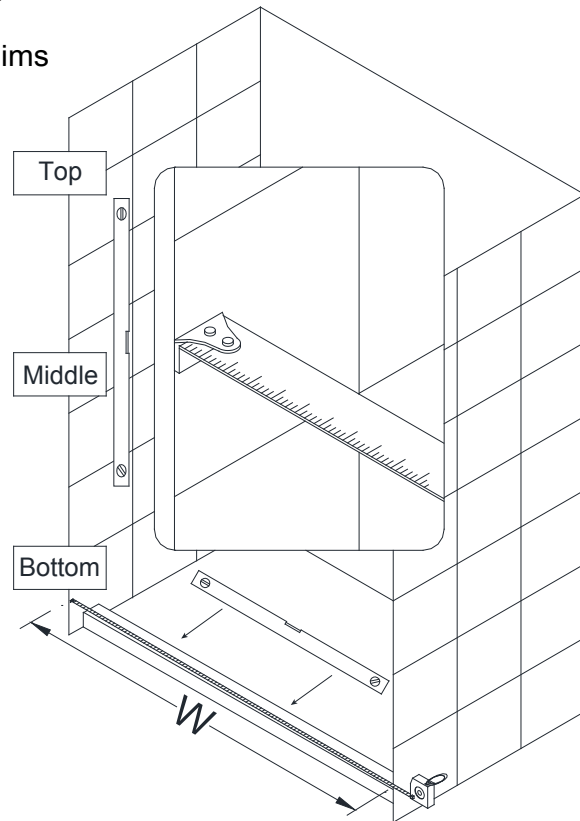
Painter's Tape



1/2" Shims

Tip: Measure the finished opening before proceeding with the installation to be sure that the correct model size has been ordered.

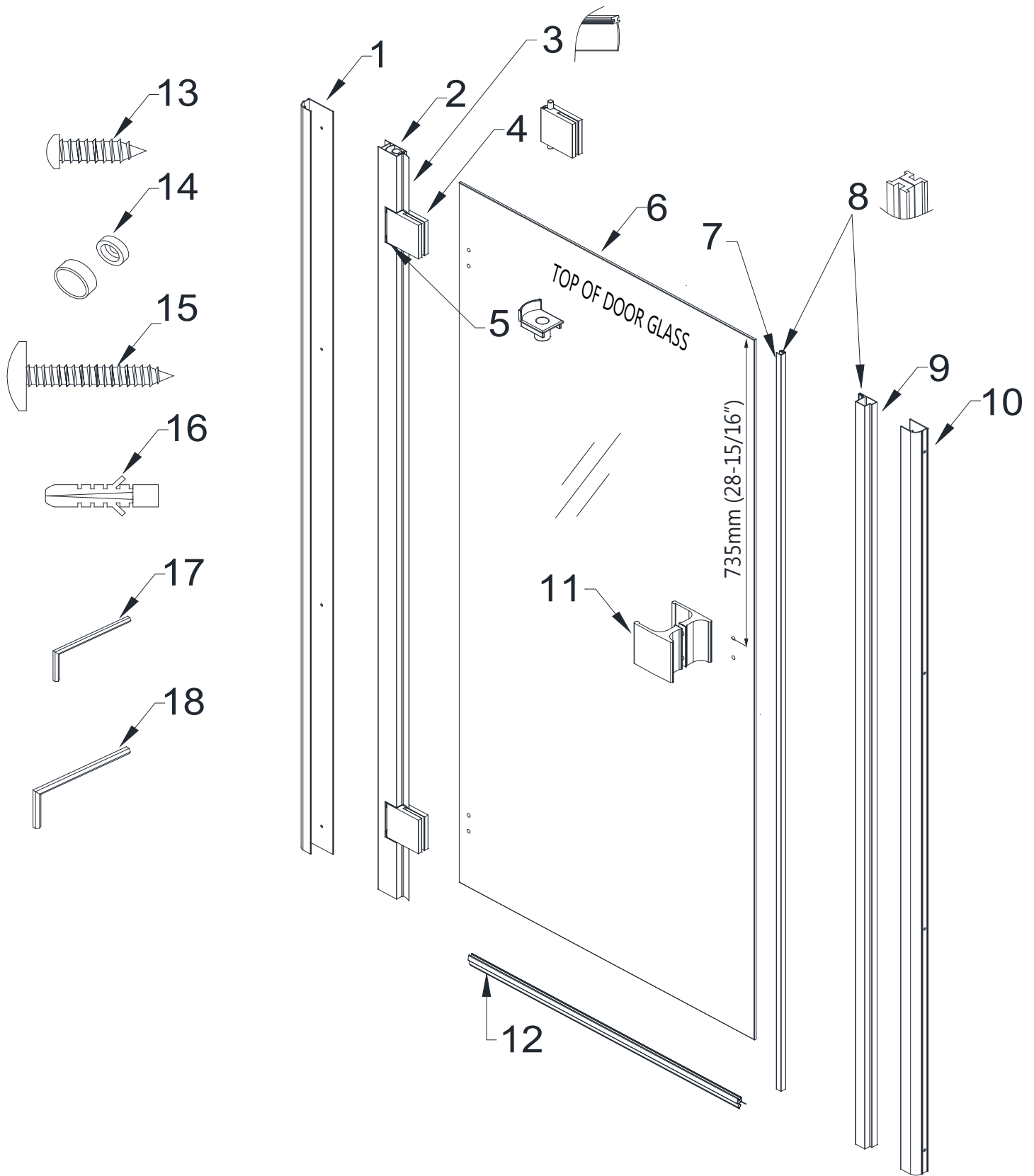
Tip: Prior to installation, cover the shower/tub drain with tape to prevent losing screws or small parts.



NOTE: Unpack your unit carefully and inspect it. Lay it out and identify all parts using the detailed diagram and packing list in this manual as a reference. Before discarding the carton, check for small hardware bags that may have fallen to the bottom of the box. If any parts are damaged or missing, please contact DreamLine® for replacement. The shipping boxes may contain extra parts not used in your model configuration.

NOTE: Retain these installation instructions for future reference.

Detailed Diagram of shower door components



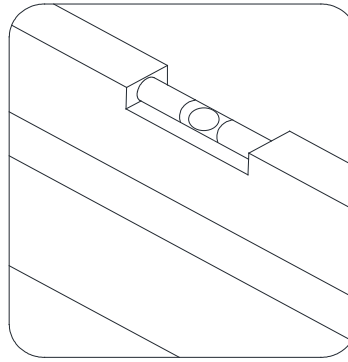
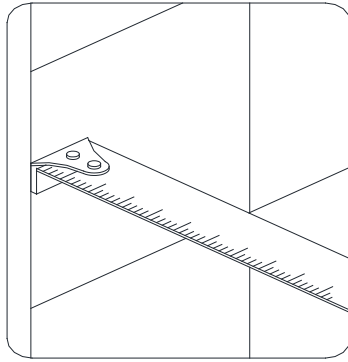
Left Swing door installation shown as an example

Parts List

ITEM #	PART NUMBER	DESCRIPTION	QTY
01	04196011-1678/ 04196041-1678	Wall Profile LC196	1pc
02	04195011-1678/ 04195041-1678	Hinge Profile LC195	1pc
03	063026000-1600	Anti-water side strip (pre-installed)	1pc
04	07431054/07435054	Hinge Assembly (pre-installed)	2pcs
05	07551082	Hinge Plastic Insert (pre-installed)	4pcs
06	010310001 / 010310002	Door Glass (for 30" / 34" model)	1pc
07	04193011-1664/ 04193041-1664	Glass Profile LC163	1pc
08	062001002-1678	Magnet Strip (pre-installed)	2pcs
09	04194011-1678/ 04194041-1678	Profile LC194	1pc
10	04193011-1678/ 04193041-1678	Wall Profile LC193	1pc
11	07231050	Handle	1pc
12	063015060-0652/ 063015060-0752	Anti-water bottom strip (for 30" / 34" model)	1pc
13	091101	Pan Head Screw ST4.2x10	8pcs
14	07551012	Decorative Cap and washer	8pcs
15	090108	Truss Head Screw ST4.2x40	8pcs
16	07550045	Ø5/16" (8mm) Plastic Wall Anchor	8pcs
17	098001	Allen wrench 2mm	1pc
18	098004	Allen wrench 4mm	1pc

Installation steps

1. Measure the finished opening width at the top, middle and bottom. Check the threshold for level and the walls for plumb. This model can adjust up to 1/2" per side for out-of-plumb conditions or 1" for overall width within the model size. **(Fig 1)**



Threshold must be level

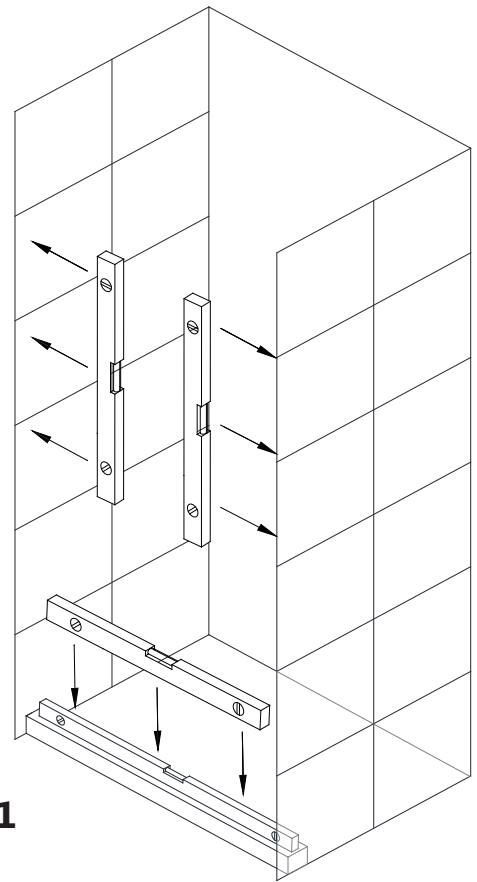


Fig 1

2. Install the **Wall Profile (hinge side) (#01)** first. Position the **Wall Profile (hinge side) (#01)** onto the threshold and against the wall and plumb with a level. Mark the position of the **Wall Profile (hinge side) (#01)** on the wall (from the inside of the shower) and mark the holes for drilling. Remove the **Wall Profile (hinge side) (#01)** and drill $\text{Ø}5/16''$ (8mm) holes. Insert the **Wall Anchors (#16)** into the holes. **(Fig 2)**

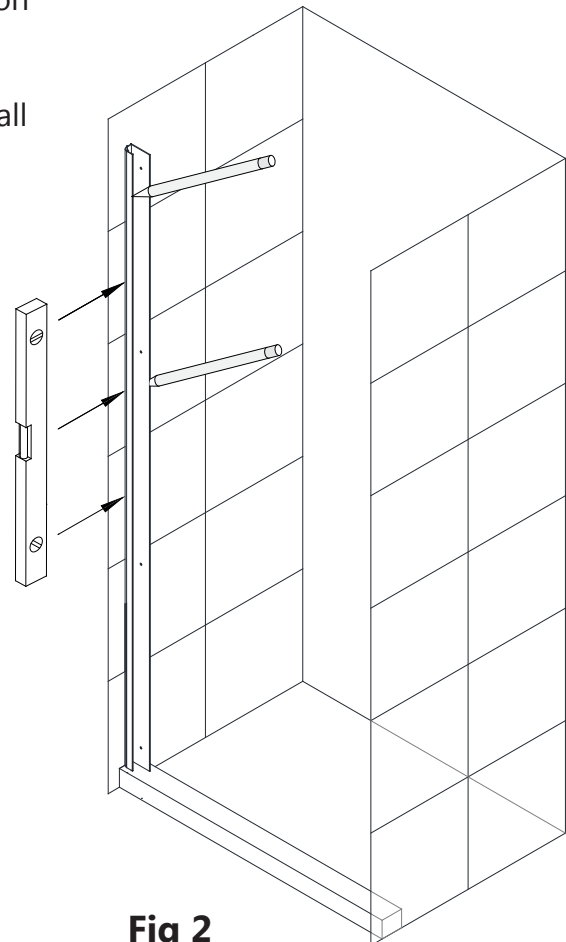
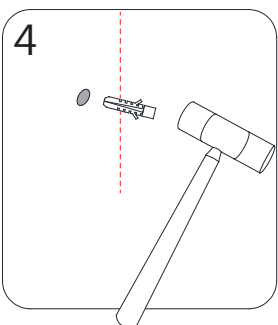
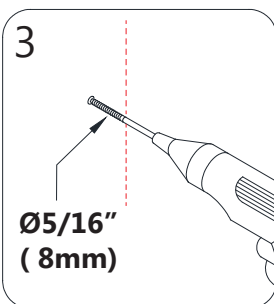
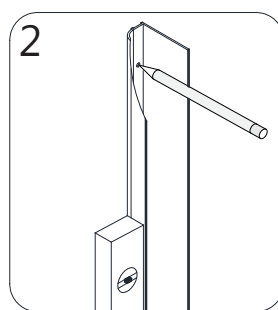
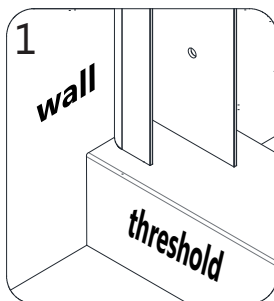


Fig 2

3. Apply silicone to the back of the **Wall Profile (hinge side) (#01)**. Attach the **Wall Profile (hinge side) (#01)** to the wall using the **ST4.2x 40 Truss Head Screws (#15)**. (**Fig 3**)

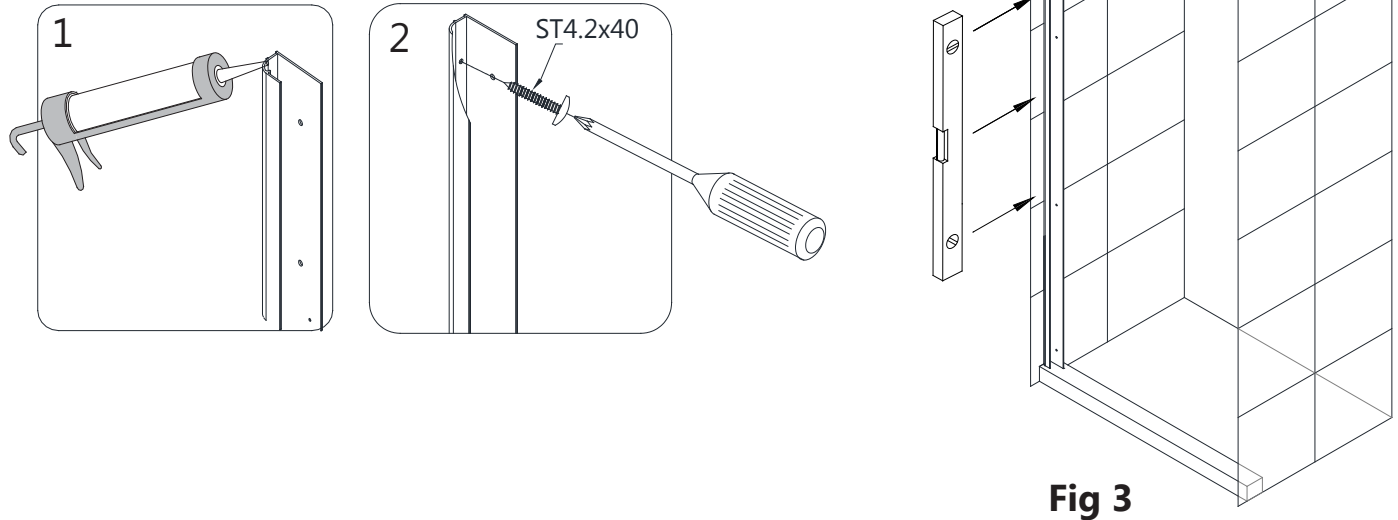


Fig 3

NOTE: There is a top and a bottom to the door glass. Confirm that the handle holes are closer to the top. (**Fig 4**)

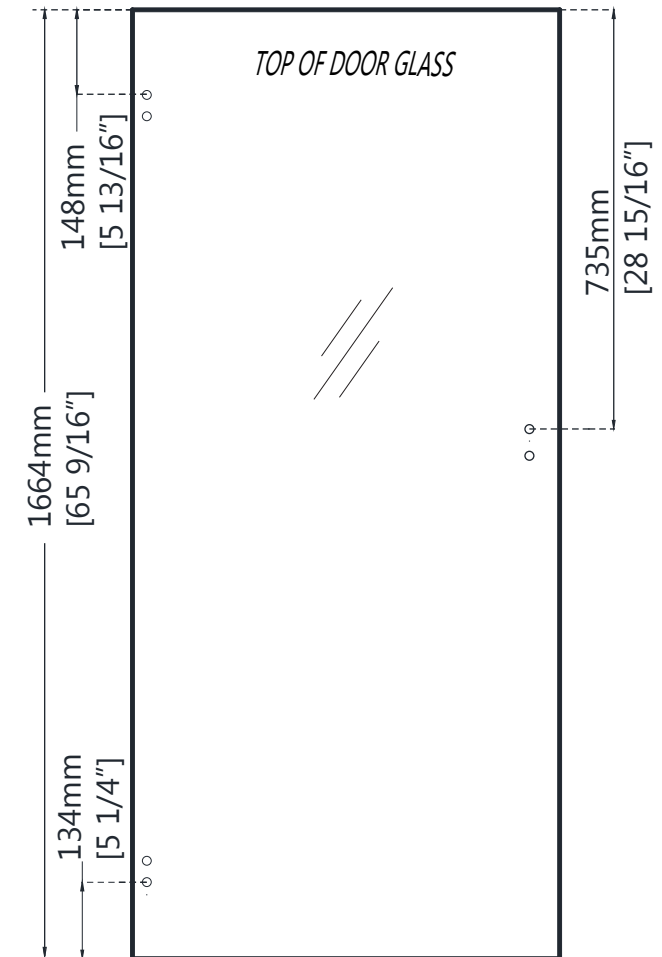


Fig 4

4. Slide the Hinge Profile (#02) assembly fully into the Wall Profile (#01). (Fig 5)

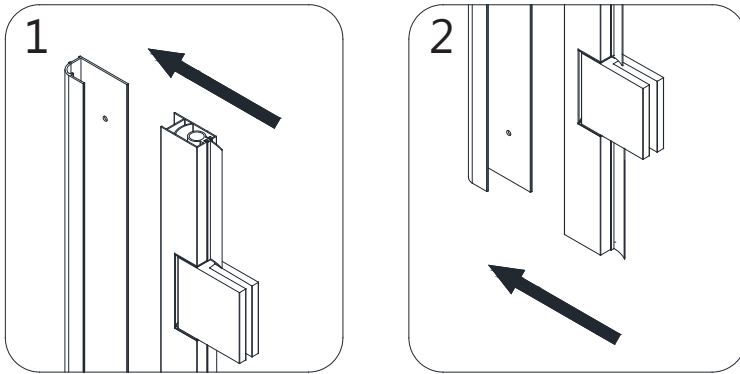
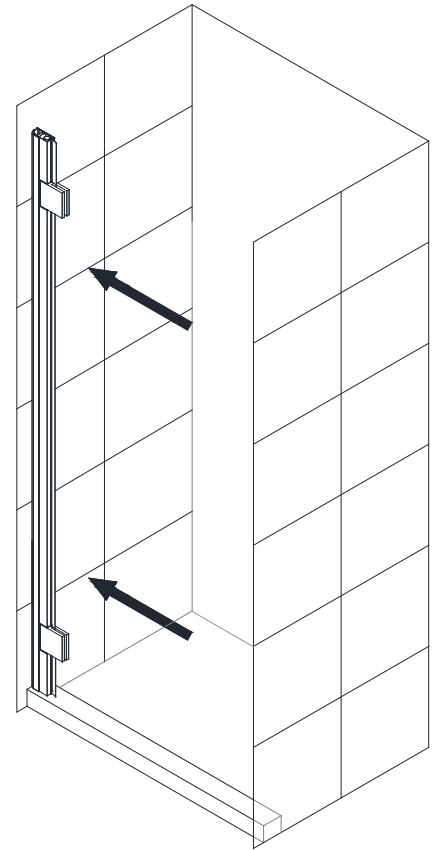
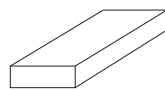


Fig 5



NOTE: Protect the bottom edge of the door glass during installation. Use 1/2" shims on the threshold for proper spacing and to support the door during the next few steps. (Fig 6)



1/2" Shims

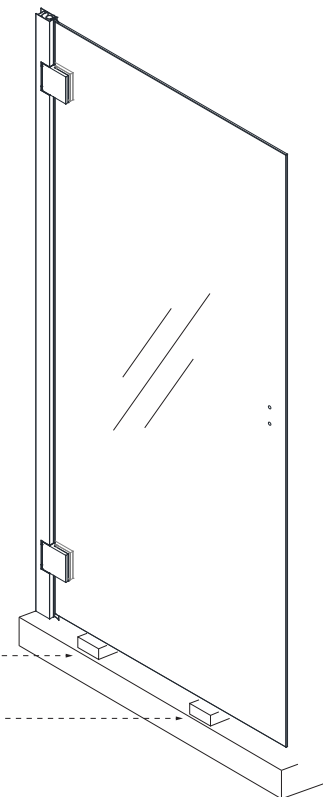


Fig 6

5. The Hinge Assemblies (#04) are pre-attached to the Hinge Profile (#02). Remove the **large allen bolts** and protective sleeves from the hinges. **(Fig 7.1)** Loosen the **smaller allen bolts** on the hinges to create enough space to slide the glass into the hinges.

***Place the protective sleeves into the hinge holes on the Door Glass (#06).**

Align the holes in the **Door Glass (#06)** with the holes in the hinges. Install the large bolts through the protective sleeves in the hinge holes and tighten. Re-tighten the small bolts on the hinges to secure the **Door Glass (#06)**. **(Fig 7)**

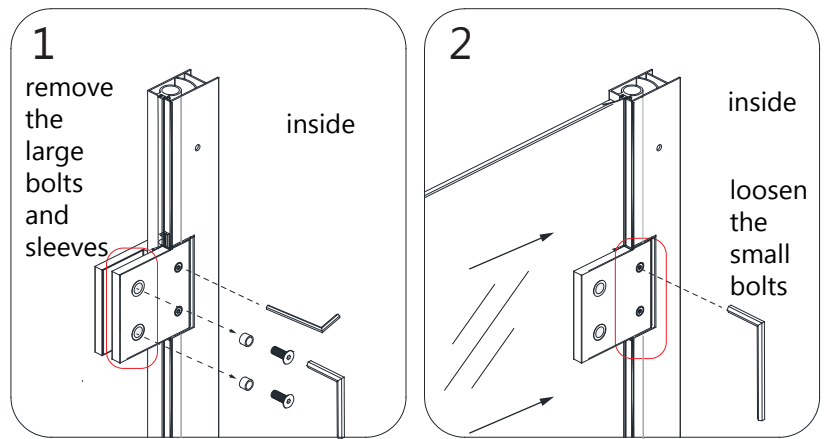
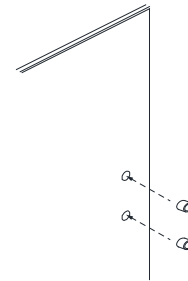


Fig 7

Loosen, but do not remove the two smaller bolts on the hinge to allow enough space to install the door glass without disassembling the hinges.

**Insert the plastic sleeves into the holes in the door glass before attaching the door glass to the hinges.*



6. Clean the edge of the Door Glass (#06) prior to attaching the Strike Rail (#07). Apply a **thin bead** of silicone into the **Strike Rail (#07)** and attach it to the strike edge of the **Door Glass (#06)**. Make certain that the **Strike Rail (#07)** is tight to the glass and flush with the top and bottom edges. Secure the rail in place with some painter's tape until the silicone cures. **(Fig 8)**

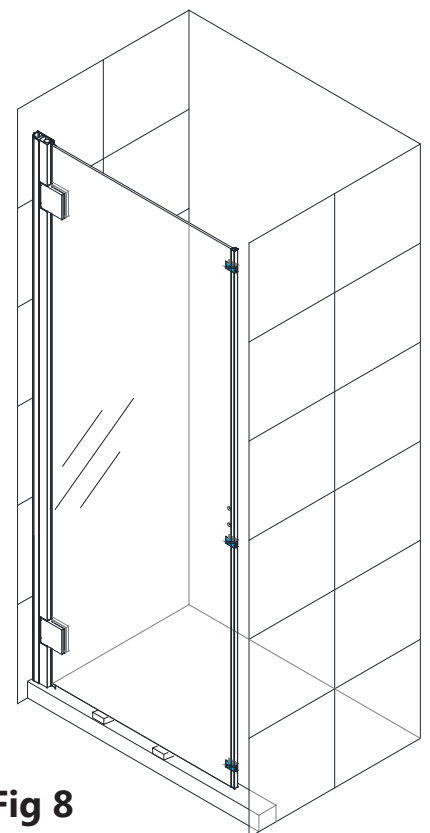
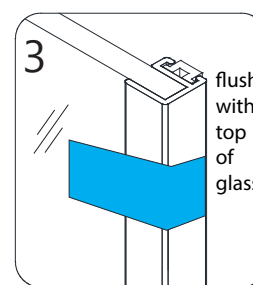
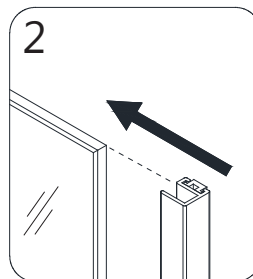
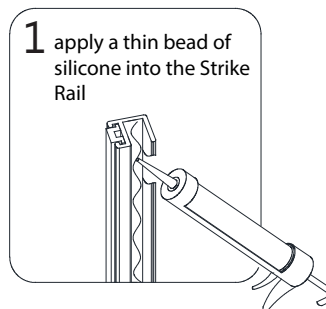
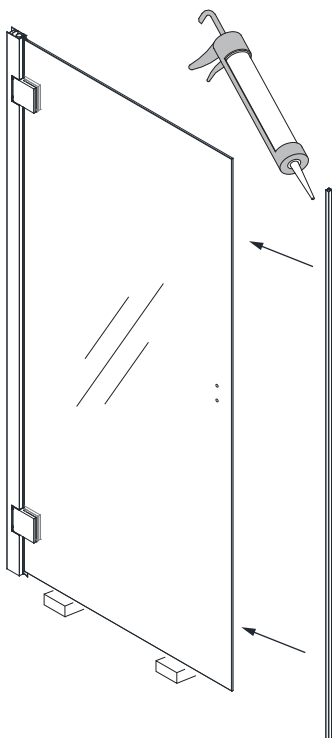
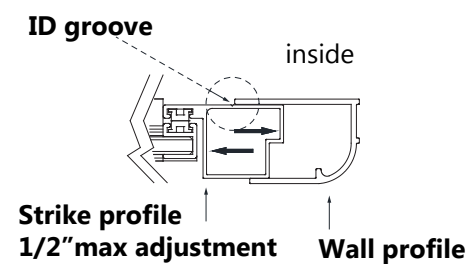
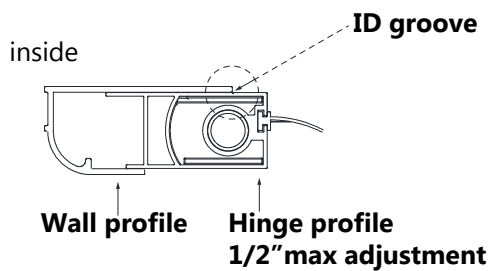
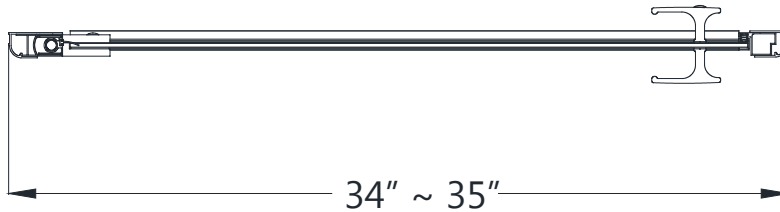
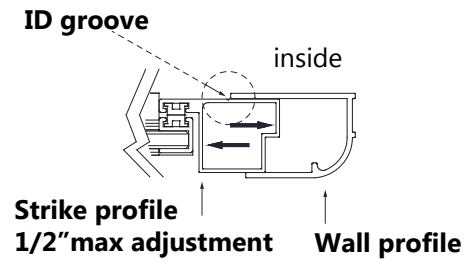
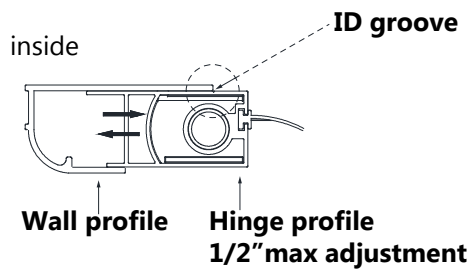
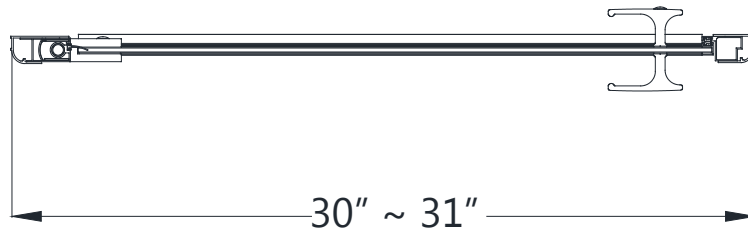


Fig 8

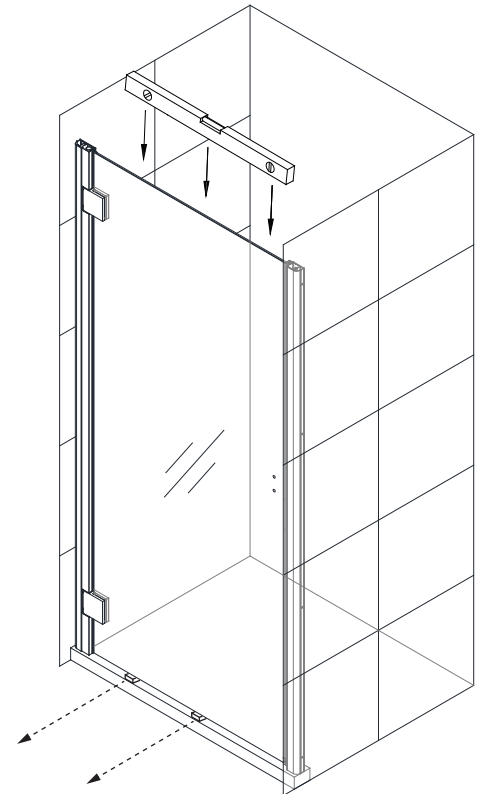
Position the tape so that it does not interfere with aligning the magnetic strips

Adjust the strike and hinge profiles within the wall profiles to center the door within the model size range. Do not adjust either profile more than 1/2". The ID groove on the hinge profile and strike profile should not be visible. Do not over adjust the profiles beyond the ID groove .

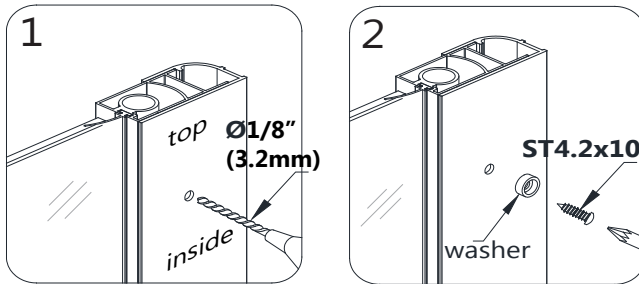


NOTE: For safety and to protect the door glass: The door glass will need to be supported by shims and/or an assistant until the Wall profile and Hinge profile are screwed together.

7. Check the door for level. Adjust the **Hinge Profile (#02)** as necessary. From inside of the shower, drill an **Ø1/8"** hole through the predrilled hole at the top of the hinge-side **Wall Profile (#01)** and secure the **Wall Profile (#01)** to the hinge profile using an **ST4.2 x 10mm Pan Head screw (#13)** and **Washer (#14)**. This will provide some support for the door until the remaining **ST4.2 x 10mm (#13)** screws are installed in Step #12, after the Strike side profiles are installed. **This screw may need to be repositioned at that time depending on the finished opening conditions. (Fig 9)**



Hinge side as viewed from inside the shower



Left hinged door shown as an example

The 1/2" shims can be removed after the Hinge profile and Wall profile are screwed together

Fig 9

8. Position the **Strike Profile (#09)** and **Wall Profile (#10)** against the wall. Close the door and use a tape measure to align the **Door Glass (#06)** parallel to the front edge of the threshold. Align the **Strike Profile (#09)** with the **Strike Rail (#07)** on the edge of the door. Check the strike-side **Wall Profile (#10)** for plumb, but make sure that the magnets align. Adjust the **Strike Profile (#09)** within the **Wall Profile (#10)** for overall width or out-of-plumb.

Mark the position of the **Wall Profile (#10)** on the wall from inside the shower.

(Fig 10)

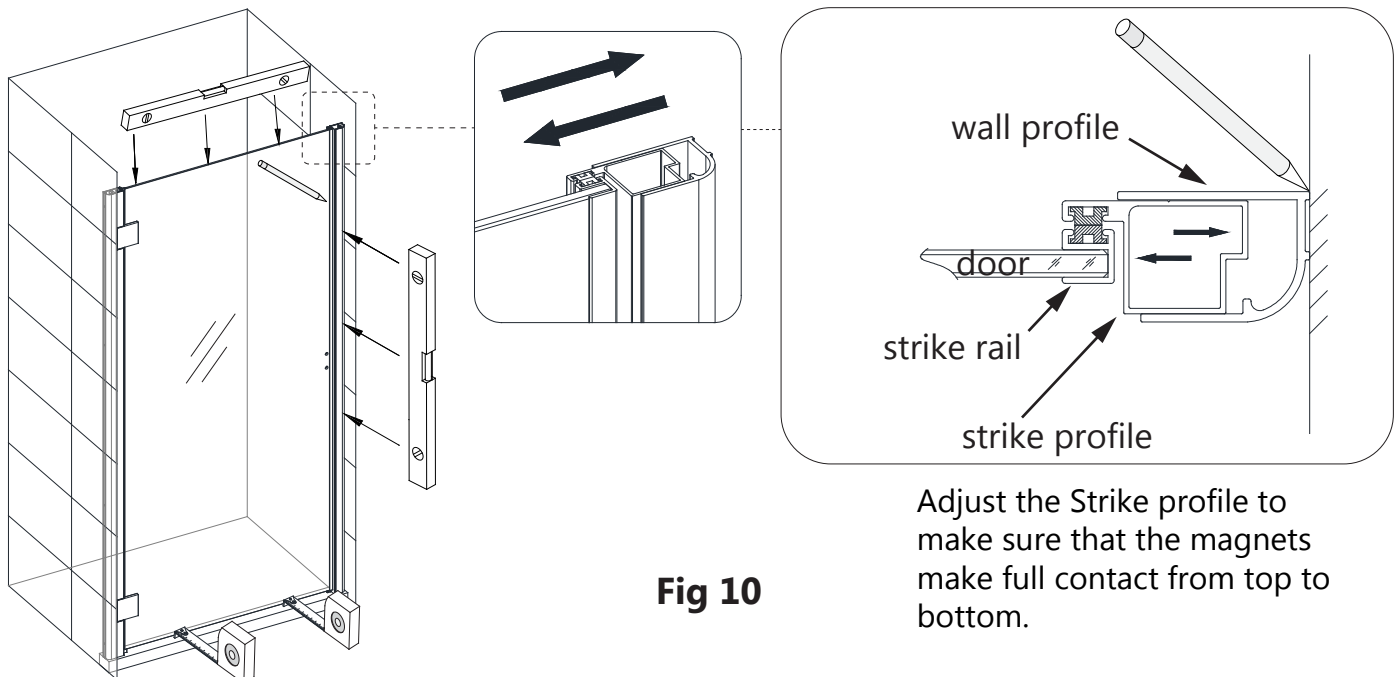


Fig 10

Adjust the Strike profile to make sure that the magnets make full contact from top to bottom.

9. Open the door and remove the **Strike Profile (#09)** and leave the **Wall Profile (#10)** in position. Mark the holes for drilling through the holes in the **Wall Profile (#10)**. Drill **Ø5/16" (8mm)** holes and insert the **Wall Anchors (#16)** into the holes. Apply silicone to the back of the **Wall Profile (#10)** and around the screw holes. Attach the **Wall Profile (#10)** to the wall using the **ST4.2x 40 Truss Head Screws (#15)**. (**Fig 11 and Fig 12**)

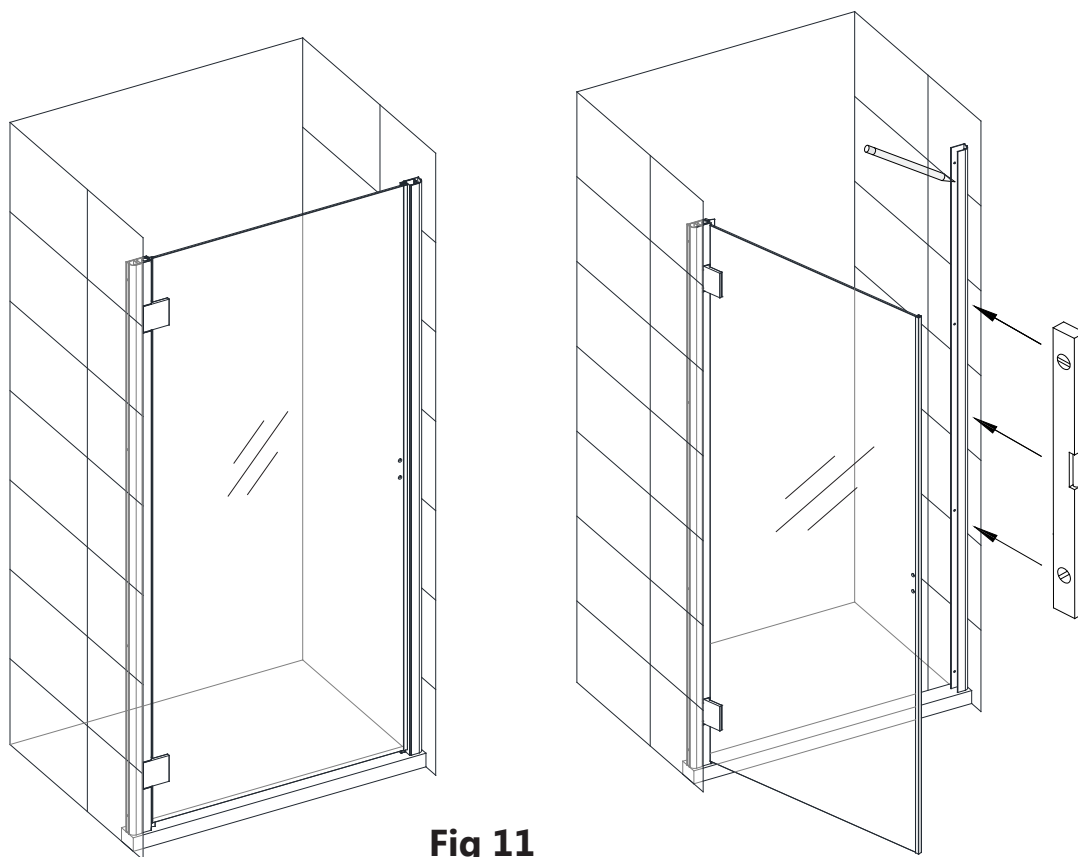


Fig 11

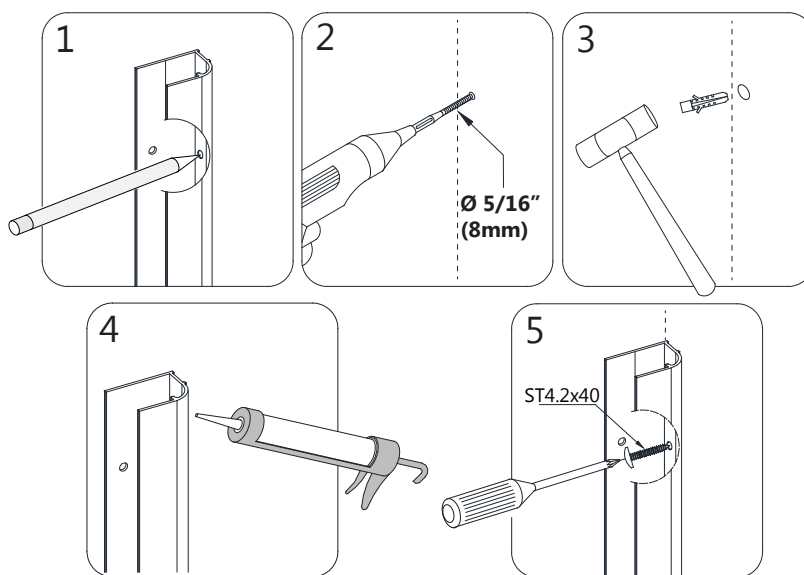


Fig 12

10. Insert the **Strike Profile (#09)** back into the installed **Wall Profile (#10)**, and adjust the **Strike Profile (#09)** as necessary to line up the magnetic seals. (**Fig 13**)

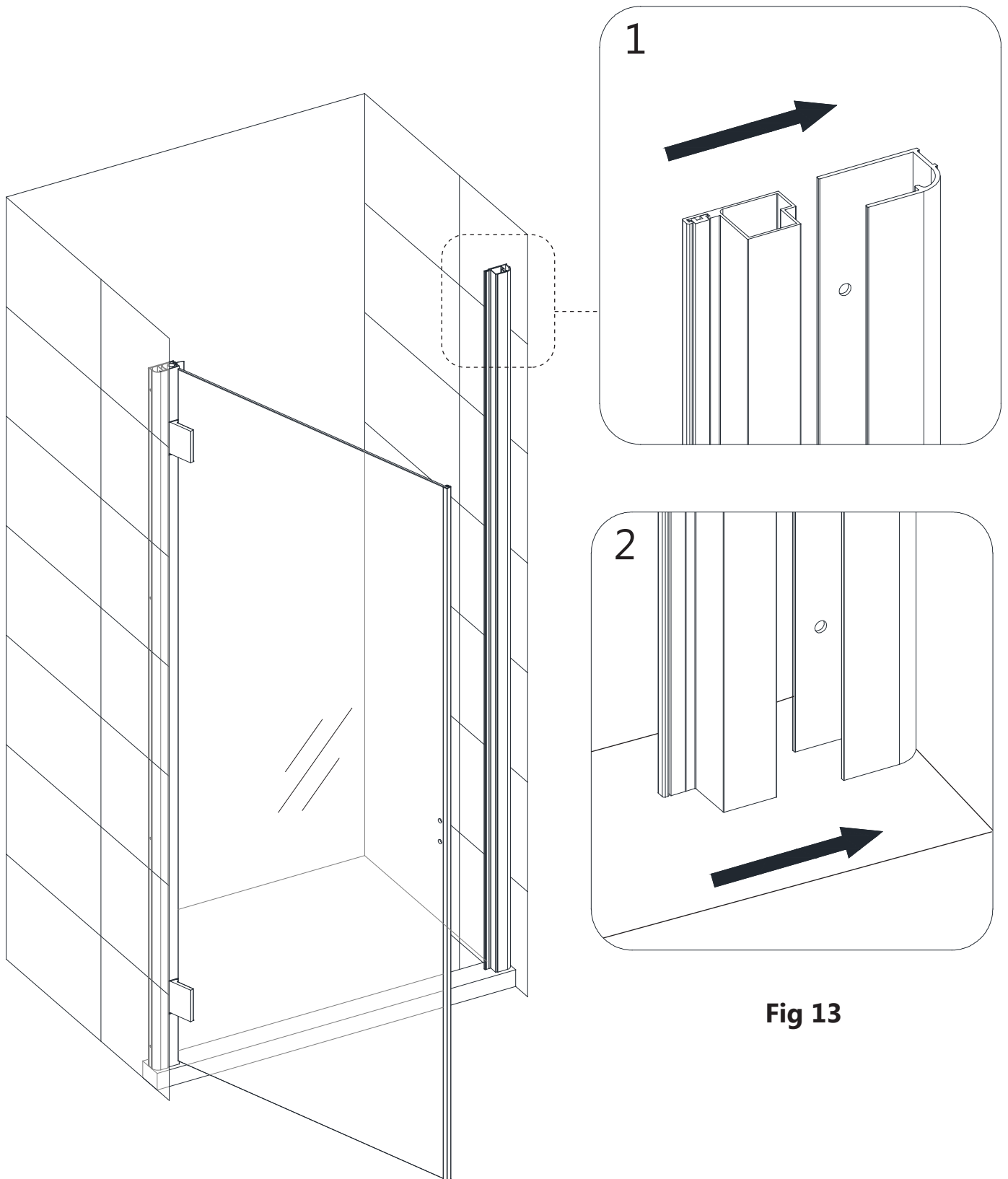


Fig 13

11. The **Strike Rail (#07)** magnet on the **Door Glass (#06)** must line up with the magnet on the **Strike Profile (#09)**. Make sure the magnets make even contact from top to bottom. (**Fig 14**)

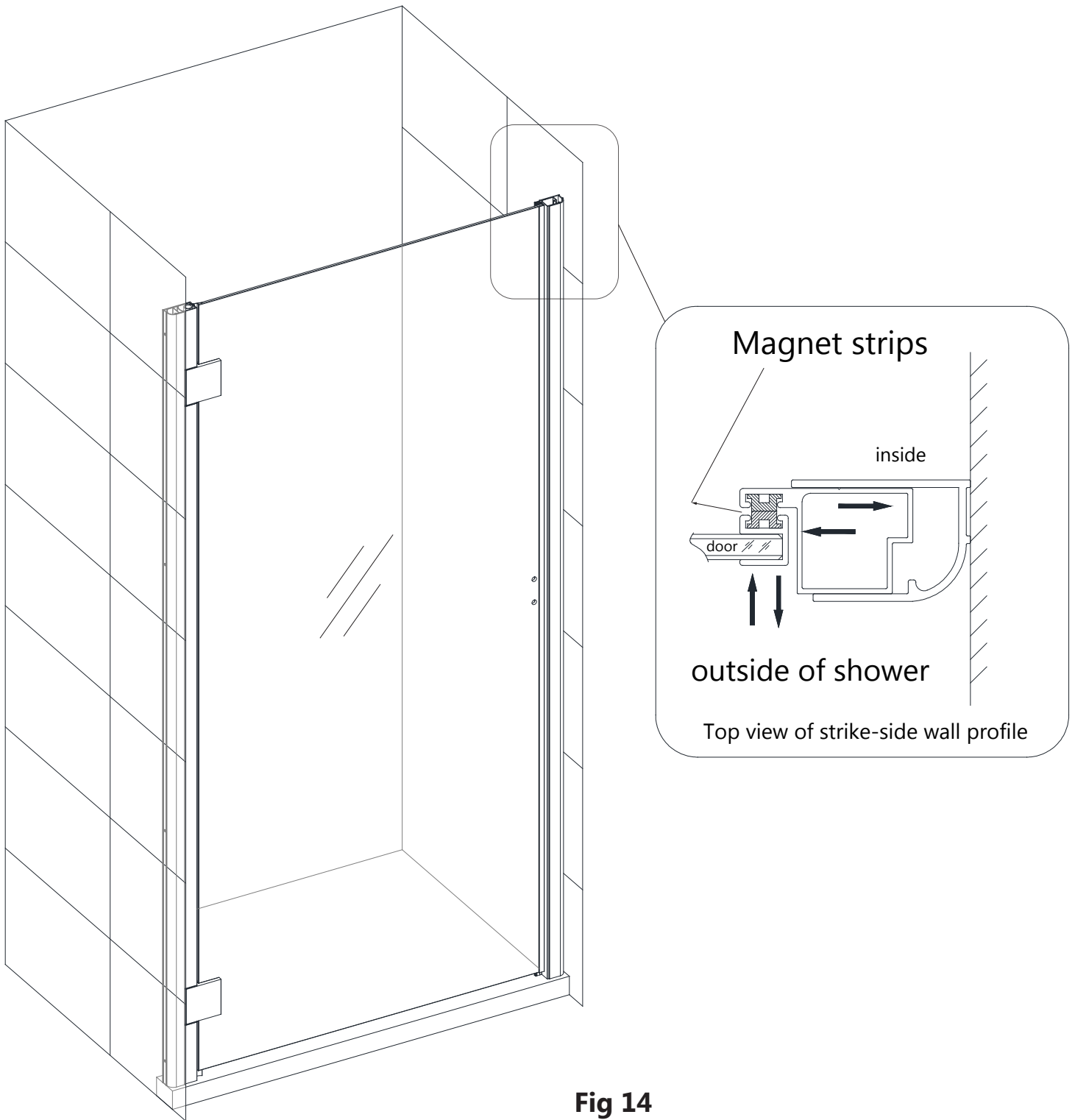


Fig 14

12. Adjust the door for level and plumb by adjusting the profiles on either side of the door. Use the pre-drilled holes on the inside of the **Wall Profiles (#01 and #10)** as guides. After making final adjustments to the **Door Glass (#06)**, drill holes into the **Hinge Profile (#05)** and **Strike Profile (#09)** through the pre-drilled holes in the **Wall Profiles (#01 and #10)** using an **Ø1/8" (3.2mm)** drill bit.

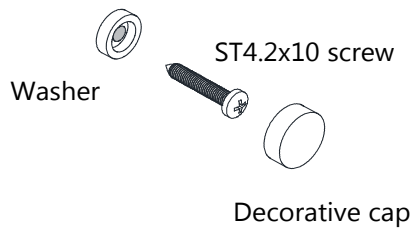
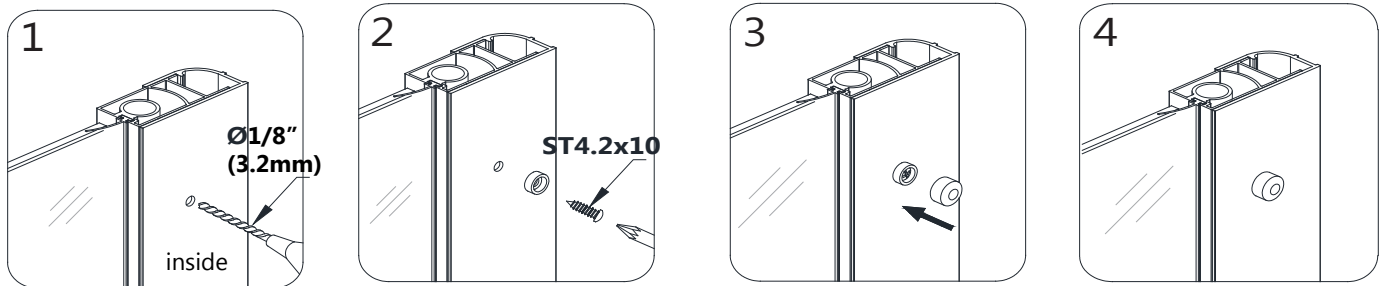
Note: Drill through one layer of the profile, not through the entire profile. Attach the profiles together using the **Pan Head Screws ST4.2x10 (#13)** along with the **Decorative Cap and Washer (#14)**. (**Fig 15**)

Note: It may be necessary to reposition the ST4.2 x 10 screw that was installed during step #8.

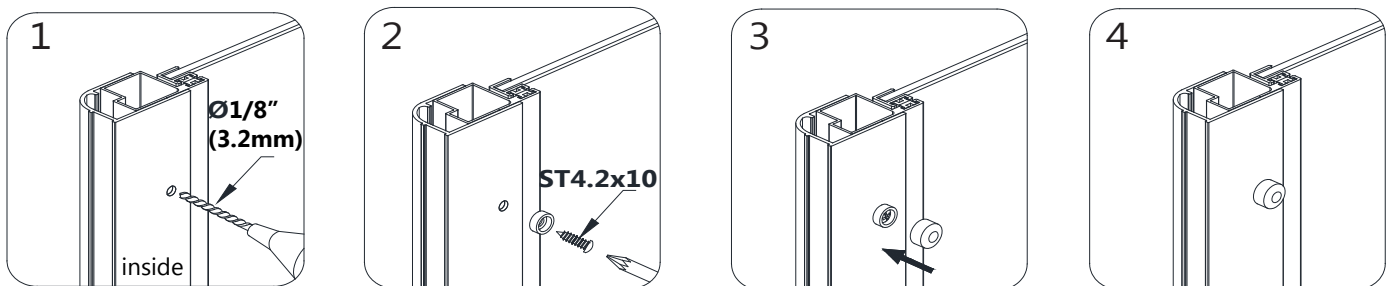


Fig 15

Hinge side as viewed from inside the shower



Strike side as viewed from inside the shower



13. Install the **Handle (#11)** on the **Door Glass (#06)** using **Pan Head Screw ST4.2x10 (#13)** and one gasket per side. **(Fig 16)**

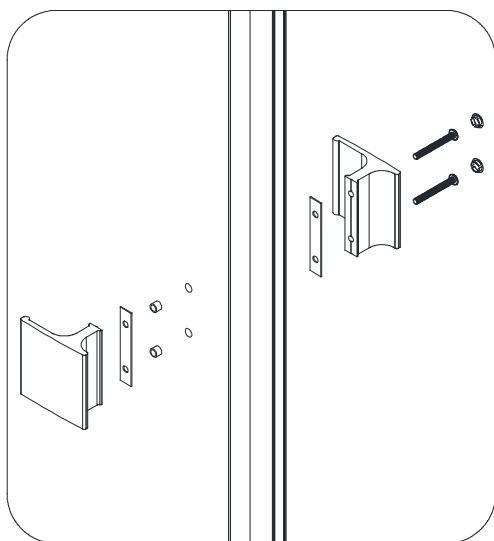
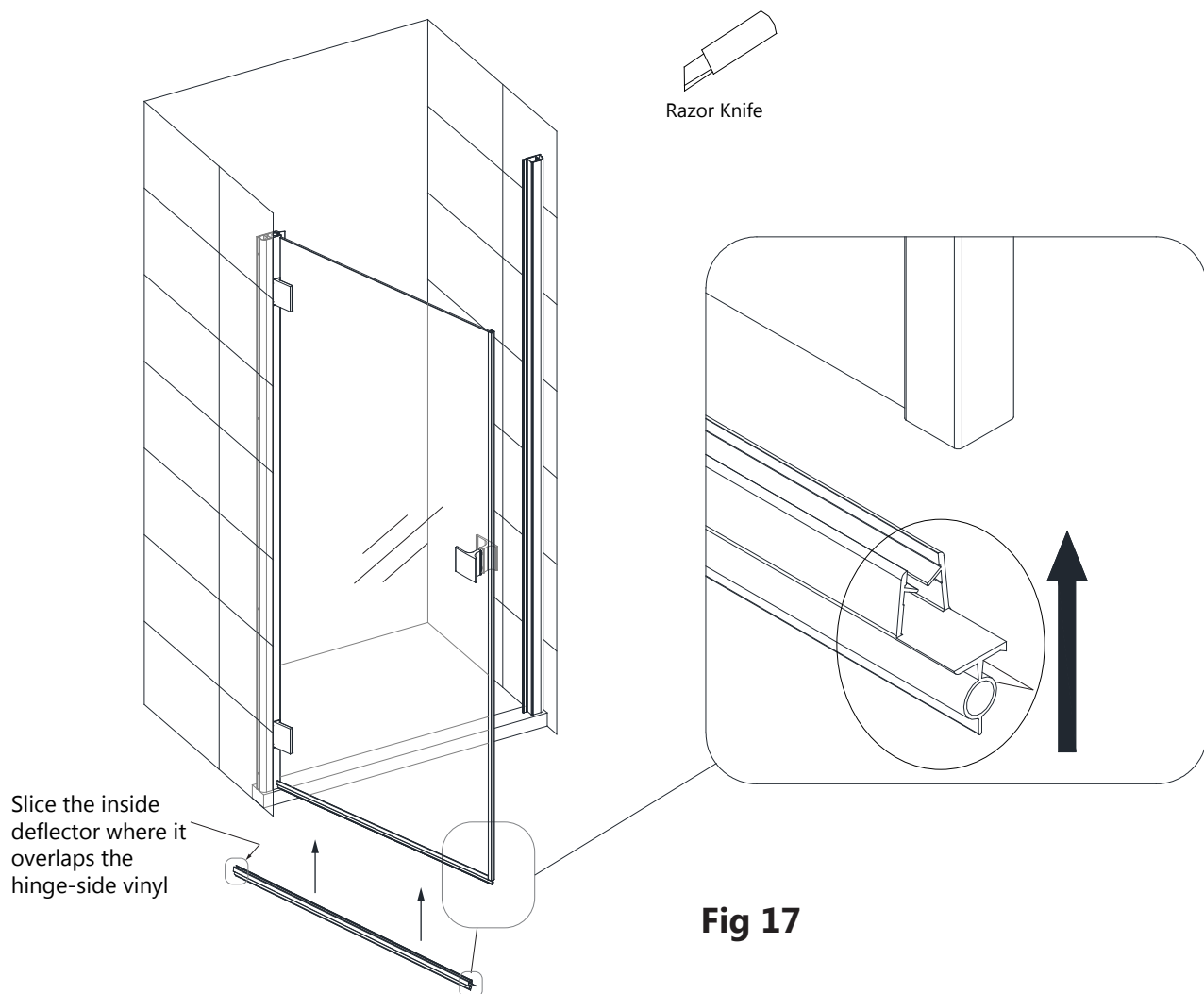


Fig 16

14. Notch the strike end of the **Bottom Strip (#12)** with a razor knife to fit around the **Strike Rail (#07)** on the edge of the **Door Glass (#06)**. Install the **Bottom Strip (#12)** onto the bottom of the **Door Glass (#06)**. **(Fig 17)**



15. From inside the shower, apply a good quality mildew-resistant silicone where the profiles meet the walls. Silicone may also be applied on the outside of the profiles if necessary. **(Fig 18)**

Allow 24 hours for the silicone to fully cure before using the shower.

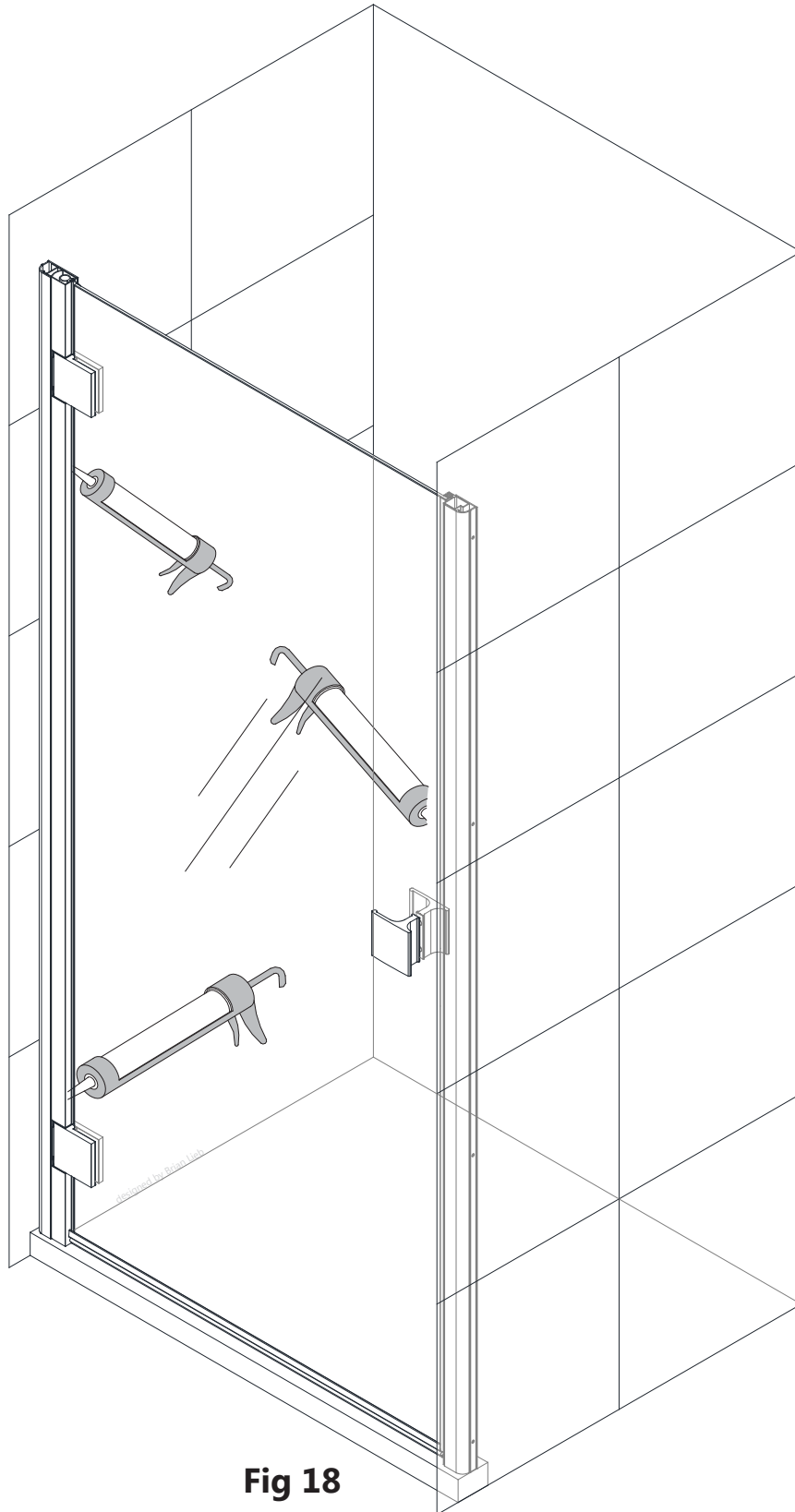
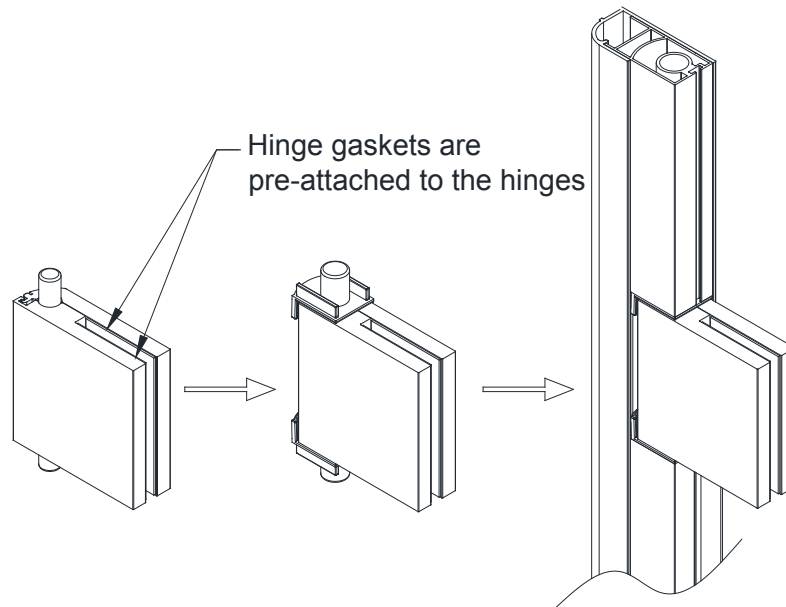
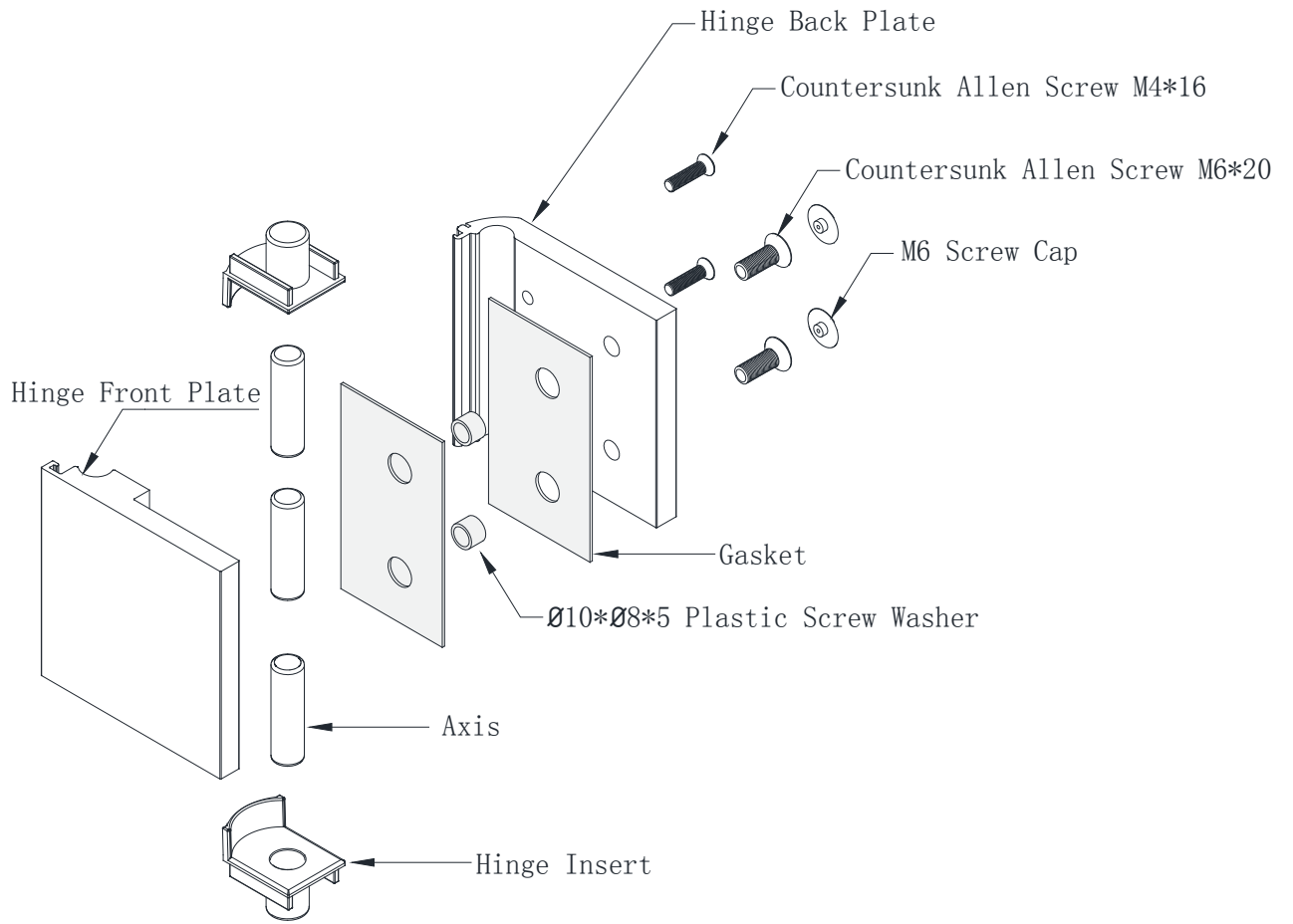


Fig 18

Hinge Assembly Detail



Product Maintenance

BASES and BACKWALLS: To ensure long lasting life for your acrylic back walls: wipe them off after each use with a soft cloth. To clean the acrylic back walls use non-abrasive sprays or cream based cleaners. Avoid the use of aerosol spray cleaners. Never use abrasive cleansers, metal brushes or scrapers that could scratch or dull the surface.

GLASS: To ensure long lasting life for your glass shower products: wipe them off after each use with a soft cloth. Rinse and wipe off the glass using either a soft cloth or a squeegee to prevent soap buildup and water spots (Hard water can etch the surface of the glass over time if left to dry). To prevent scratching the surface: never use abrasive cleaners or cleaning products that contain scouring agents. Never use bristle brushes or abrasive sponges that may scratch the surface.

HARDWARE: To ensure a long lasting finish: wipe off the metal parts after each use with a soft cloth. Do not use abrasive cleaners or cleaning products containing ammonia, bleach or acid. If accidentally used, rinse the surface as soon as possible to prevent damage to the finish (peeling or corrosion). After cleaning the polished finishes, rinse thoroughly and wipe dry with soft cloth. Clean stainless steel surfaces at least once a week. When applying stainless steel cleaner or polish to stainless steel hardware, work with (not across) the grain. Never use an abrasive sponge or cloth, steel wool or wired brush as these may permanently scratch the surfaces.

NOTE: To maximize the life of your door, it is important to regularly inspect the glass and all hardware for misalignment, proper attachment, and/or damage. Contact DreamLine® with any questions or concerns.

DreamLine® shower doors are designed not to leak under normal usage when installed properly, and the water flow is not pointed directly at the vinyl seals or hinges.



TEL: 866-731-2244
FAX: 866-857-3638
DREAMLINE.COM

For more information on DreamLine[®] Shower Doors and Enclosures please visit **DreamLine.com**