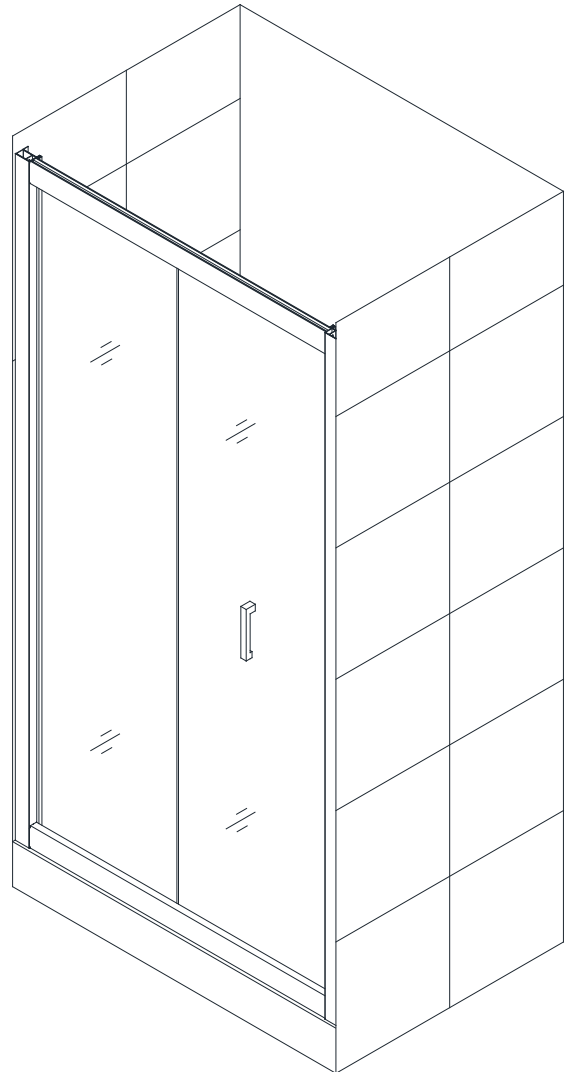
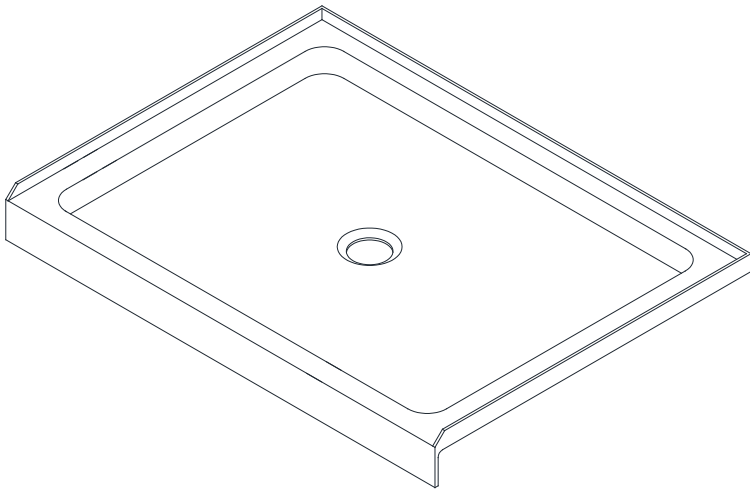


Butterfly Shower Door & Base

SHOWER DOOR AND BASE INSTALLATION INSTRUCTIONS

IMPORTANT

DreamLine[®] reserves the right to alter, modify or redesign products at any time without prior notice. For the latest up-to-date technical drawings, manuals, warranty information or additional details please refer to your model's web page on **DreamLine.com**



STEP 1: Shower Base Installation Instructions

STEP 2: Shower Door Installation Instructions



Questions?

Please Call **DreamLine** Customer Support: **1-855-831-2126**
Hours of Operation M-F 8AM - 7PM EST and Saturday 9AM - 5PM EST

Support@DreamLine.com



For more information about DreamLine[®] Shower Doors, Tub Doors & Enclosures, please visit **DreamLine.com**

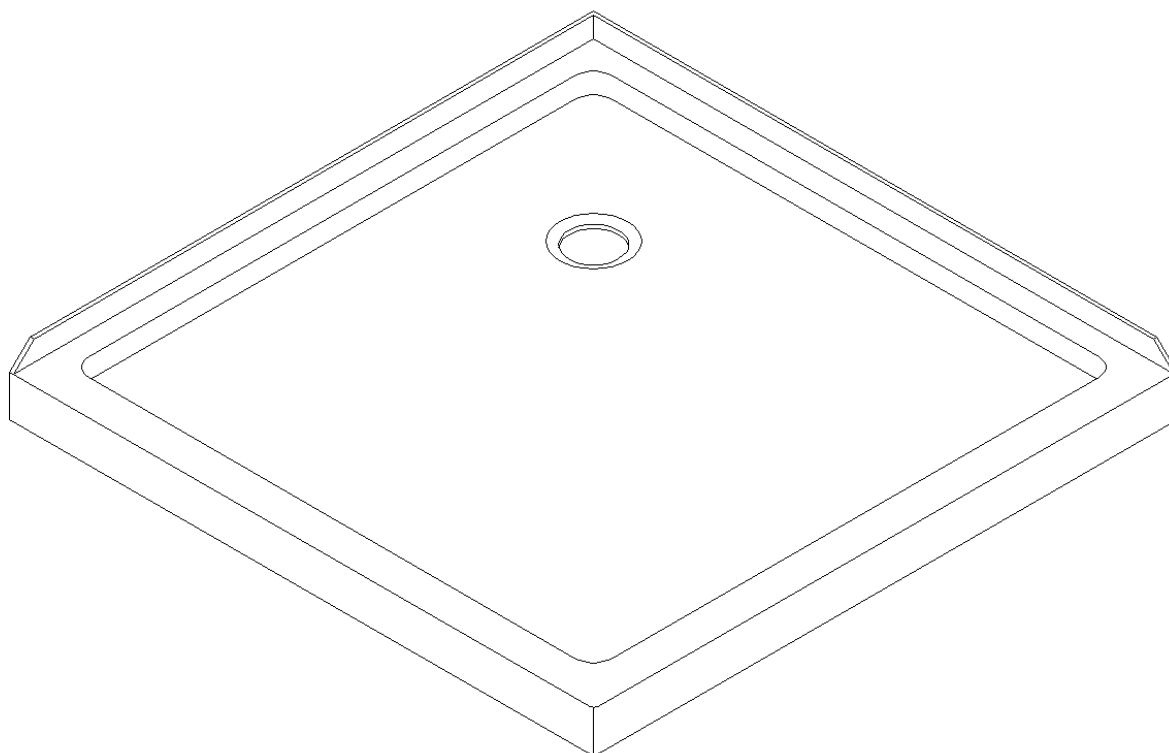


SLIMLINE SHOWER BASE

SHOWER BASE DIMENSIONS AND INSTALLATION INSTRUCTIONS

IMPORTANT!

DreamLine® reserves the right to alter, modify or redesign products at any time without prior notice. For the latest up-to-date technical drawings, manuals, warranty information or additional details please refer to your model's web page on DreamLine.com



Double Threshold Shower Base with Corner Drain Configuration
shown as an example

Color options:

- - White
- 22- Biscuit
- 88- Black

Please review this entire manual before beginning installation



Questions?

Please Call **DreamLine Customer Support: 1-855-831-2126**
Hours of Operation M-F 8AM - 7PM EST and Saturday 9AM - 5PM EST

Support@DreamLine.com



For more information about DreamLine® products please visit DreamLine.com

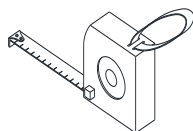
Preparation

1. Prior to installation, examine all boxes and packages for shipping damage and compare the piece count with your packing slip. After opening all boxes and packages read this introduction carefully. Check that all of the needed parts are included in the package by checking off the components on the "Detailed Diagram of Shower Door Components". If the unit has been damaged, has a finishing defect, or has missing parts, please contact our customer support department within **3 business days** of the delivery date. Please note that **DreamLine® will not replace any damaged products or missing parts free of charge after 3 business days or if the product has been installed.** Please contact DreamLine® if you have any questions and please provide an order number, job name or other proof of purchase to help identify the original order.
2. Install all of the required plumbing and drainage before installing the shower base. **Use a competent and licensed (if required by local code) plumber for all plumbing installation.**
3. **Shower bases must be installed by a licensed plumber. Please note that you should consult your local building codes with questions on installation compliance standards. Building and plumbing codes may vary by location and DreamLine® is not responsible for code compliance standards for your project.**
4. Make sure that prior to the installation the installation surface is leveled and solid and will be able to support the total weight of the unit. Also make sure the walls are at right angles. While some adjustment in leveling of the tray is possible, irregular installation surface level or improper angle of side walls will result in serious problems for your installation. Please note that some adjustments may be necessary during the installation process.
5. **Center drain configurations are centered on the width only. See technical drawing tables for drain locations.**
6. **Drain not included with this product.** The drain *opening* is 3-3/8" in diameter and **accepts a standard 2" compression fitted drain.**

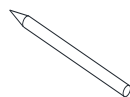
IMPORTANT NOTE:

Dimensions provided are for reference only. Measure the actual shower tray before installation. This includes overall dimensions and drain location. Allowed tolerance for center of the drain is +/-1/2".

Tools Required



Tape
Measure



Pencil



Level

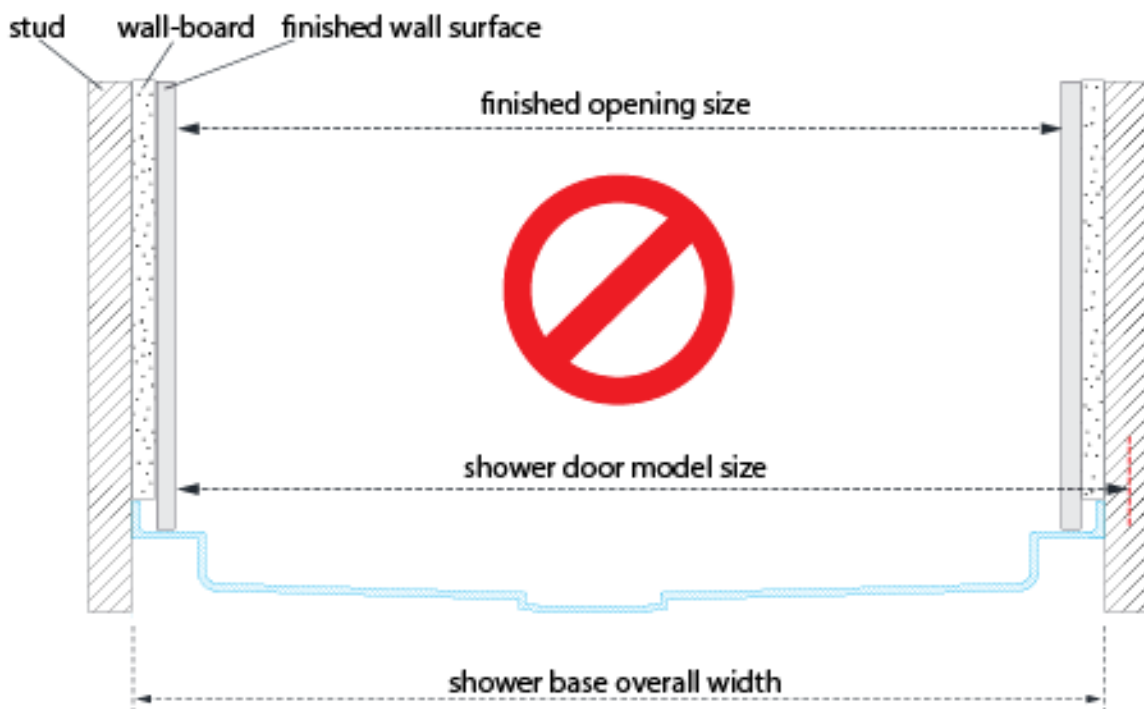
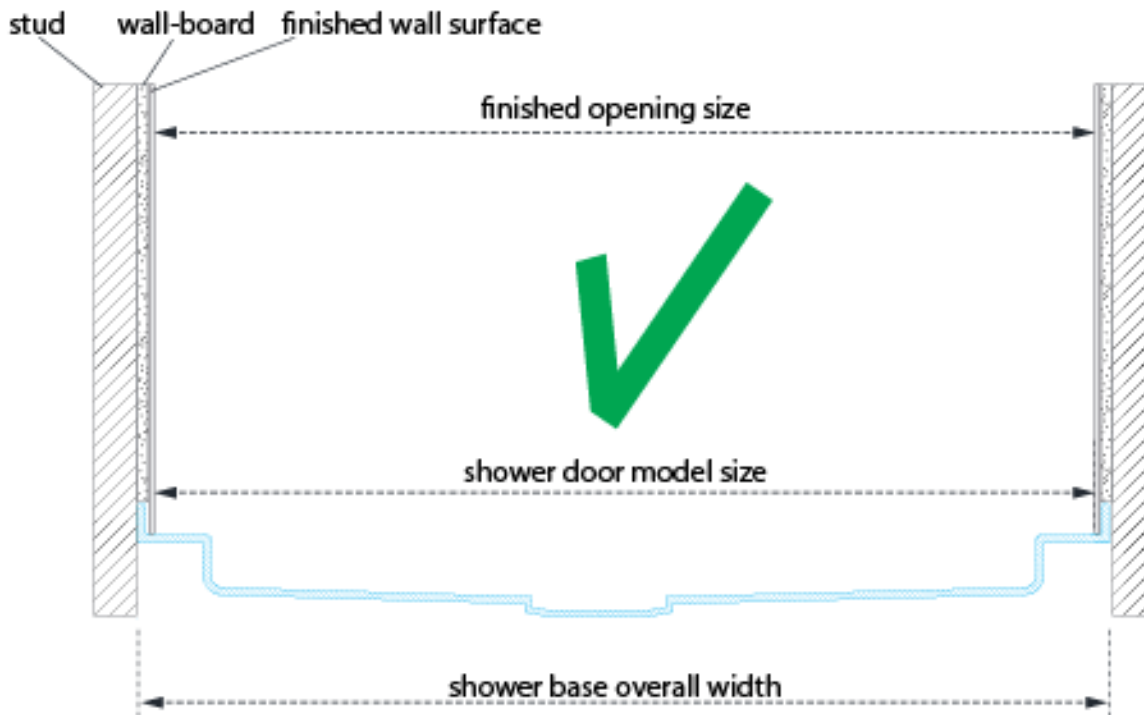


Mortar



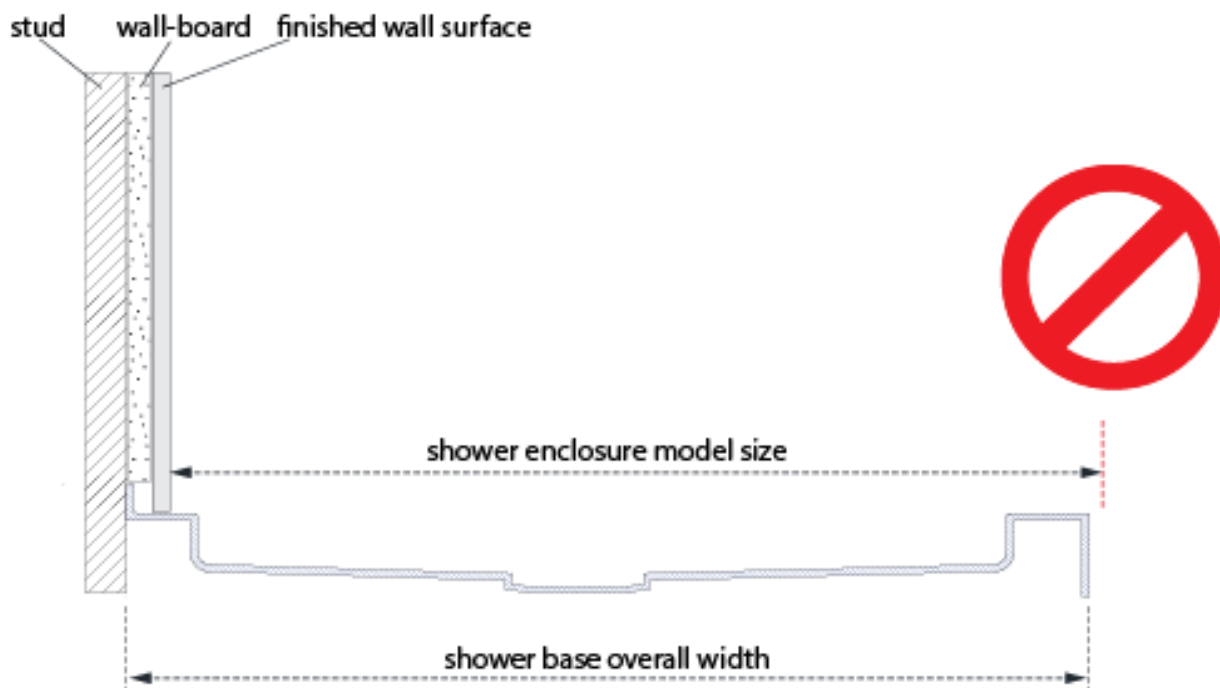
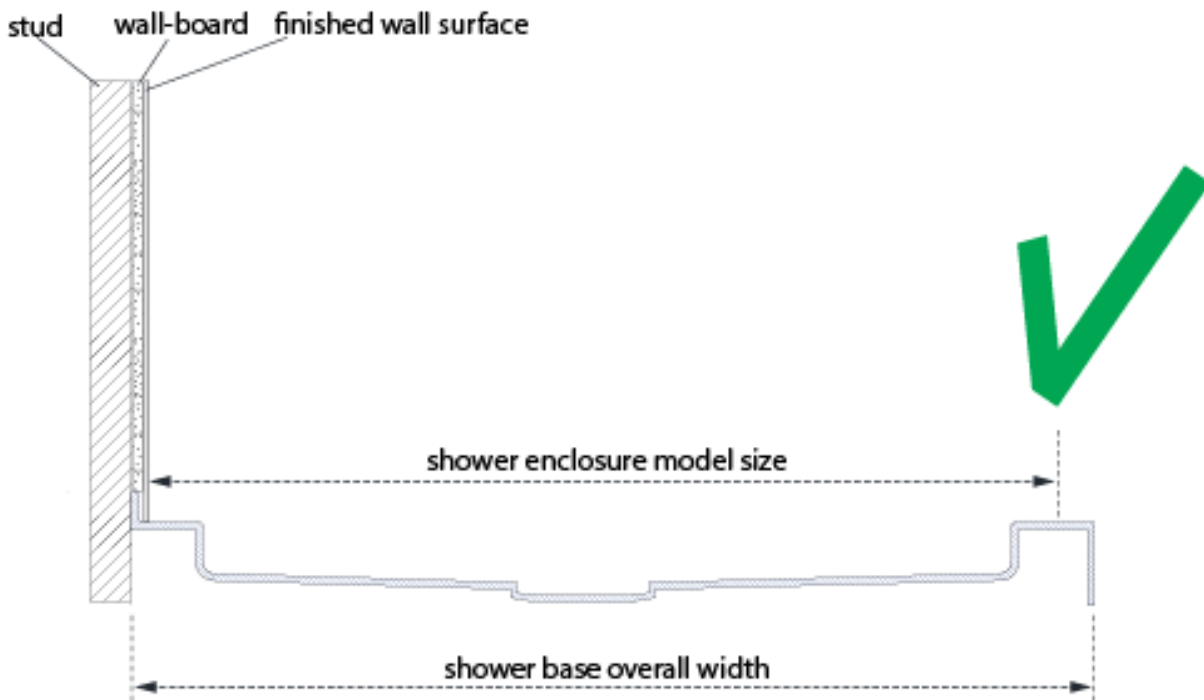
When constructing or installing a shower base, consider how **the thickness of the wall treatment (wallboard, tile, etc.) will affect the finished opening size for the shower door.**

Compare the overall dimensions of the shower door model with the finished opening size before proceeding with the installation.



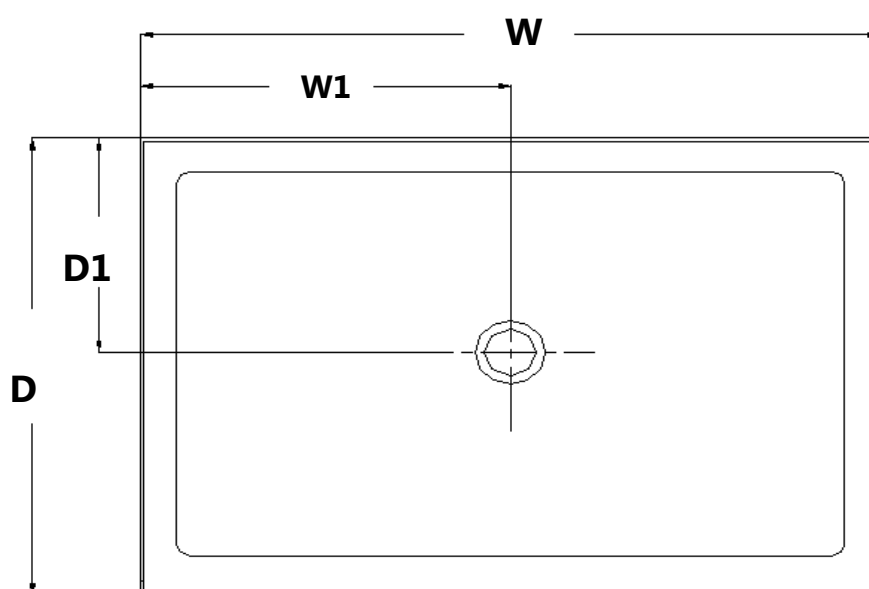
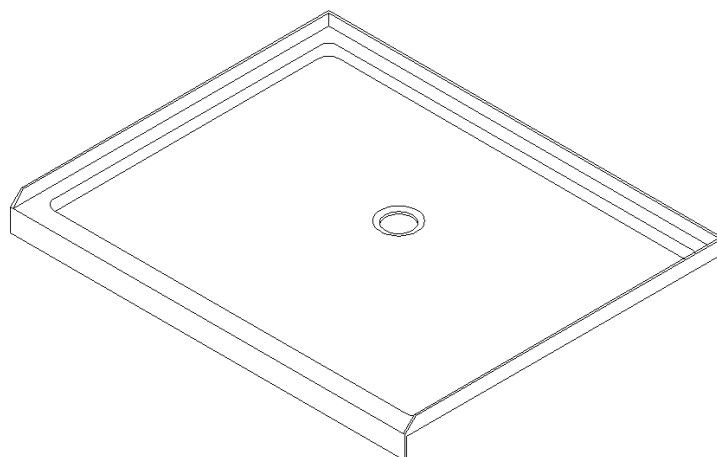


When constructing or installing a shower base, consider how **the thickness of the wall treatment (wallboard, tile, etc.) will affect where the shower enclosure will sit on the threshold.** Compare the overall outside dimensions of the shower enclosure model size with the finished threshold before proceeding with the installation.



SINGLE THRESHOLD SHOWER BASE

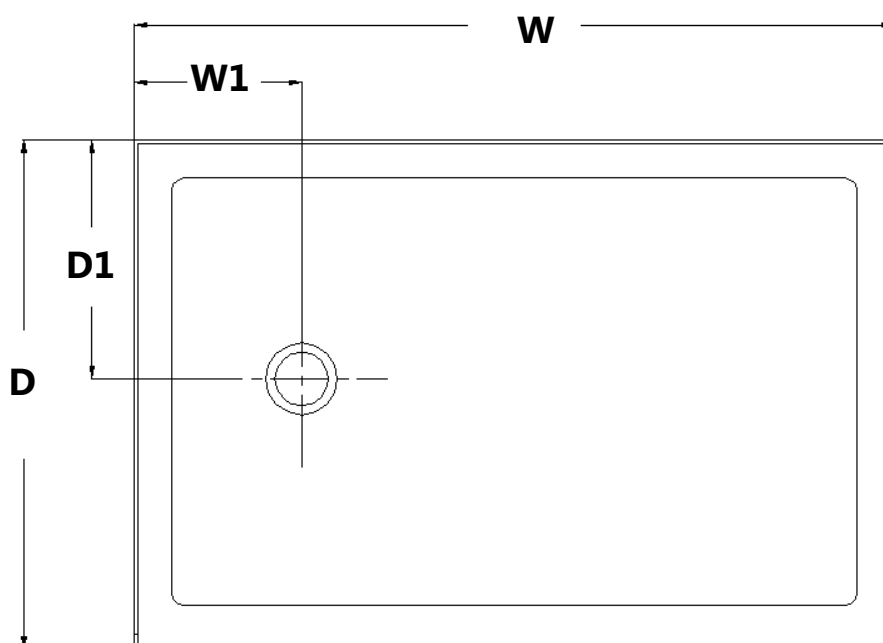
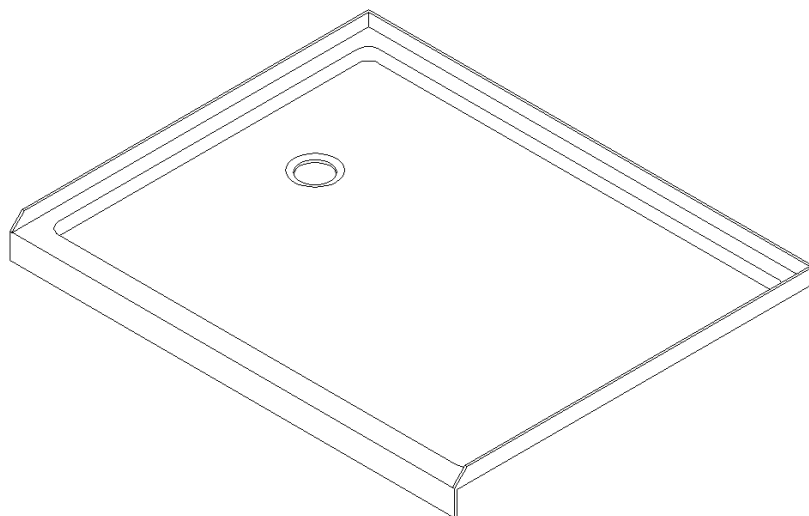
Center Drain Configuration



MODEL	SPECIFICATION	D (in)	W (in)	D1 (in)	W1 (in)
DLT-1132320	32" x 32"	32"	32"	15"	16"
DLT-1136360	36" x 36"	36"	36"	15"	18"
DLT-1132420	32" x 42"	32"	42"	15"	21"
DLT-1134420	34" x 42"	34"	42"	15"	21"
DLT-1136420	36" x 42"	36"	42"	15"	21"
DLT-1142420	42" x 42"	42"	42"	20"	21"
DLT-1132480	32" x 48"	32"	48"	15"	24"
DLT-1134480	34" x 48"	34"	48"	15"	24"
DLT-1136480	36" x 48"	36"	48"	15"	24"
DLT-1132540	32" x 54"	32"	54"	15"	27"
DLT-1134540	34" x 54"	34"	54"	15"	27"
DLT-1136540	36" x 54"	36"	54"	15"	27"
DLT-1130600	30" x 60"	30"	60"	15"	30"
DLT-1132600	32" x 60"	32"	60"	15"	30"
DLT-1134600	34" x 60"	34"	60"	15"	30"
DLT-1136600	36" x 60"	36"	60"	15"	30"

SINGLE THRESHOLD SHOWER BASE

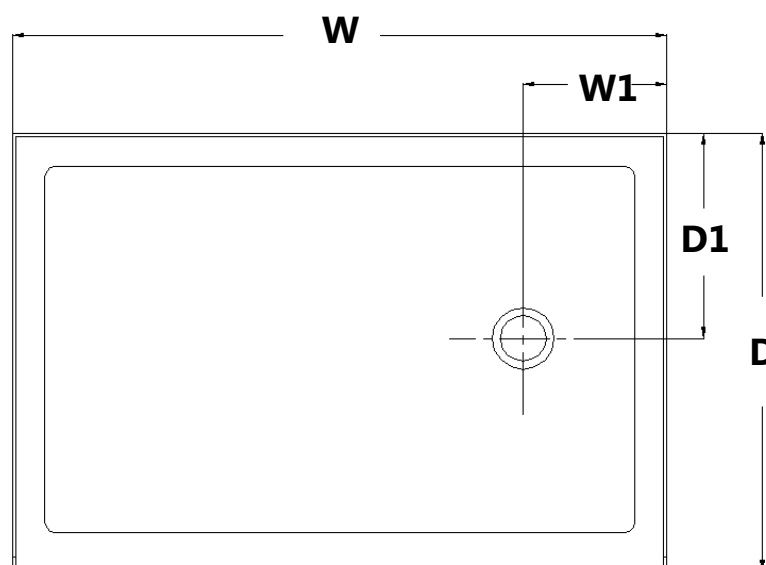
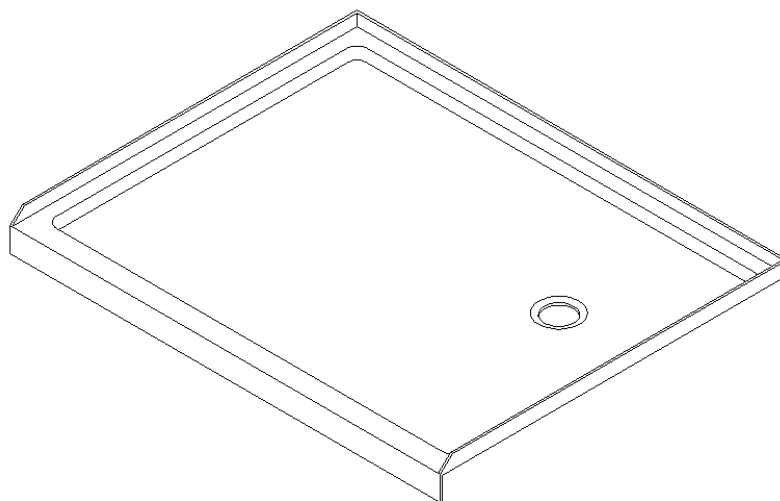
Left-Hand Drain Configuration



MODEL	SPECIFICATION	D (in)	W (in)	D1 (in)	W1 (in)
DLT-1130601	30"×60"	30"	60"	15"	12"
DLT-1132601	32"×60"	32"	60"	15"	12"
DLT-1134601	34"×60"	34"	60"	17"	12"
DLT-1136601	36"×60"	36"	60"	18"	12"

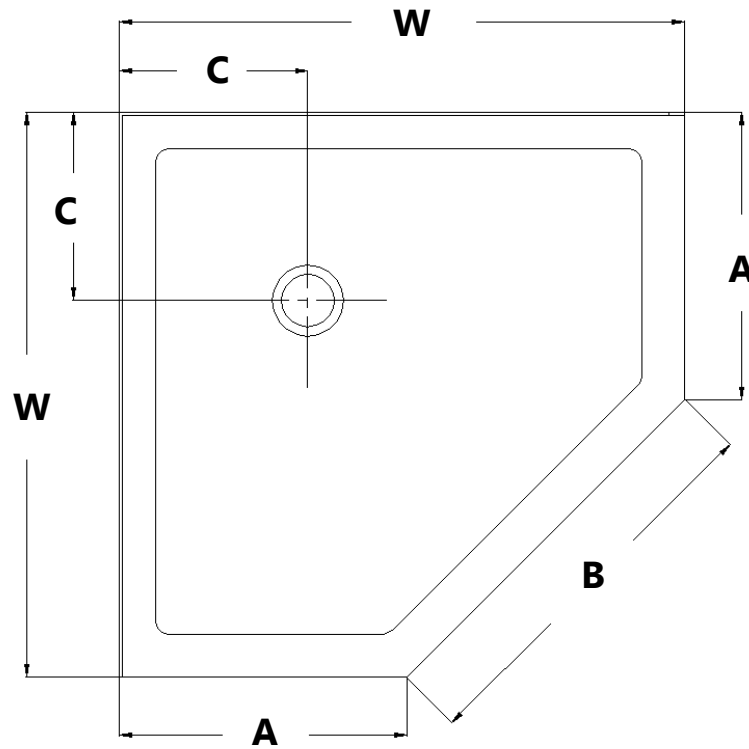
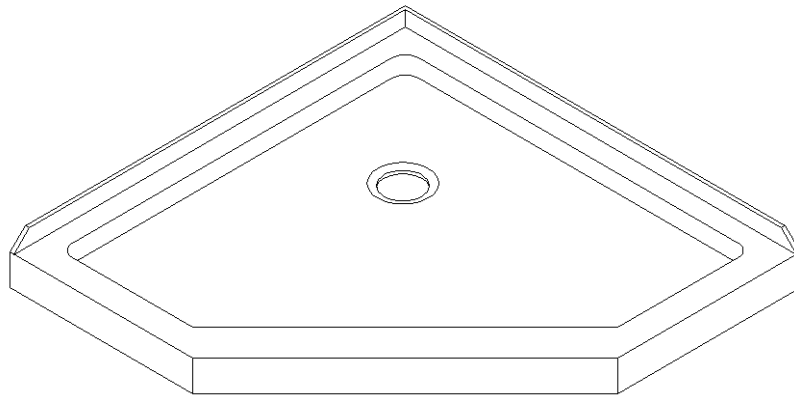
SINGLE THRESHOLD SHOWER BASE

Right-Hand Drain Configuration



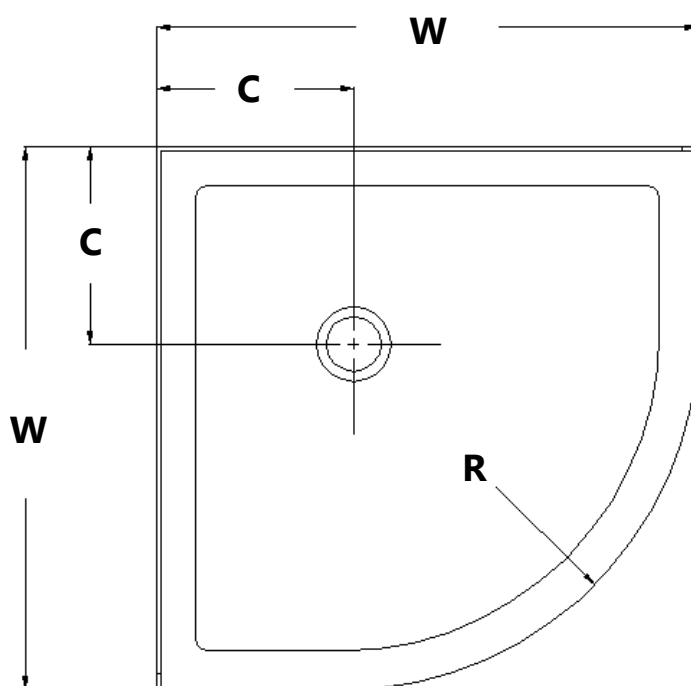
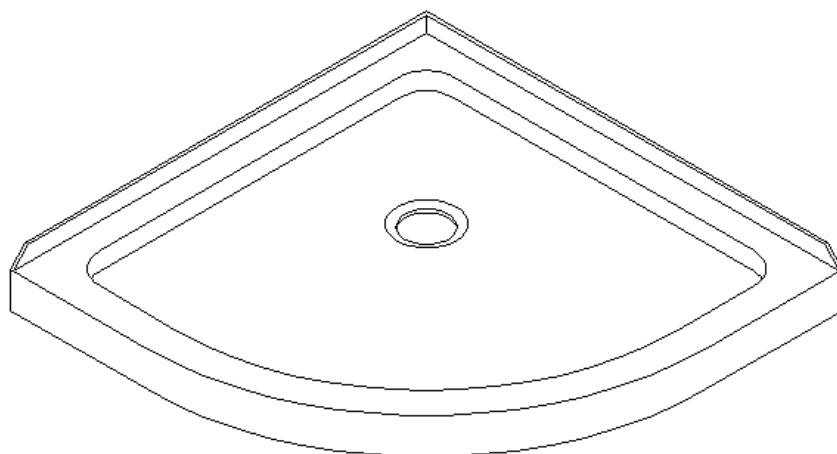
MODEL	SPECIFICATION	D (in)	W (in)	D1 (in)	W1 (in)
DLT-1130602	30"×60"	30"	60"	15"	12"
DLT-1132602	32"×60"	32"	60"	15"	12"
DLT-1134602	34"×60"	34"	60"	17"	12"
DLT-1136602	36"×60"	36"	60"	18"	12"

NEO ANGLE SHOWER BASE



MODEL	SPECIFICATION	W (in)	A (in)	B (in)	C (in)
DLT-2036360	36"×36"	36"	18 5/16"	25"	12"
DLT-2038380	38"×38"	38"	20 5/16"	25"	12"
DLT-2040400	40"×40"	40"	22 5/16"	25"	14 3/8"
DLT-2042420	42"×42"	42"	24 5/16"	25"	14 3/8"

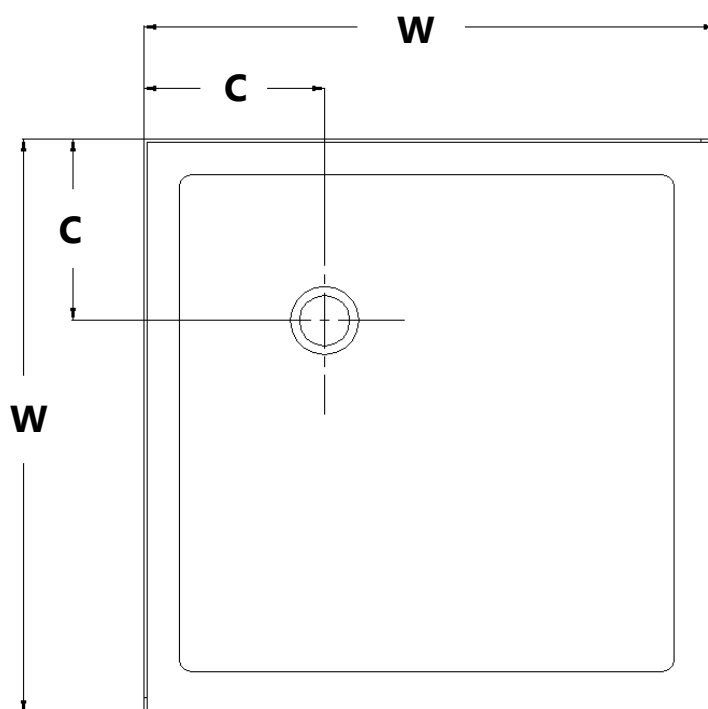
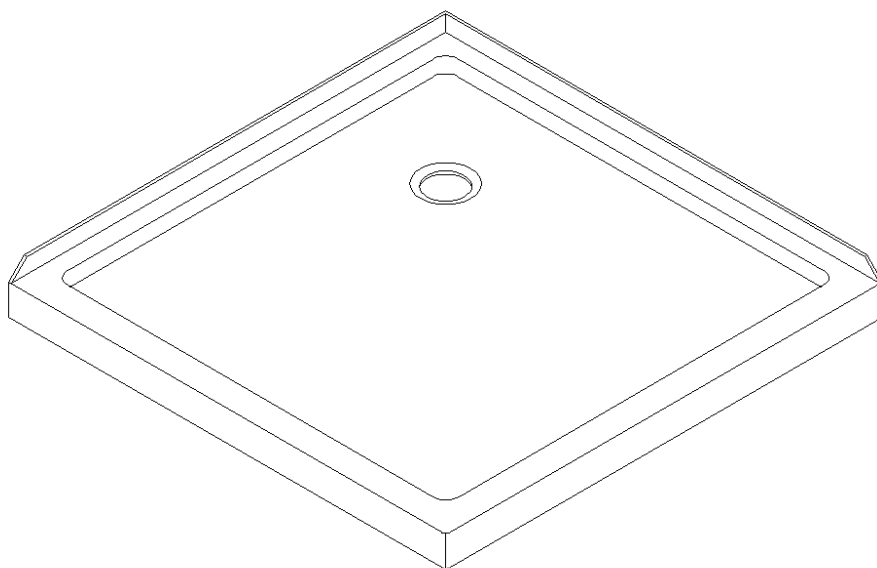
QUARTER ROUND SHOWER BASE



MODEL	SPECIFICATION	W (in)	C (in)	R (in)
DLT-7033330	33"×33"	33"	12"	21 5/8"
DLT-7036360	36"×36"	36"	12"	21 5/8"
DLT-7038380	38"×38"	38"	12"	21 5/8"

DOUBLE THRESHOLD SHOWER BASE

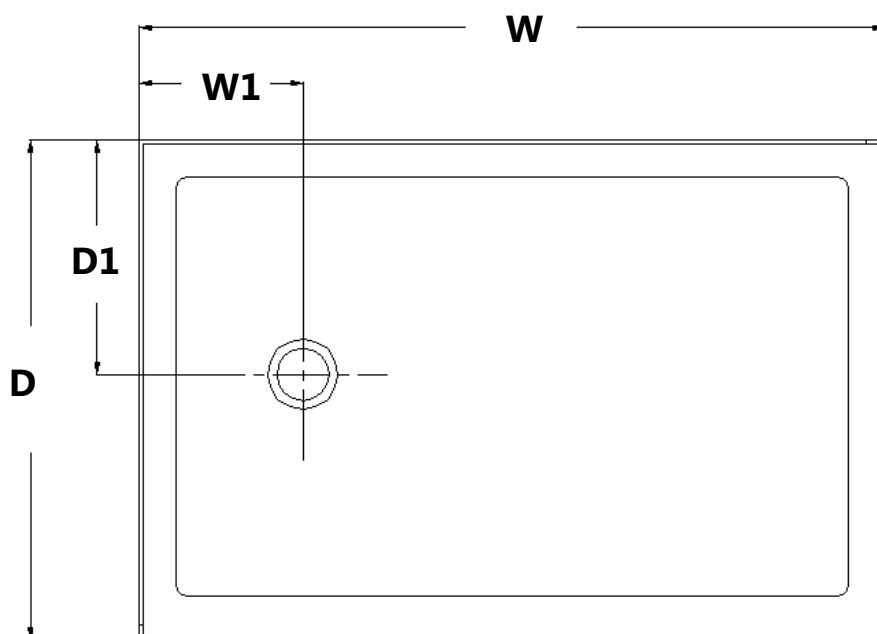
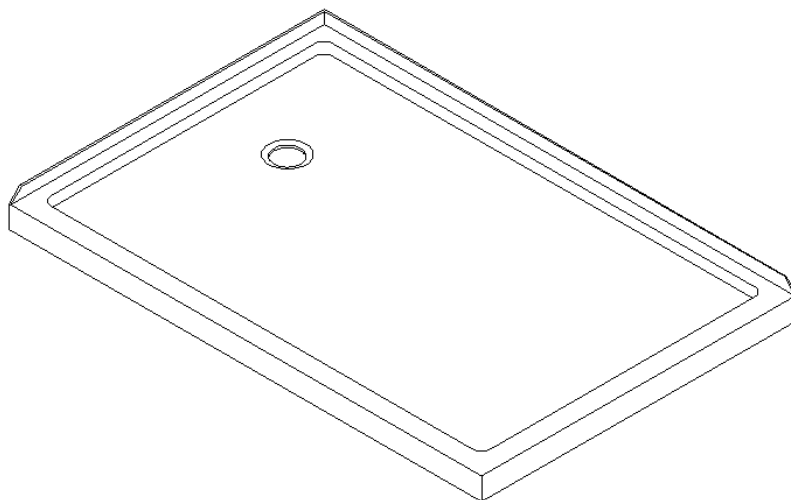
Corner Drain Configuration



MODEL	SPECIFICATION	W (in)	C (in)
DLT-1032320	32"×32"	32"	12"
DLT-1036360	36"×36"	36"	12"

DOUBLE THRESHOLD SHOWER BASE

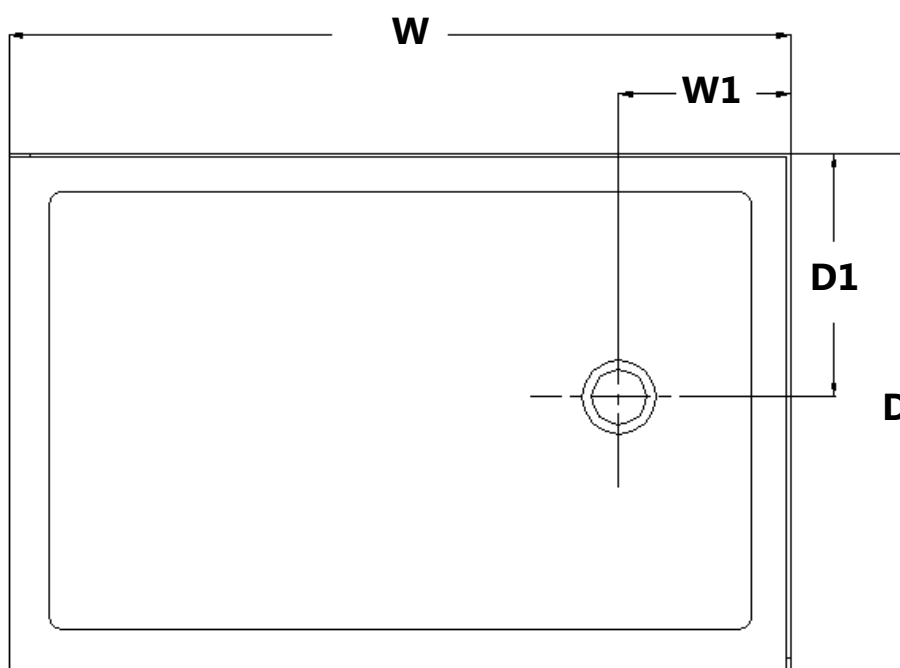
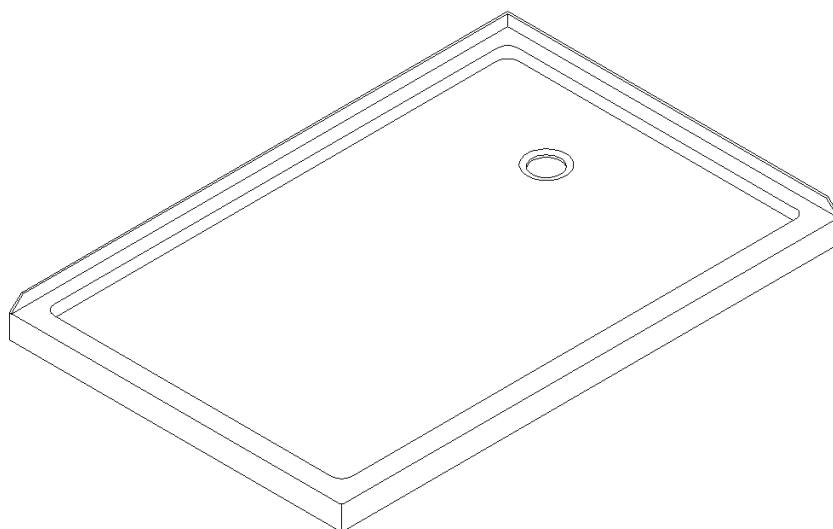
Left-Hand Drain Configuration



MODEL	SPECIFICATION	D (in)	W (in)	D1 (in)	W1 (in)
DLT-1034481	34"×48"	34"	48"	17"	12"
DLT-1036481	36"×48"	36"	48"	18"	12"
DLT-1036541	36"×54"	36"	54"	18"	12"
DLT-1036601	36"×60"	36"	60"	18"	12"

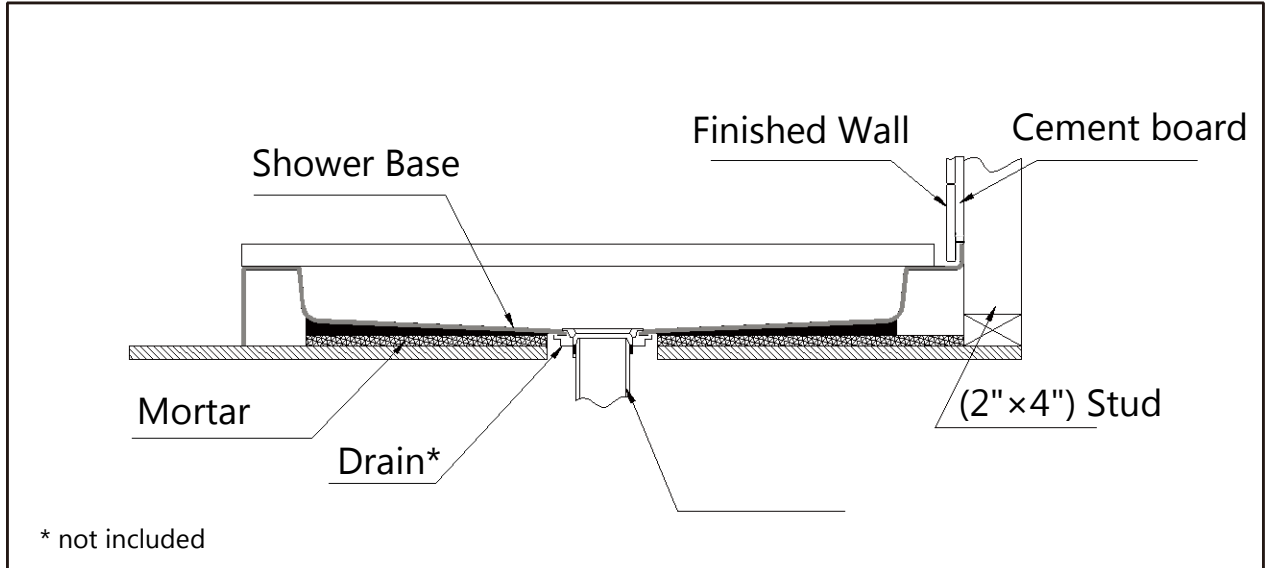
DOUBLE THRESHOLD SHOWER BASE

Right-Hand Drain Configuration



MODEL	SPECIFICATION	D (in)	W (in)	D1 (in)	W1 (in)
DLT-1034482	34"×48"	34"	48"	17"	12"
DLT-1036482	36"×48"	36"	48"	18"	12"
DLT-1036542	36"×54"	36"	54"	18"	12"
DLT-1036602	36"×60"	36"	60"	18"	12"

Shower Base Cross Section Diagram



Shower Base Installation - Preparation

1. Ensure that the floor and the studs are at right angles.
Provide a 5"×5" opening in the sub-floor for the drain.
The 2" PVC waste pipe should extend above the surface of the sub-floor according to the drain installation instructions and the height of the Shower base.
Refer to the product drawings and tables in this installation manual for the drain location.

See Fig. 1 and Fig. 2 for details.

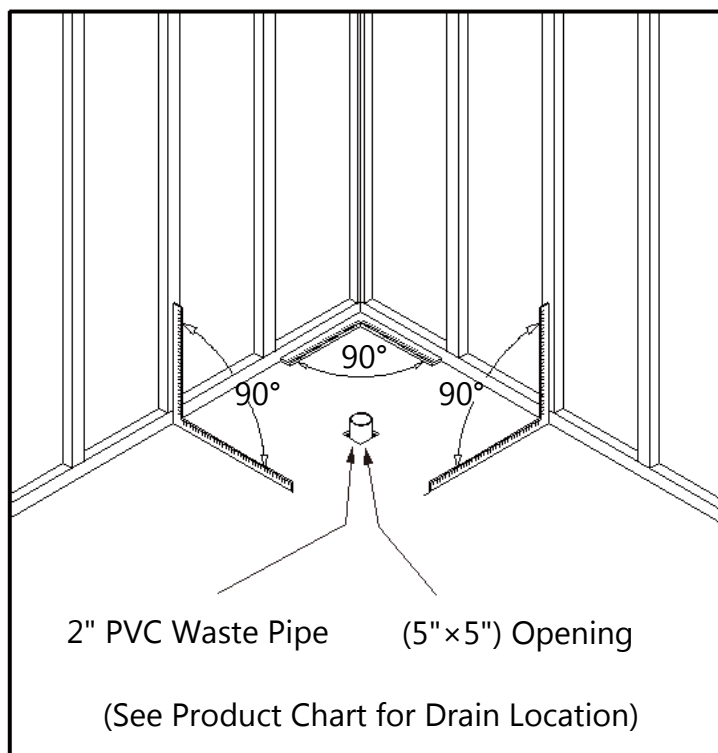


Fig. 1

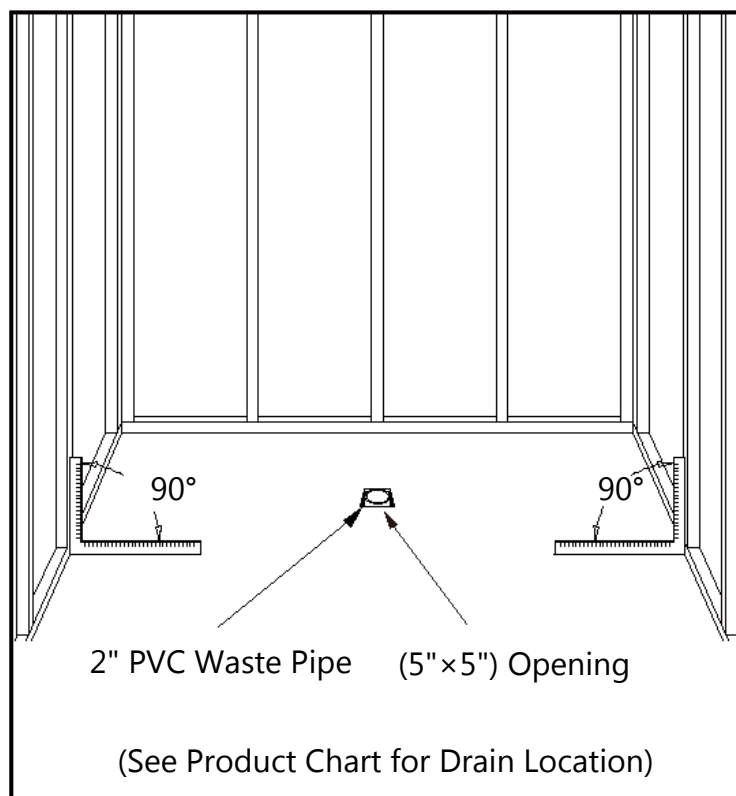


Fig. 2

2. Install the shower drain (**NOT INCLUDED**) according to the drain installation manual (supplied with the drain).

See Fig. 3 for example

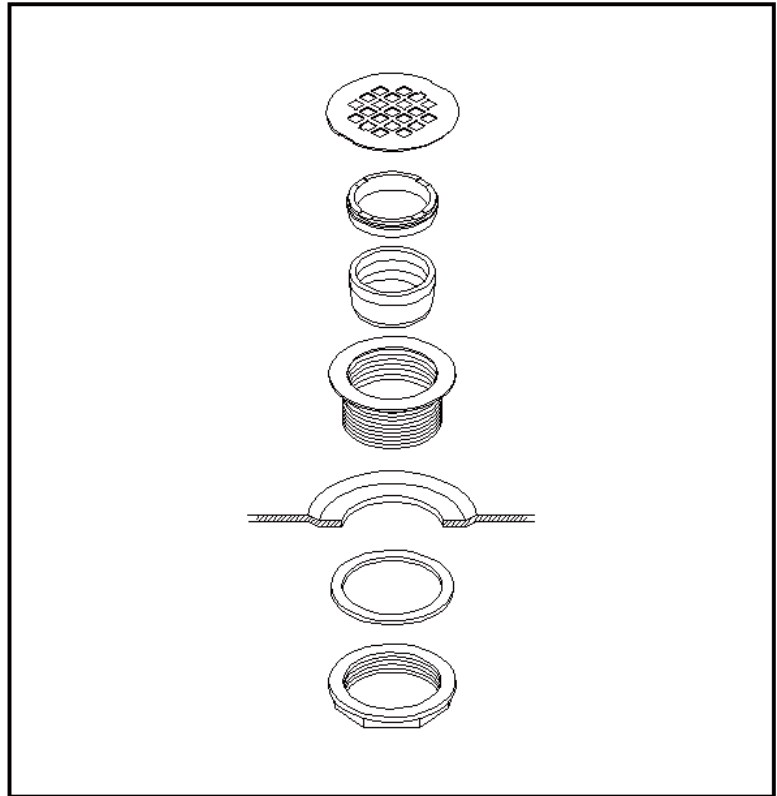
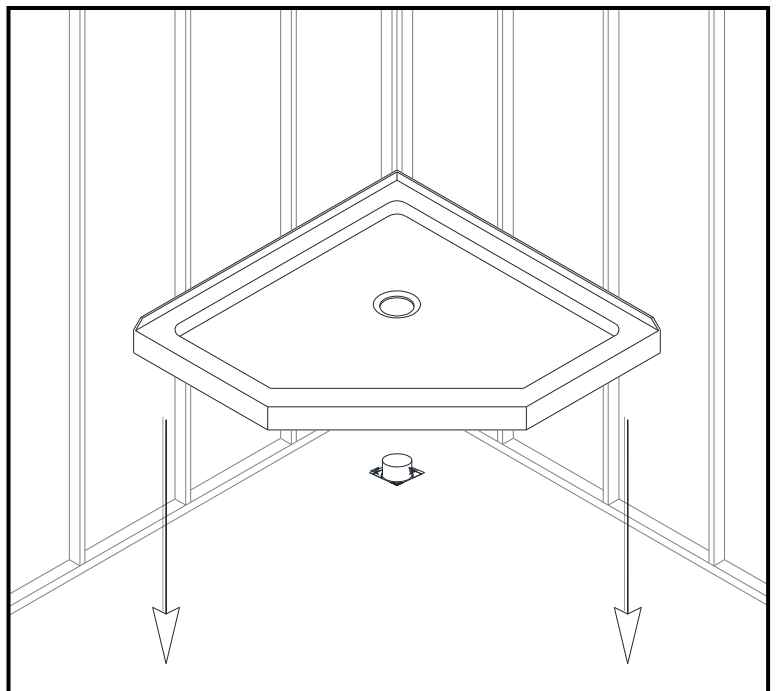


Fig. 3

3. Place the tray into the designated position so that the Drain cutout drops around the Drain Pipe and butt the Shower Base up against the studs.

See Fig. 4 for details.



Lower the base over the drain pipe and set it into place against the studs.

Fig. 4

4. Level the tray and place marks on the studs above the upper edge of the tile flange.

See Fig. 5 for details.

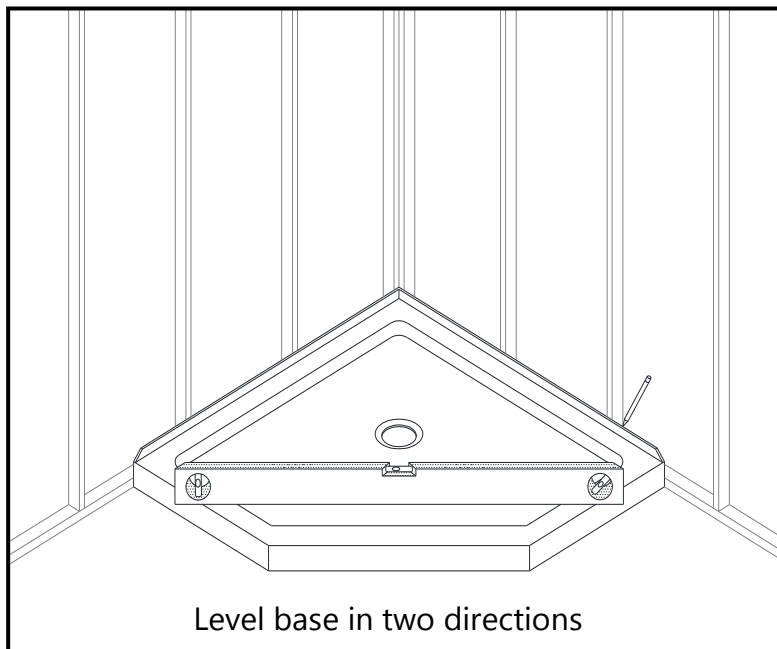


Fig. 5

5. Mix the bedding material (Mortar, cement-sand mix, etc.) **Concrete or plaster is not recommended.** Apply enough bedding material to support the entire bottom of the shower base. This will add additional stability and prevent the base from shifting position.

See Fig. 6 for details.

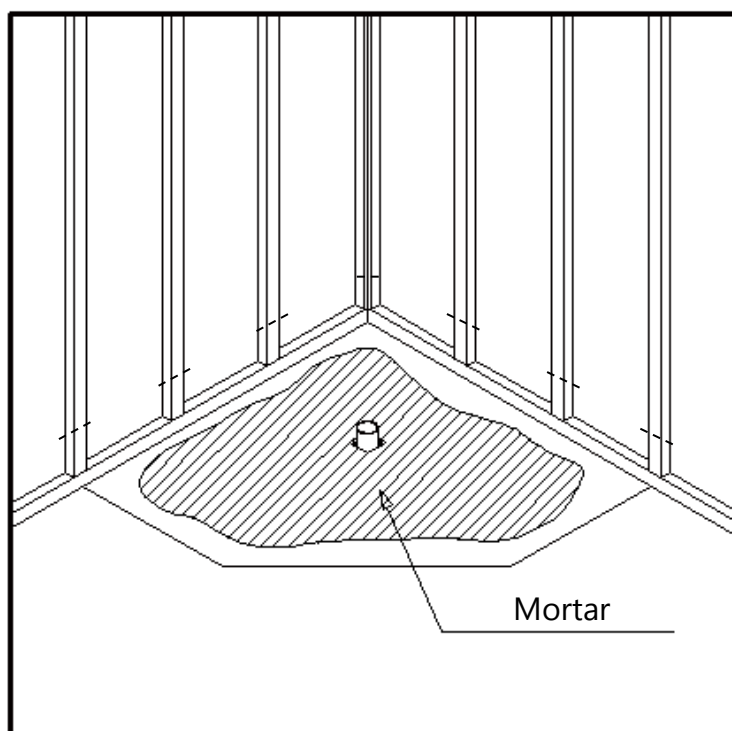


Fig. 6

6. After the bedding material has been poured and *before* it sets, place the shower base into the position with the drain assembly sliding over the PVC waste pipe. It will be necessary to push the shower base until the top of the tile flange aligns with the marks drawn on the studs and the front edge is contacting the rough floor along the entire length of the shower base. Ensure that the base is level in all directions. You may need to use shims to hold the tray level until the bedding fully sets. Remove all excess mortar.

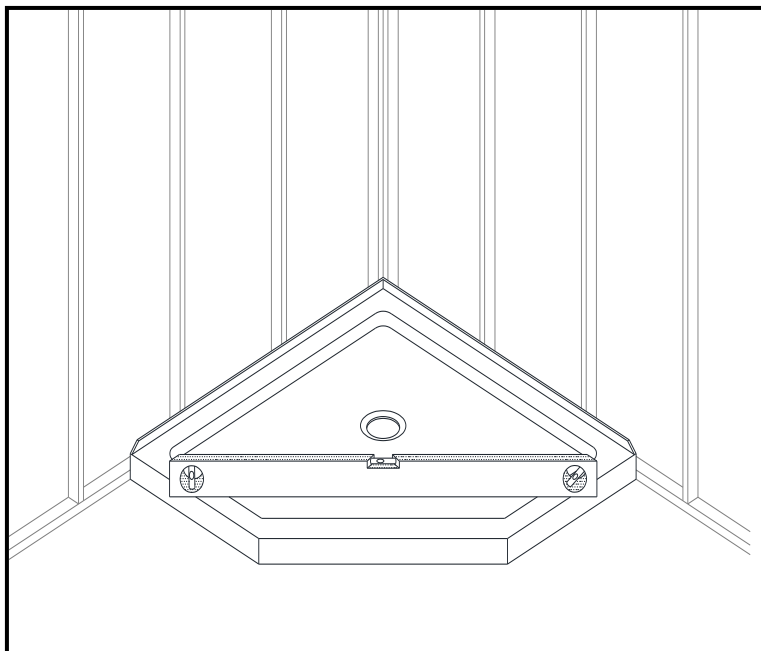


Fig. 7

7. Allow the bedding material to completely harden before applying weight to the bottom of the shower base.

Install the cement board (or the wallboard) above the tile flanges and secure it to the studs. Put the tiles (or other finishing wall material) over the cement board leaving 1/8" gap between the bottom of the tile or wall kit and the shower base. Use caulk to fill the gap.

See Fig. 8 and Fig. 9 for details.

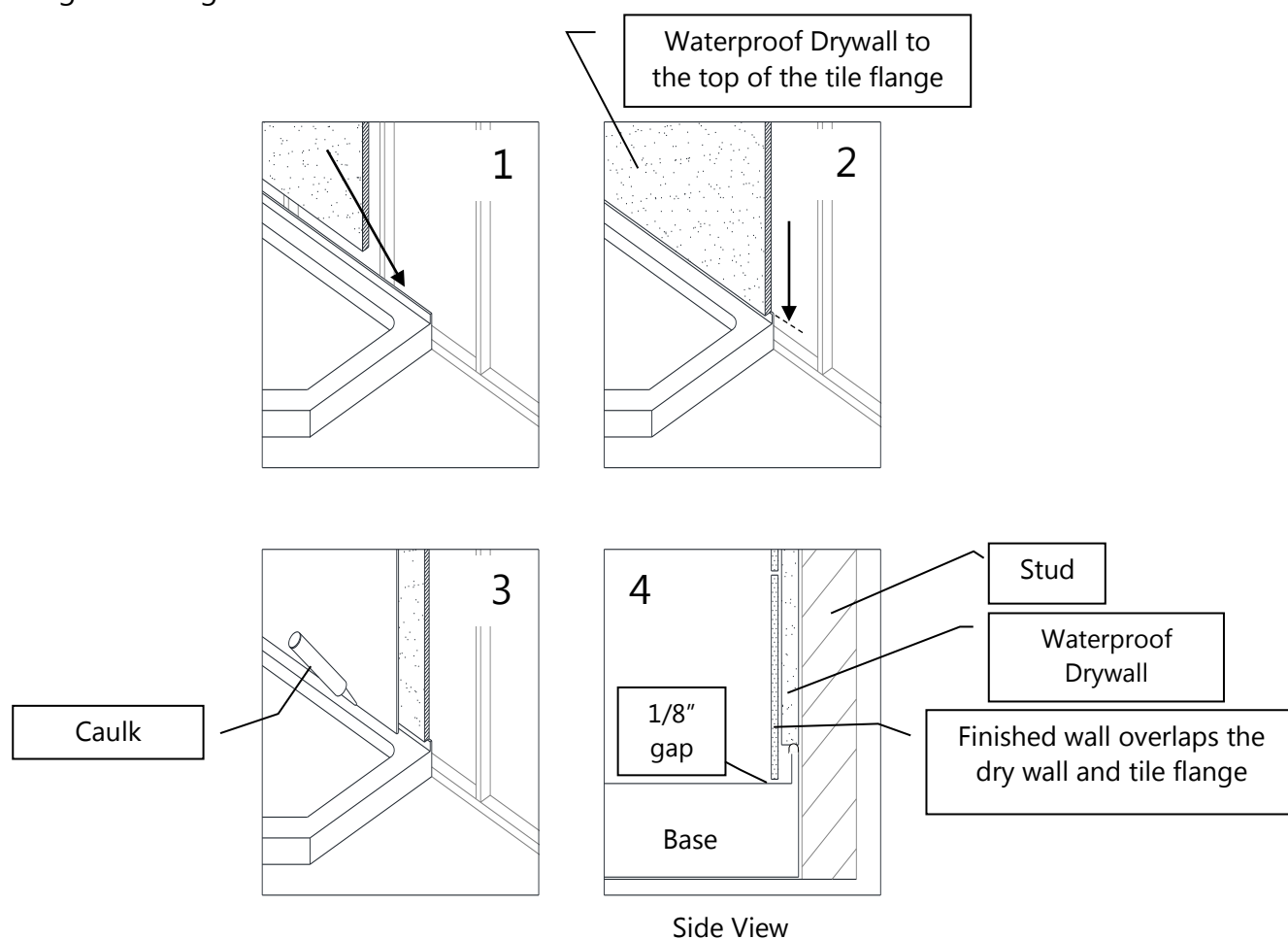


Fig. 8

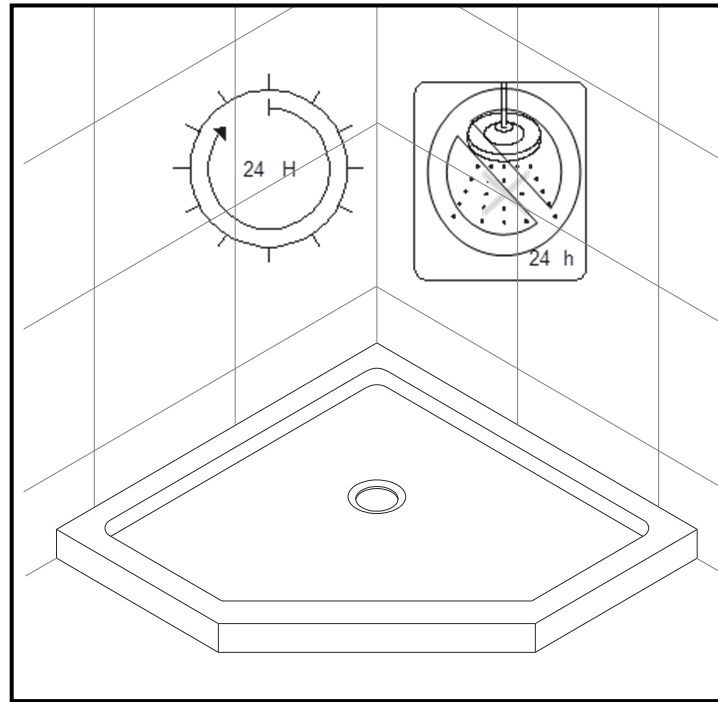


Fig. 9

Product Maintenance

BASES and BACKWALLS: To ensure long lasting life for your acrylic base and/or back walls: wipe them off after each use with a soft cloth. To clean the acrylic base or back walls use non-abrasive sprays or cream based cleaners. Avoid the use of aerosol spray cleaners. Never use abrasive cleansers, metal brushes or scrapers that could scratch or dull the surface.

GLASS: To ensure long lasting life for your glass shower products: wipe them off after each use with a soft cloth. Rinse and wipe off the glass using either a soft cloth or a squeegee to prevent soap buildup and water spots (Hard water can etch the surface of the glass over time if left to dry). To prevent scratching the surface: never use abrasive cleaners or cleaning products that contain scouring agents. Never use bristle brushes or abrasive sponges that may scratch the surface.

HARDWARE: To ensure a long lasting finish: wipe off the metal parts after each use with a soft cloth. Do not use abrasive cleaners or cleaning products containing ammonia, bleach or acid. If accidentally used, rinse the surface as soon as possible to prevent damage to the finish (peeling or corrosion). After cleaning the polished finishes, rinse thoroughly and wipe dry with a soft cloth.

Clean stainless steel surfaces at least once a week. When applying stainless steel cleaner or polish to stainless steel hardware, work with (not across) the grain. Never use an abrasive sponge or cloth, steel wool or wired brush as these may permanently scratch the surfaces.

NOTE: To maximize the life of your door, it is important to regularly inspect the glass and other hardware for misalignment, proper attachment, and/or damage. Contact DreamLine with any questions or concerns.



TEL: [866-731-2244](tel:866-731-2244)

FAX: [866-857-3638](tel:866-857-3638)

DREAMLINE.COM

For more information on [DreamLine[®] Shower Doors](http://DreamLine.com) and [Enclosures](#) please visit DreamLine.com

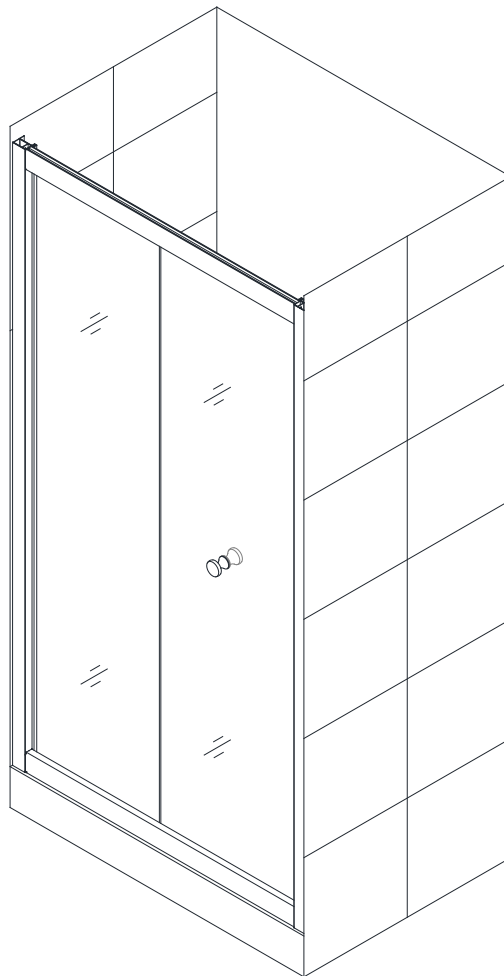


BUTTERFLY

SHOWER DOOR INSTALLATION INSTRUCTIONS

IMPORTANT

DreamLine® reserves the right to alter, modify or redesign products at any time without prior notice. For the latest up-to-date technical drawings, manuals or any other details please refer to your model's web page on BathAuthority.com.



Left hinge installation shown

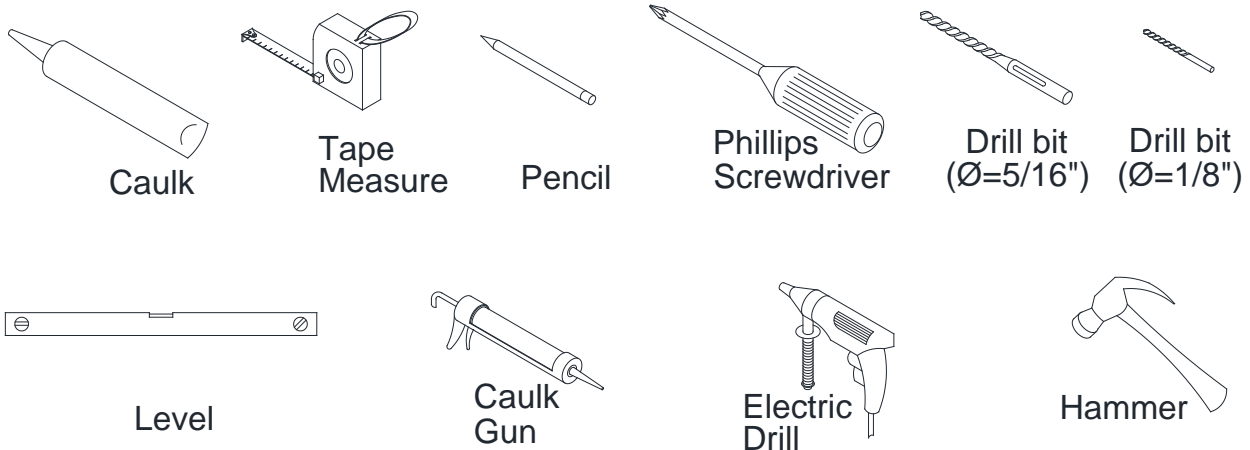
Please read these instructions carefully before installing. If you have any questions regarding installation, please contact our technical support specialists Monday through Friday 8:00 AM – 7:00 PM EST at Phone: 1-866-731-2244, Fax: 1-866-857-3638 or e-mail our technical support group at Support@BathAuthority.com

For more information about DreamLine® products please visit www.BathAuthority.com

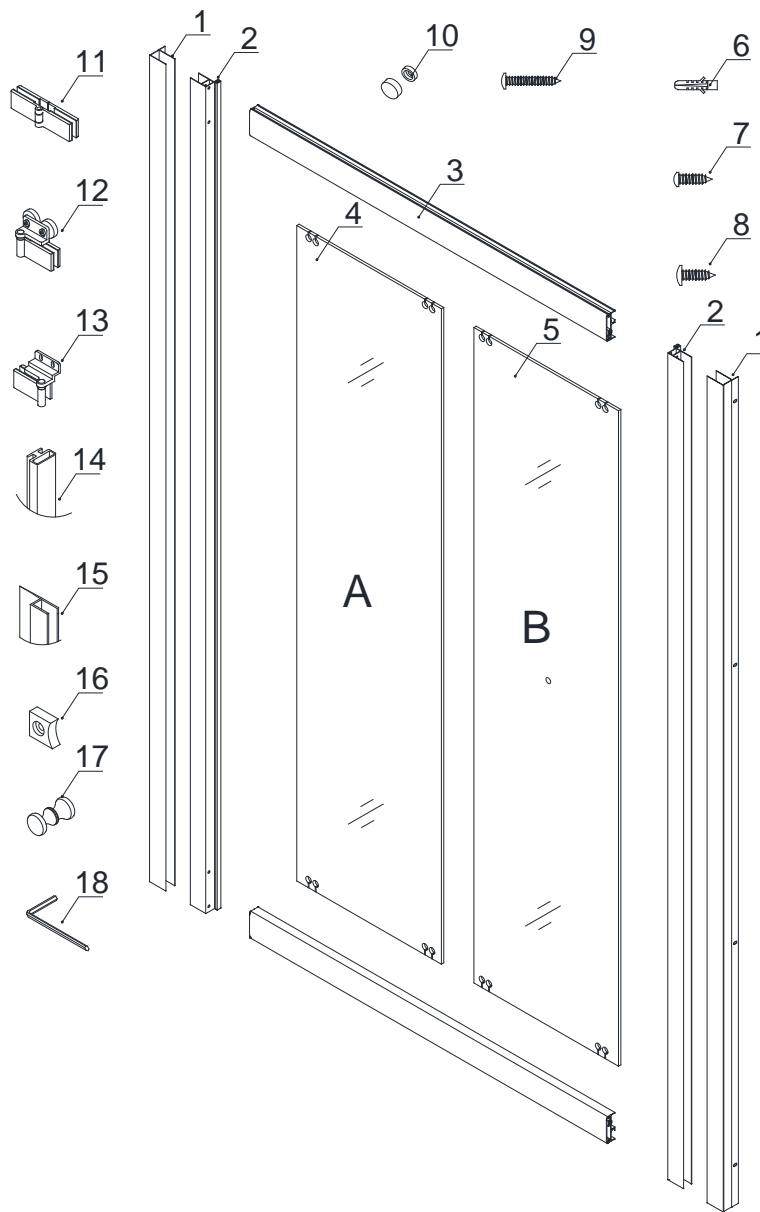
Preparation

1. Prior to installation, examine all boxes and packages for shipping damage and compare the piece count with your packing slip. After opening all boxes and packages read this introduction carefully. Check that all of the needed parts are included in the package by checking off the components on the "Detailed Diagram of Shower Door Components". If the unit has been damaged, has a finishing defect, or has missing parts, please contact our customer support department within **3 business days** of the delivery date. Please note that **DreamLine® will not replace any damaged products or missing parts free of charge after 3 business days or if the product has been installed.** Feel free to contact DreamLine® if you have any questions, and please provide an order number, job name or other proof of purchase to help us identify your original order.
2. If this unit is going to be installed in a new construction, please, install all of the required plumbing and drainage before installing the shower. **Use a competent and licensed plumber (if required by local code) for all plumbing installation.**
3. **Please note that you should consult your local building codes with questions about installation compliance standards. Building and plumbing codes may vary by location, and DreamLine® is not responsible for code compliance standards for your project and will not accept any returns.**
4. **Prior to installation**, please ensure that the surface is level and solid and will be able to support the total weight of the unit. Also make sure that the walls are plumb. Depending on the type of unit you are installing, some adjustments in leveling may be possible. However, irregular installation surface level or out-of-square conditions can result in serious problems for your installation. Please note that some adjustments and drilling may be necessary. **Please protect all primary surfaces of the product during installation.**
5. **Never set your glass down directly onto a tile floor.** Always use a piece of wood or cardboard to protect the bottom edge and corners of the glass.
6. **NOTE: This door has an out-of-plumb adjustment of up to 3/4" on each side.**

Tools Required



Detailed Diagram of Shower Door Components



Packing List

01	Wall profile	2pcs	10	Decorative cover	4pcs
02	Glass profile	2pcs	11	Middle hinge (top & bottom)	1set
03	Guide rail	2pcs	12	Roller (top & bottom)	1set
04	Glass door A	1pc	13	Hinge (top & bottom)	1set
05	Glass door B	1pc	14	Seal strip (pre-installed on part #2)	2pcs
06	Wall anchor	8pcs	15	Anti-water strip	1pc
07	Round head screw ST4.2×10	4pcs	16	Roller stopper	2pcs
08	Round head screw ST4.2×12	6pcs	17	Handle	1set
09	Round head screw ST4.2×30	16pcs	18	Allen wrench	1set

NOTE: Unpack your unit carefully and inspect it. Lay it out and identify all parts using the detailed diagram and packing list in this manual as a reference. Before discarding the carton, check for small hardware bags that may have fallen to the bottom of the box. If any parts are damaged or missing, please contact DreamLine® for replacement. The shipping boxes may contain extra parts not used in your model configuration.

NOTE: Retain these installation instructions for future reference.

Shower Door Assembly

NOTE: This door is reversible for right or left-hinge door installation. The left-hinge door installation is shown as an example throughout this manual. For a right –hinge door installation, simply flip the entire door assembly over before positioning in the opening.(See step #6)

1. Carefully place the **Glass door A (04)** and the **Glass door B (05)** on a flat surface. **NOTE:** The distances from the glass edge to the paired holes on both sides of the **Glass doors** are different. The side of each **Glass door** where the paired holes are closer to the edge should be facing each other as shown.

See Fig. 1 for details.

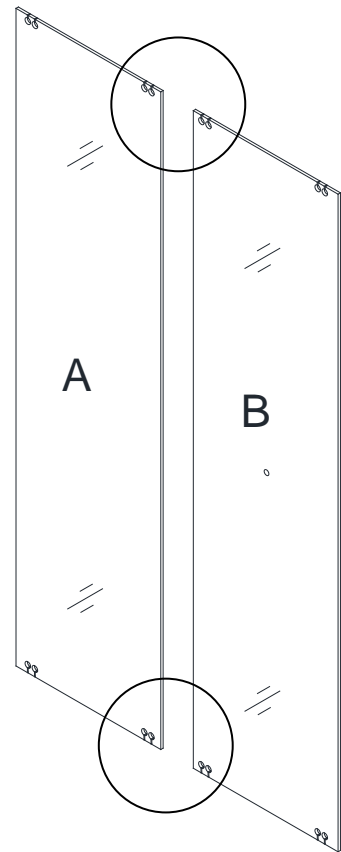


Fig. 1

2. Attach the top and the bottom **Hinges (13)** to the left edge of the **Glass Door A (04)** using the **Allen wrench (18)**.

See Fig. 2 and Fig. 5 for details.

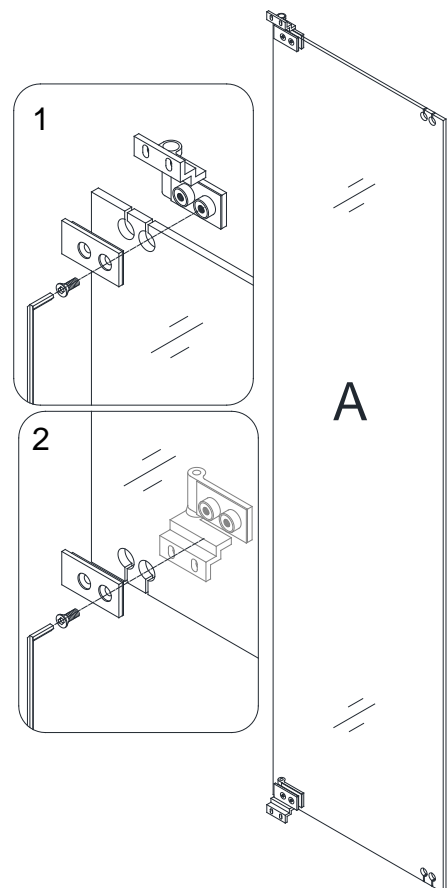


Fig. 2

3. Attach the top and the bottom **Rollers (12)** to the right edge of **Glass Door B (05)**. (this is the glass with the handle hole in the center) Pay attention to the position of the rollers on the glass so that they are oriented properly for your installation.

See Fig. 3 and Fig. 5 for details.

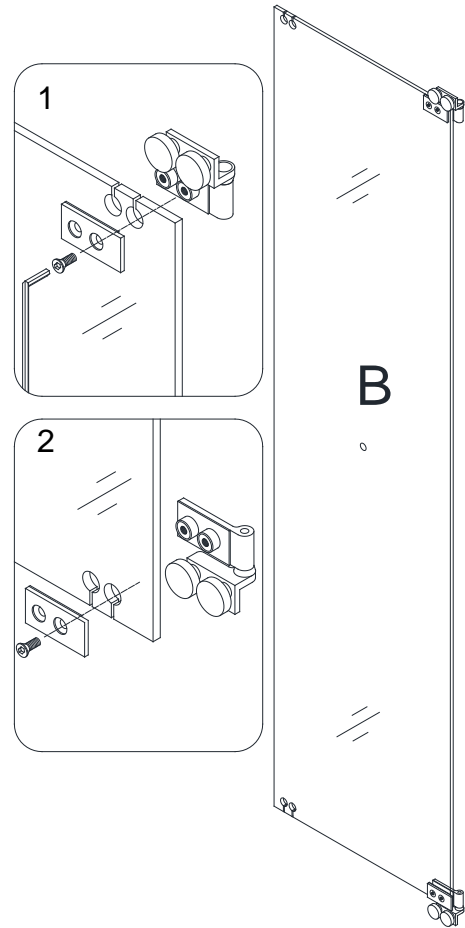


Fig. 3

4. Connect the **Glass door A (04)** to the **Glass door B (05)** using the top and the bottom **Middle hinges (11)**. Pay attention to the position of the middle hinges on the glass so that they are oriented properly for your installation.

See Fig. 4 and Fig. 5 for details.

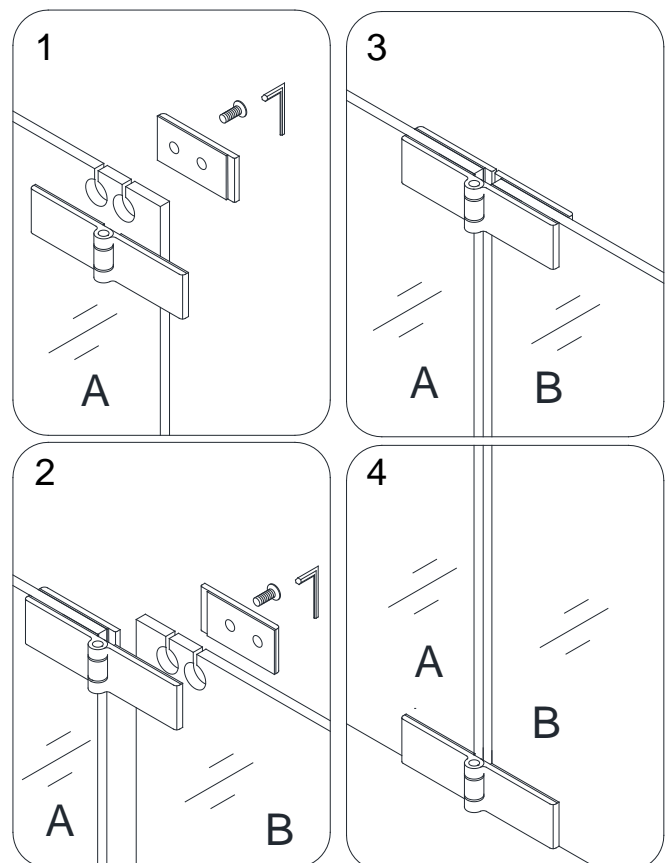


Fig. 4

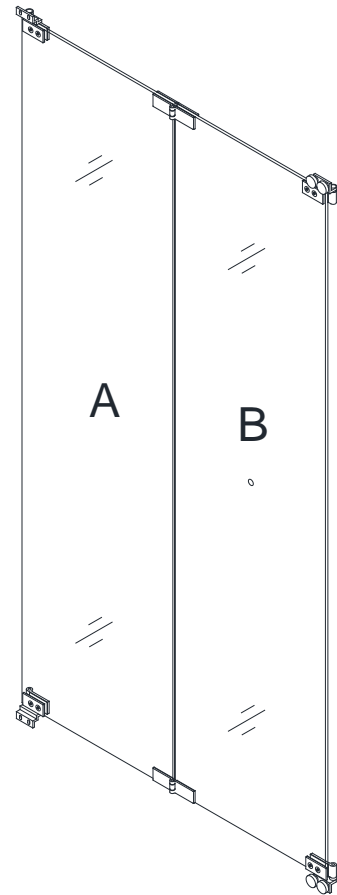


Fig. 5

5. Locate the **Guide rails (03)** and the **Glass profile (02)**. Connect the left end of the **Guide rails** to the **Glass profile** using the **Round head screws ST4.2×30 (09)**.

See fig. 6 for details.

NOTICE:

Make sure that the **Seal strip flange (14)** on the **Glass profile (2)**, is pointing towards the inside of the shower as shown in Fig 6.1.

TIP: Apply some liquid soap or wax to the screws to make installation easier and to prevent stripping the screws.

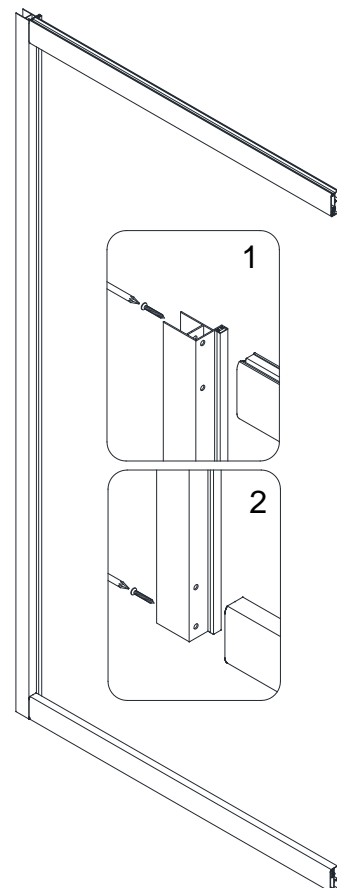


Fig. 6

6. Slide the glass unit, **Hinges (13)** side first, into the channel of the top and bottom **Guide rails (03)** from the right side, followed by the **Rollers (12)**.

See Fig. 7 and Fig. 8 for details.

Note: This step will determine the hand of your door. Left Hinge installation is shown. For a Right Hinge installation, simply rotate the door assembly from top to bottom and insert the **Hinges (13)** side first into the left end of the guide rails.

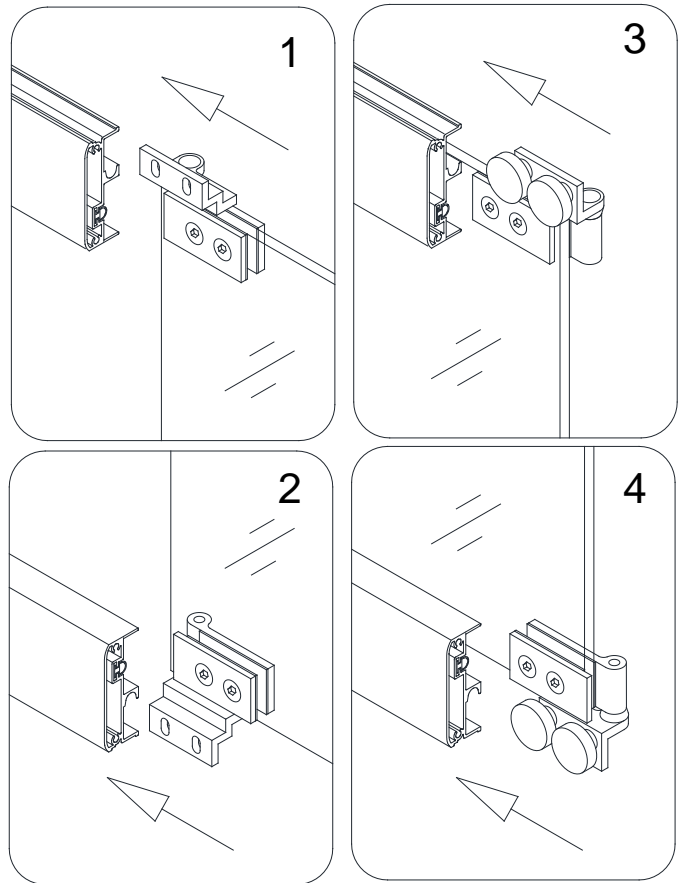


Fig. 7

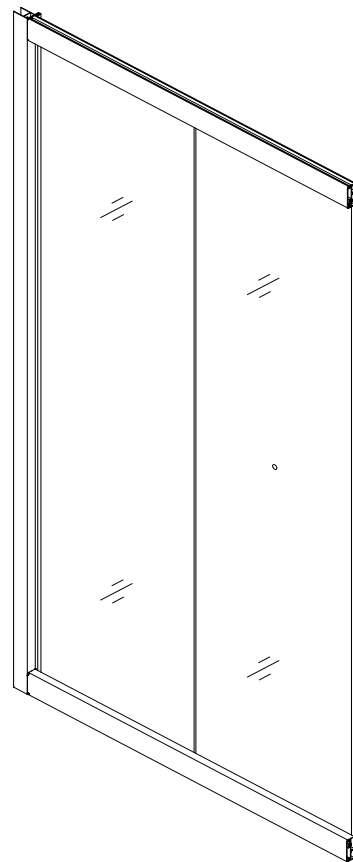


Fig. 8

7. Secure the **Hinges (13)** inside the **Guide rails (03)** using the **Round head screws ST4.2×12 (08)** using the pre-drilled holes.

See Fig. 9 for details.

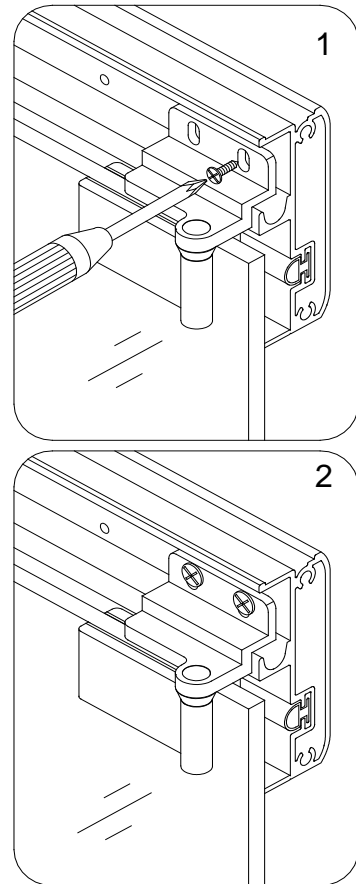


Fig. 9

8. Attach another **Glass profile (02)** at the right side of the glass unit and fasten it to the **Guide rails (03)** with the **Round head screws ST4.2×30 (09)**.

See Fig. 10 and Fig. 11 for details.

NOTICE:

Make sure that the **Seal strip flange (14)** on the **Glass profile (2)**, is pointing towards the inside of the shower (Fig 10.1).

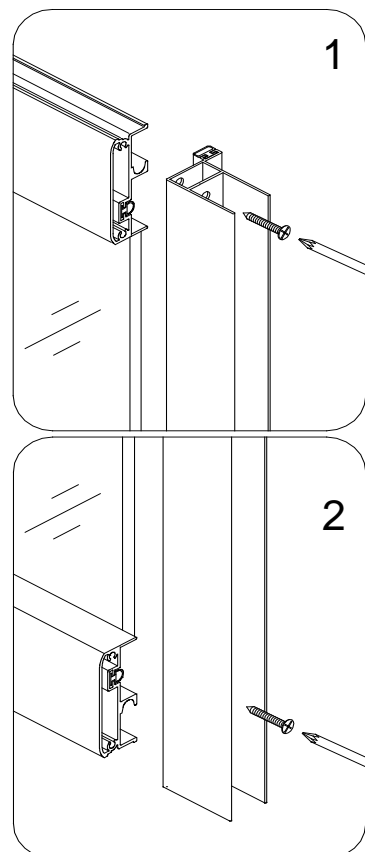


Fig. 10

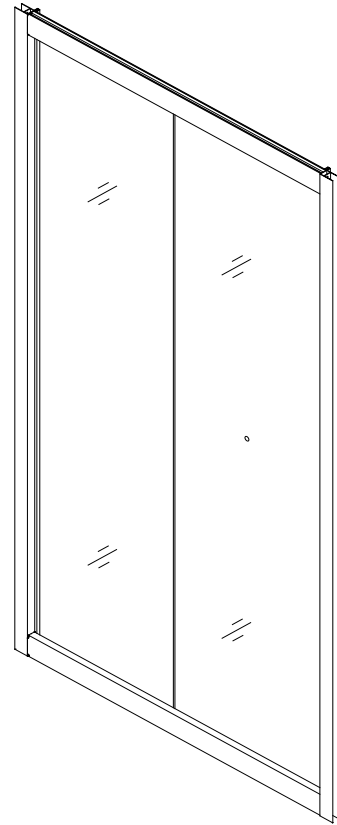


Fig. 11

9. Secure the **Roller stoppers (16)** inside the top and the bottom **Guide rails (03)** with the **Round head screw ST4.2×12 (08)**.

See Fig. 12 for details.

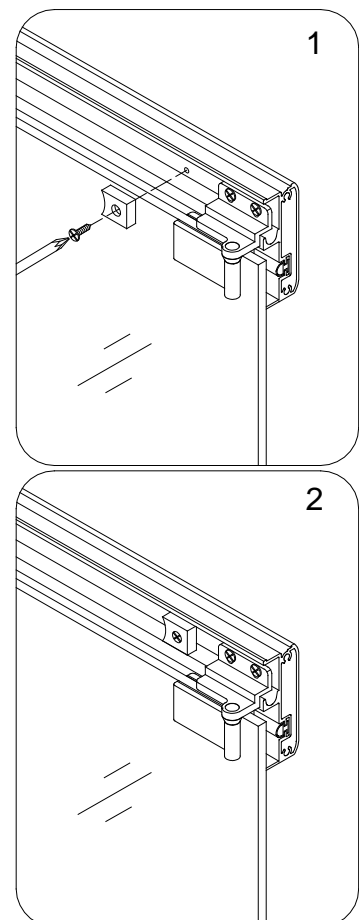


Fig. 12

10. Locate the two **Wall profiles (01)** in the package.

See fig. 13 for details.

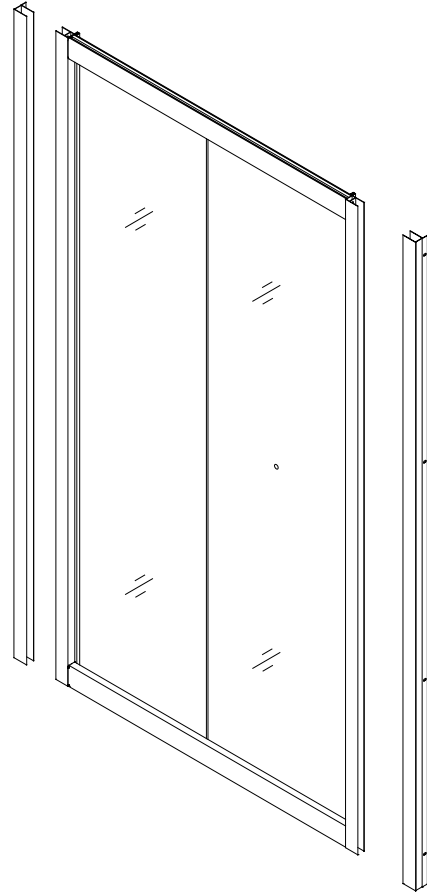


Fig. 13

11. Slide the **Wall profiles (01)** over the **Glass profiles (02)** on both sides of the unit. Be sure to position the wall profiles so that the flange with the predrilled holes faces inside the shower.

See fig. 14 for details.

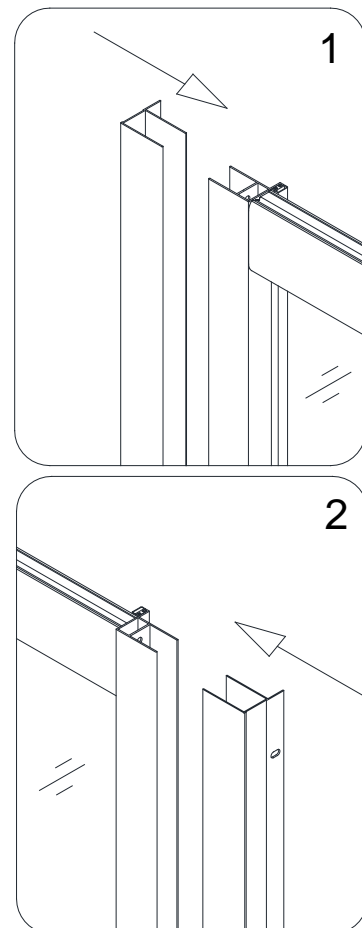


Fig. 14

12. Carefully position the assembled Glass unit onto the Shower base and slide the **Wall profiles (01)** tight against the walls. You can adjust for out-of-plumb wall conditions up to 3/4" per side depending on your finished opening width. Use a level to plumb the wall profiles as shown.

See Fig. 15 for details.

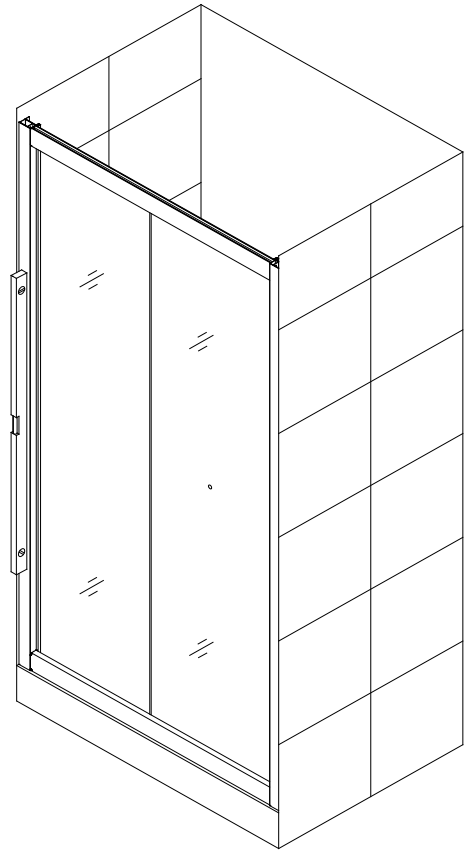


Fig. 15

13. Mark the screw holes on the wall through the predrilled holes in flanges of the **Wall profiles (01)** from inside of the Shower. Remove the entire assembly from the opening and drill holes with a **5/16" Ø drill bit** and insert the **Wall anchors (06)**. Place the assembled unit back onto the designated position in the shower opening and fasten the **Wall profiles (01)** to the wall with the **Round head screws (09)**.

See Fig. 16 for details.

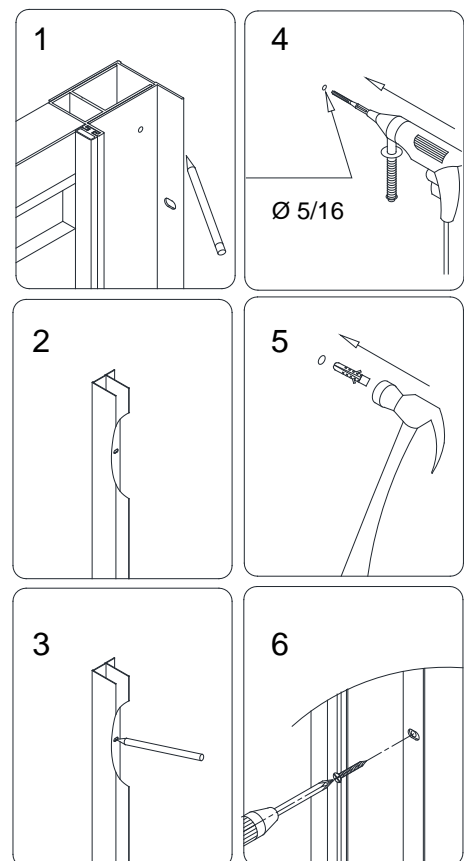


Fig. 16

14. Make final adjustments to the **Wall profiles (01)** if necessary and make certain that the bottom rail is tight to the threshold. Drill holes into the **Glass profiles (02)** at the top and bottom using an **1/8" Ø drill bit** as shown.

Secure the **Wall profiles (01)** and the **Glass profiles (02)** together with the **Round head screws ST4.2×10 (07)**. Use the raised white washers with the screws to hold the **Decorative Covers (10)**. (Fig 17.2)

See fig. 17 for details.

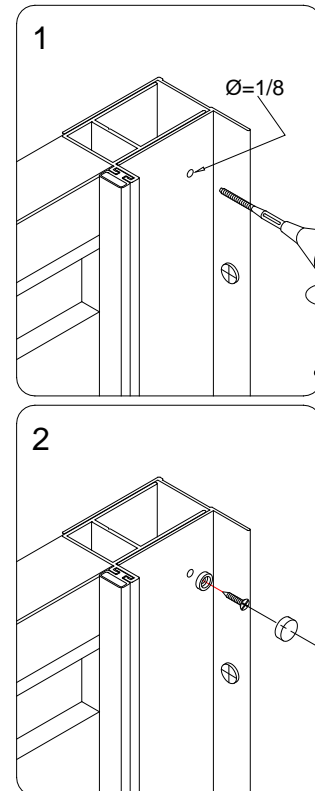


Fig. 17

15. Test the operation of the **Glass doors** and adjust the bolts on the **Rollers (12)** as necessary to make the door slide smoothly.

See fig. 18 for details.

TIP: Some minor adjustments to the rollers and hinges may be necessary so that the doors will fully close and seal. Begin adjustments from the hinge side, then the center hinges and then the rollers. Doors should close flat against the top and bottom rail.

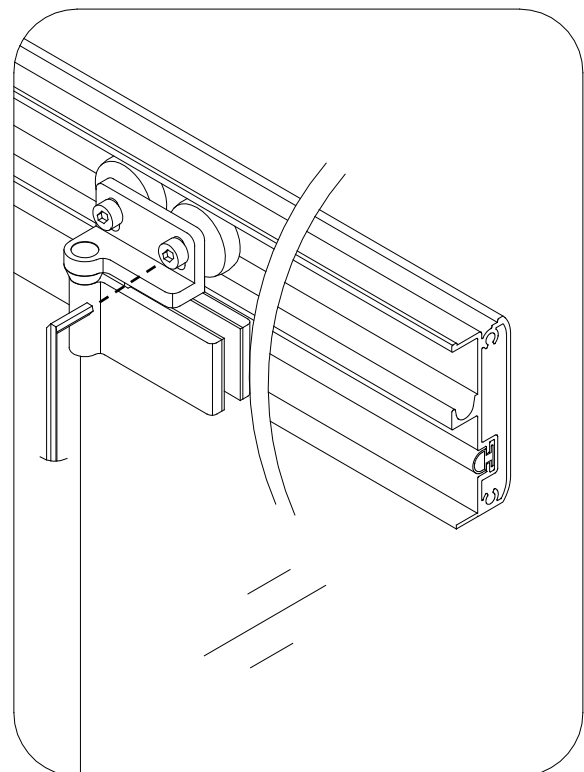


Fig. 18

16. Mount the **Handle (07)** onto the glass door.
Open the door and attach **Anti-water strip (15)** to the vertical edge of the **Glass door**. The strip flange should point away from the shower head.

See Fig. 19 for details.

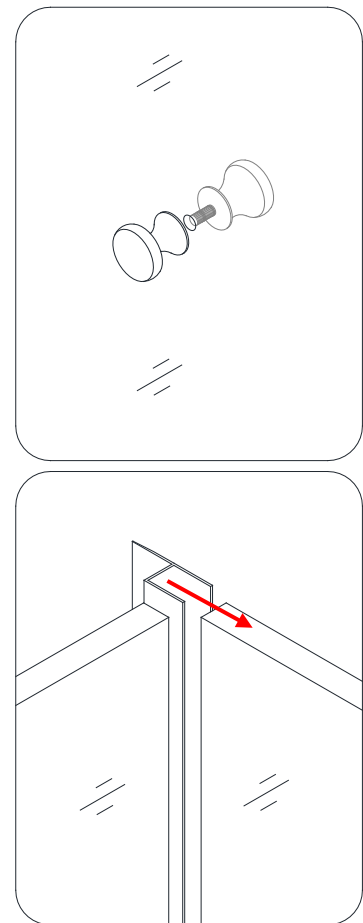


Fig. 19

17. Apply silicone or caulk along the **Wall profiles (01)** and along the bottom **Guide rail (03)**.

See Fig. 20 for details.

NOTICE:

This door is reversible for right or left opening installation.

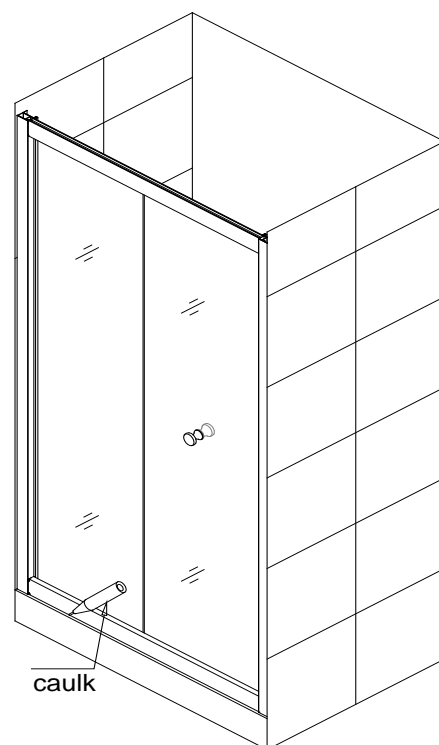


Fig. 20

Product Maintenance

BASES and BACKWALLS: To ensure a long life for your acrylic back walls: wipe them off after each use with a soft cloth. To clean the acrylic back walls use non-abrasive sprays or cream based cleaners. Never use abrasive cleansers, metal brushes or scrapers that could scratch or dull the surface.

GLASS: To ensure long lasting life for your glass shower products: wipe them off after each use with a soft cloth. Rinse and wipe off the glass using either a soft cloth or a squeegee to prevent soap buildup and water spots. To prevent scratching the surface: never use abrasive cleaners and cleaning products that contain scouring agents. Never use bristle brushes or abrasive sponges.

HARDWARE: To ensure a long lasting finish: wipe off the metal parts after each use with a soft cloth. Do not use abrasive cleaners or cleaning products containing ammonia, bleach or acid. If accidentally used, rinse the surface as soon as possible to prevent finish peeling or corrosion. After cleaning the shiny finishes, rinse thoroughly and wipe dry with soft cloth. Clean stainless steel surfaces at least once a week. When applying stainless steel cleaner or polish, work with (not across) the grain. Never use abrasive sponge or cloth, steel wool or wired brushes as this may permanently scratch the surface.



TEL: [866-731-2244](tel:866-731-2244)

FAX: [866-857-3638](tel:866-857-3638)

www.BATHAUTHORITY.COM

For more information on [DreamLine® Shower Doors](http://www.BathAuthority.com) and [Enclosure](http://www.BathAuthority.com) please visit www.BathAuthority.com