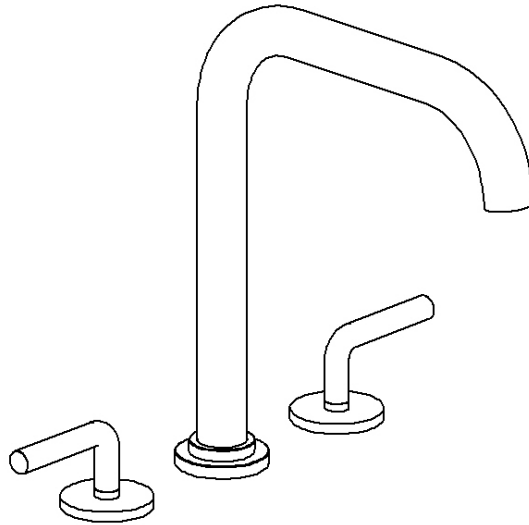
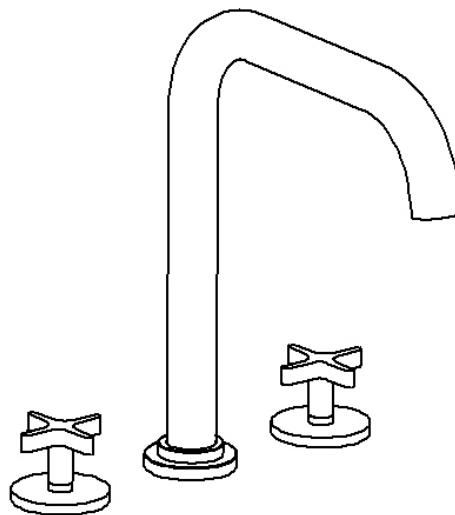


Please read the instructions completely before beginning the installation.

Circ Collection
Model Number: 3950CI



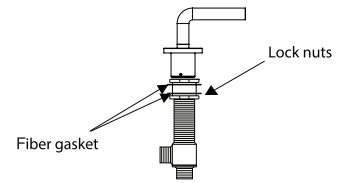
Circ Collection Cross Handle
Model Number: 3950CX



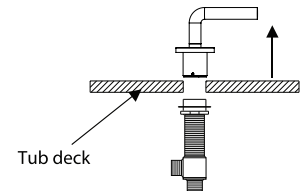
Flush both supply lines before installation, then shut off both supply lines.
Minimum hole size for the spout and handle trim is 1-1/4" and maximum of 1-1/2"

HANDLE TRIM INSTALLATION

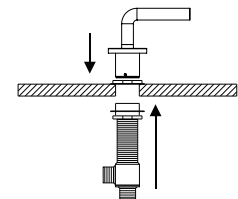
1 - Unscrew pre-assembled handle trim from the valve body. Hot valve assembly "Red" to be mounted on left. Cold valve assembly "Blue" to be mounted on right.



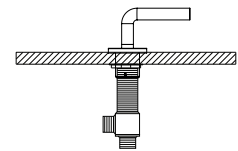
2 - Remove the top lock nut and the fiber gasket from the valve body.
- Apply a ring of silicone caulking around the handle hole on deck top.



3 - Slip valve body up from below tub deck.
Place the top lock nut and the fiber gasket back onto the valve body until the top surface of the lock nut is flush with the top surface of the valve body.
- Secure the top lock nut in place before inserting the handle.



4 - Align handles with respect to the spout and tighten bottom lock nut until secure.



SPOUT TRIM INSTALLATION

1 - Remove the tee connector and spout mounting hardware from quick connect shank being sure to leave on brass plate.

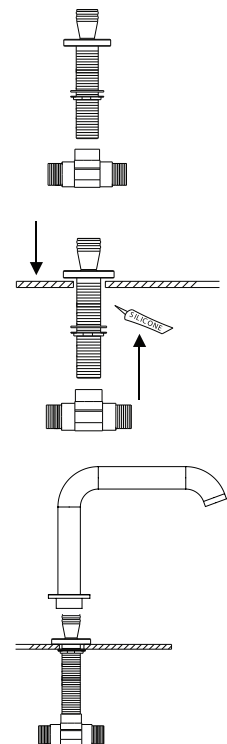
2 - Apply a ring of silicone caulking around hole designated for spout.
- DO NOT USE PLUMBERS' PUTTY, WHICH CAN DAMAGE FINISH.

3 - From the top of the deck, slip the quick connect shank through the assigned spout hole.

4 - Secure the quick connect shank by putting the washer and lock nut back on the shank. Tighten the lock nut firmly.

5 - From the top of the deck, slip the spout with the flange and flange washer onto the quick connect shank top. Align the spout and tighten the set screw with the Allen key provided.

6 - Connect the tee connector to the spout shank.



The measurements shown are for reference only. Products and specifications shown are subject to change without notice.

www.santecfaucet.com | P: 310.542.0063 F: 310.542.5681