

# CRAFTMADE

## Wellington XL - WXL52TS

52" Ceiling Fan (Blades Sold Separately)

**Finish:** Tarnished Silver



The scrollwork, up lighting and decorative flourishes on the supremely elegant WCraftmade XL are beautifully restrained, creating a formal look that is ornate but never overstated.

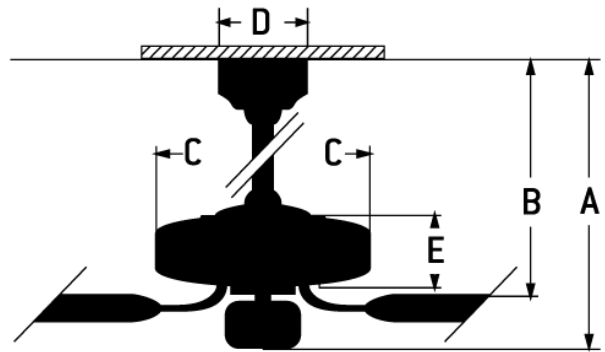
- Heavy-Duty, 3-Speed Reversible Motor
- 6" Downrod (Included)
- Blades Sold Separately
- Indirect Uplight (4-15W Candelabra Bulbs Included)
- TCS Remote & Wall Controls (Included)
- Dual Mount (Flat or angled ceiling)
- Remote Dimming

### Specs

Blade Sweep Opt (in.)	44, 52, 54, 56
Blades	5
Blade Pitch (deg)	13
Motor Size (MM)	188x20
Amps at High Speed	0.64
Watts (Hi Speed)	74.20
Energy Guide Watts	49
Energy Guide CFM	5342
Energy Guide CFM_Watts	72
Energy Guide Est. Yearly Energy Cost	14
High Speed (CFM)	5,342.000
Low Speed (CFM)	2,131.000
Shipping Weight (lbs.)	35.71
Carton Size (CU FT)	2.26
Blade Options	Type1, Type 2
Light Kit Options	Bowl Light Kits, Universal Light Kits, or Customize Your Own (Universal Fitters and 2 1/4" Glass)

## Dimensions

A:	20.14
B:	17.02
C:	15.31
D:	7.09
E:	12.02
F: w/o Light Kit - Downrod Length (in.)	6



## Downloads

### Wellington XL - WXL52TS



[PDF Spec Sheet](#)



[Installation Guide](#)



[Energy Guide](#)

ENERGY INFORMATION at High Speed		
Airflow	Electricity Use	Airflow Efficiency
<b>5342</b>	<b>74</b>	<b>72</b>
Cubic Feet Per Minute	Watts (excludes lights)	Cubic Feet Per Minute Per Watt
Compare: 49" to 60" ceiling fans have airflow efficiencies ranging from approximately 51 to 176 cubic feet per minute per watt at high speed.		
<b>Money-Saving Tip:</b> Turn off fan when leaving room		