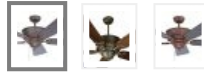


CRAFTMADE

Riata - RT52AG

52" Ceiling Fan (Blades Sold Separately)

Finish: Aged Bronze Textured



Just like the old ranches they evoke, these fans are as big as they are beautiful and as hardworking as they are efficient. You can kick back and relax because the Riata ceiling fan can be customized with a huge choice of blades and light kits.

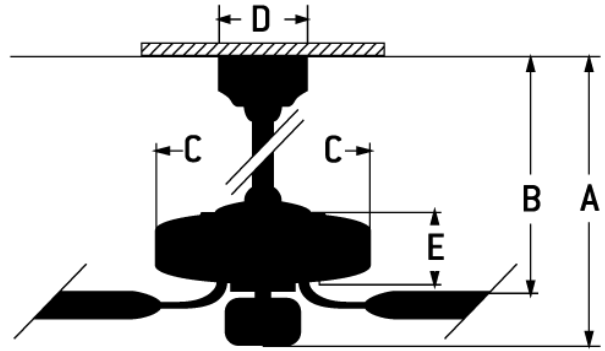
- Heavy-Duty, 3-Speed Reversible Motor
- 3" and 6" Downrods (Included)
- Blades Sold Separately
- Dual Mount (Flat or angled ceiling)

Specs

Blade Sweep Opt (in.)	44, 52, 54, 56
Blades	5
Blade Pitch (deg)	14
Motor Size (MM)	188x15
Amps at High Speed	0.56
Watts (Hi Speed)	65,70
Energy Guide Watts	47
Energy Guide CFM	5098
Energy Guide CFM_Watts	78
Energy Guide Est. Yearly Energy Cost	13
High Speed (CFM)	5,097.990
Low Speed (CFM)	1,761.150
Shipping Weight (lbs.)	26.18
Carton Size (CU FT)	2.05
Blade Options	Type1, Type 2
Compatible Control Types	RT-ICS2-AG Remote & Wall Controls
Light Kit Options	Bowl Light Kits, Universal Light Kits, or Customize Your Own (Universal Fitters and 2 1/4" Glass)

Dimensions

A:	16.80
A: (2nd Downrod) -	13.50
B:	11.82
B: (2nd downrod)	11
C:	13.21
D:	5.98
E:	6.46
F: w/o Light Kit -	6.46
Downrod Length (in.)	6
2nd Downrod (in.)	3



Downloads

Riata - RT52AG

 [PDF Spec Sheet](#)

 [Installation Guide](#)

 [Energy Guide](#)

ENERGY INFORMATION at High Speed		
Airflow	Electricity Use	Airflow Efficiency
5098	66	78
Cubic Feet Per Minute	Watts (excludes lights)	Cubic Feet Per Minute Per Watt
Compare: 49" to 60" ceiling fans have airflow efficiencies ranging from approximately 51 to 176 cubic feet per minute per watt at high speed.		
Money-Saving Tip: Turn off fan when leaving room		