

CRAFTMADE

Patterson - PAT64BNK5

64" Ceiling Fan with Blades

Finish: Brushed Polished Nickel



Decorative details, subtle, intricate and exceptionally rendered, distinguish the Patterson from the prosaic. This classically styled ceiling fan offers a richness and finesse that borders on art. Uniquely contoured fan blades anchor to a handsomely proportioned housing with sculptured blade arms that evoke the look and feel of fine metalwork. Even the canopy with its finely etched details gives testimony to the outstanding craftsmanship.

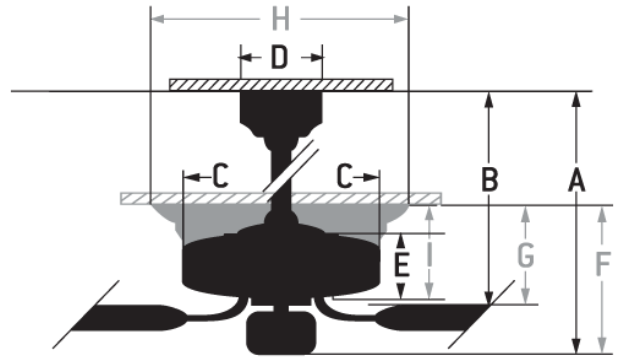
- Standard, 3-Speed Reversible Motor
- 6" Downrod (Included)
- 64" Reversible Blades in Walnut/Maple (Included)
- Tri-Mount = (Flat or sloped ceiling downrod mount, or semi-flushmount)

Specs

Blade Sweep Opt (in.)	64
Blades	5
Blade Pitch (deg)	12
Motor Size (MM)	188x25
Amps at High Speed	0.61
Watts (Hi Speed)	73
Energy Guide Watts	45
Energy Guide CFM	5401
Energy Guide CFM_Watts	74
High Speed (CFM)	5400.56
Low Speed (CFM)	2846.05
Shipping Weight (lbs.)	30.86
Carton Size (CU FT)	2.73
Compatible Control Types	UCIXL-2000 Remote & Wall Control
Light Kit Options	Bowl Light Kits, Universal Light Kits, or Customize Your Own (Universal Fitters and 2 1/4" Glass)

Dimensions


A:	16.37
B:	13.25
C:	13.39
D:	6
E:	6.57
H:	6
I:	6.57
F: w/o Light Kit - Downrod Length (in.)	6




Downloads

Patterson - PAT64BNK5

 [PDF Tear Sheet](#)

 [Installation Guide](#)

 [Energy Guide](#)

ENERGY INFORMATION at High Speed		
Airflow	Electricity Use	Airflow Efficiency
5401	73	74
Cubic Feet Per Minute	Watts (excludes lights)	Cubic Feet Per Minute Per Watt
Compare: 49" to 60" ceiling fans have airflow efficiencies ranging from approximately 51 to 176 cubic feet per minute per watt at high speed.		
Money-Saving Tip: Turn off fan when leaving room		