

# CRAFTMADE

---

## Courtyard - CYD56OB4

56" Ceiling Fan with Blades and Light Kit



Who said you can't have rustic charm and luxury? Our Courtyard model accentuates the clean lines of a four-blade fan with an etched ornamentation inspired by the great outdoors. The Courtyard will highlight your casual style while putting an emphasis on quality. It's a little fancy, but not at all fussy.

- Heavy-Duty, 3-Speed Reversible Motor
- 6" Downrod (Included)
- 56" Blades in Oiled Bronze (Included)
- Integrated LED Light Source (Dimmable)
- Remote & Wall Control Included
- Dual Mount (Flat or Angled Ceiling)
- LED Module is Guaranteed for 3 years
- Suitable for Wet Locations

### Specs

---

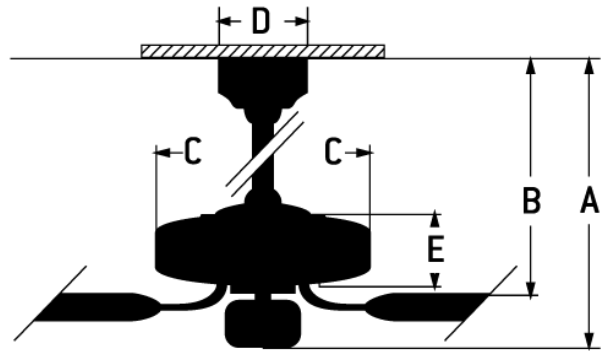
Blade Sweep Opt (in.)	56
Blades	4
Blade Pitch (deg)	12
Motor Size (MM)	172x20
Energy Guide Watts	59
Energy Guide CFM	5435
Energy Guide CFM_Watts	92
Carton Size (CU FT)	4.10
Bulb CCT	3000
Bulb Wattage	18
CRI	90
Light Kit Options	Integrated Light Kit
Lumens	1650
Finish	Oiled Bronze

### Dimensions

---

A:	21.77
A: (2nd Downrod) -	21.80

B: (2nd downrod)	11.53
C:	12.83
D:	5.98
E:	15.24
F: w/o Light Kit - Downrod Length (in.)	15.24 6



## Downloads

### Courtyard - CYD56OB4

 [PDF Tear Sheet](#)

 [Energy Guide](#)

<b>ENERGYGUIDE</b>	
<p>Estimated Yearly Energy Cost</p> <p><b>\$31</b></p> <p><b>\$3</b> <span style="border: 1px solid black; padding: 2px;">\$34</span></p> <p>Cost Range of Similar Models (19" – 83")</p> <ul style="list-style-type: none"> <li>• Based on 12 cents per kWh and 6.4 hours use per day</li> <li>• <b>Your cost depends on rates and use</b></li> <li>• Energy Use: 59 Watts</li> </ul>	<p>Airflow</p> <p><b>5,435</b></p> <p>Cubic Feet Per Minute</p> <ul style="list-style-type: none"> <li>• The higher the airflow, the more air the fan will move</li> <li>• Airflow Efficiency: 92 Cubic Feet Per Minute Per Watt</li> </ul>
<p>All estimates based on typical use, excluding lights <span style="float: right;">ftc.gov/energy</span></p>	