

CRAFTMADE

Anillo - ANI36BNK3

36" Ceiling Fan with Blades and Light Kit



Our Anillo three-blade, circular fan gives new meaning to keeping your room "cool." The non-traditional style provides exceptional air quality while showing off a futuristic design. We created the Anillo fan to keep your air circulating—but it will keep heads turning as well.

- Standard, 3-Speed Reversible Motor
- 6" Downrod (Included)
- 36" Blades in Brushed Nickel (Included)
- Integrated LED Light Source (Dimmable)
- ICS Remote & Wall Control w/Clamshell Included
- Dual Mount (Flat or Angled Ceiling)
- LED Module is Guaranteed for 3 years

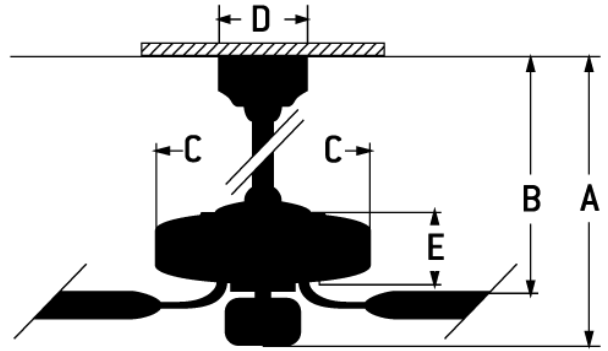
Specs

Blade Sweep Opt (in.)	30
Blades	3
Blade Pitch (deg)	18
Motor Size (MM)	153x10
Amps at High Speed	0.42
Watts (Hi Speed)	52
Energy Guide CFM	2139
Energy Guide CFM_Watts	41
High Speed (CFM)	2139
Low Speed (CFM)	910
Carton Size (CU FT)	8.65
Bulb CCT	3000
Bulb Wattage	42
CRI	96
Light Kit Options	Integrated Light Kit
Lumens	1324
Finish	Brushed Polished Nickel

Dimensions

A:	14.28
A: (2nd Downrod) -	14.28

B: (2nd downrod)	10.37
C:	8.66
D:	5.18
E:	9.06
F: w/o Light Kit - Downrod Length (in.)	6



Downloads

Anillo - ANI36BNK3

 [PDF Tear Sheet](#)

 [Energy Guide](#)

ENERGYGUIDE	
<p>Estimated Yearly Energy Cost</p> <p>\$9</p> <p>\$3 \$34</p> <p>Cost Range of Similar Models (19" – 83")</p> <ul style="list-style-type: none"> • Based on 12 cents per kWh and 6.4 hours use per day • Your cost depends on rates and use • Energy Use: 32 Watts 	<p>Airflow</p> <p>1,568</p> <p>Cubic Feet Per Minute</p> <ul style="list-style-type: none"> • The higher the airflow, the more air the fan will move • Airflow Efficiency: 49 Cubic Feet Per Minute Per Watt
<p>All estimates based on typical use, excluding lights</p>	
<p>ftc.gov/energy</p>	