

## INSTALLATION INSTRUCTIONS



### **⚠ WARNING**

DISCONNECT POWER AT THE MAIN FUSE BOX BEFORE INSTALLATION.

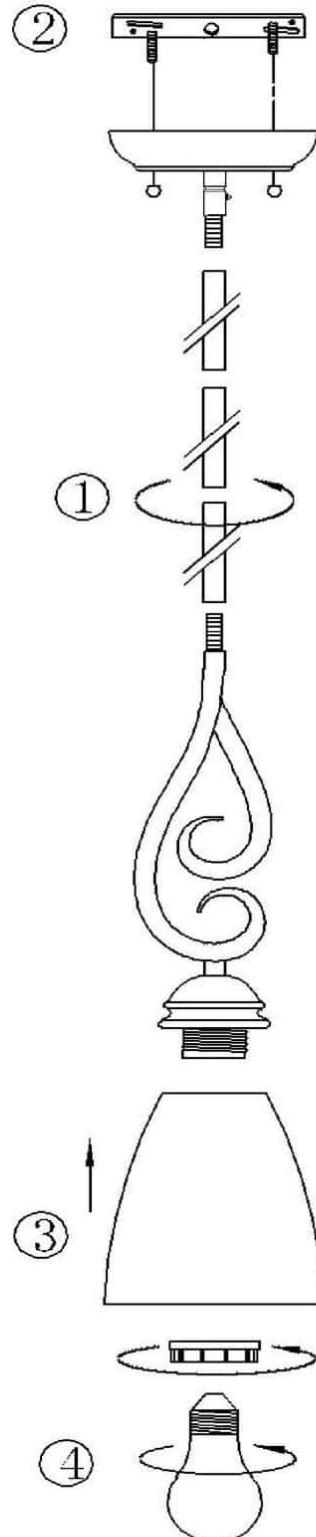
CONSULT A QUALIFIED ELECTRICIAN BEFORE INSTALLTION.

### PREPARATION

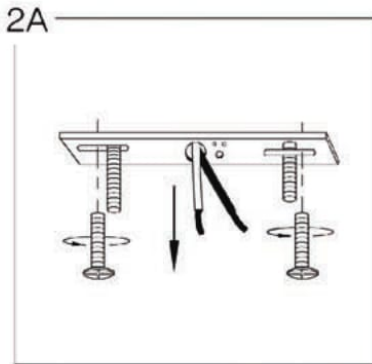
Before assembly , be sure to remove all parts and part packages from box. If anything is missing , please contact the store or internet vendor from which product was pur chased .

### INSTALLATION

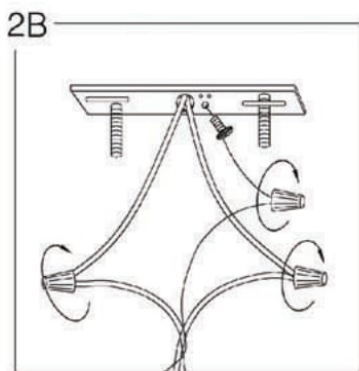
- ① Determine proper length of chain . After removing or adding links to the desired length , attach end of chain to fixture frame.
- ② Connect wiring together and mount fixture to ceiling . (See other side for wiring and mounting instructions ) .
- ③ Attach glass diffuser onto fixture using finial .
- ④ Install light bulbs . Use 75 watt max candelabra base bulbs (not included) .



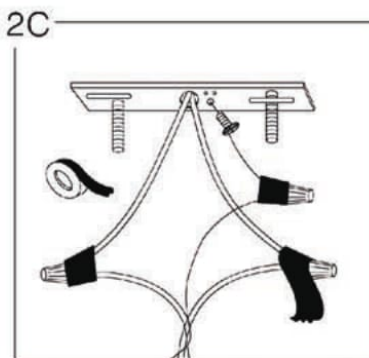
## WIRING AND MOUNTING INSTRUCTIONS



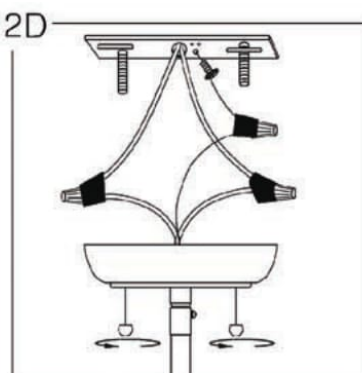
Carefully pull house wires through opening in center of mounting plate. With mounting plate threads facing outward, screw mounting plate into junction box using outlet box screws.



Strip 3/4" of insulation from wire ends . Connect house ground wire to fixture ground wire marked with symbol . Twist wires together using wire nut . Connect black house wire to the fixture . Twist wires together using wire nut . Connect white house wire to the fixture . Twist wires together using wire nut .



Tape wires and wire nuts together using electrical tape.



Lining up threads on mounting plate with holes in fixture canopy, attach fixture to junction box using cap nuts. Be sure to carefully tuck wires into canopy while attaching.

**(Continue with step 3 of installation on other side.)**