

# CRAFTMADE

---

## Velocity - VE58FB3

58" Ceiling Fan with Blades

**Finish:** Flat Black



The aerodynamic Velocity ceiling fan is part retro, part modern, part Industrial/Loft and totally cool. The cutting-edge 3-blade design performs brilliantly with the heavy-duty 4-speed motor, which includes a 4-speed wall control. Finished in three appealing options – Flat Black with custom Flat Black blades, White with custom White blades, or Stainless Steel with Brushed Nickel Blades.

- Heavy-Duty, 4-Speed Non-Reversible Motor
- 12" Downrod (Included)
- 58" Blades in Flat Black (Included)
- 4-Speed Wall Control (Included)
- Dual Mount (Flat or angled ceiling)

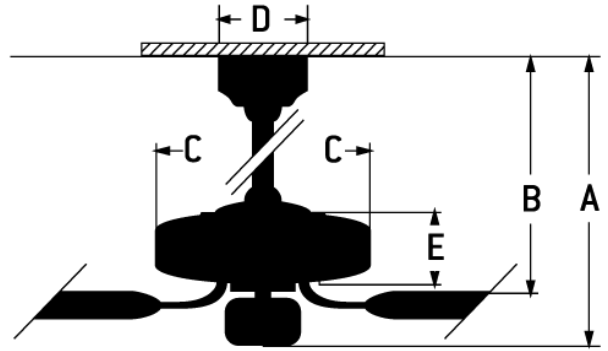
## Specs

---

Blade Sweep Opt (in.)	58
Blades	3
Blade Pitch (deg)	19.50
Motor Size (MM)	188x20
Amps at High Speed	0.69
Watts (Hi Speed)	83.20
Energy Guide Watts	84
Energy Guide CFM	7731
Energy Guide CFM_Watts	93
High Speed (CFM)	7731
Low Speed (CFM)	1722
Shipping Weight (lbs.)	19.84
Carton Size (CU FT)	1.27
Light Kit Options	Not Light Kit Adaptable

## Dimensions

A:	21.25
B:	18.50
C:	7.50
D:	4.75
E:	7.01
F: w/o Light Kit - Downrod Length (in.)	12




## Downloads

### Velocity - VE58FB3

 [PDF Tear Sheet](#)

 [Installation Guide](#)

 [Energy Guide](#)

<b>ENERGY INFORMATION at High Speed</b>		
Airflow	Electricity Use	Airflow Efficiency
<b>7731</b>	<b>83</b>	<b>93</b>
Cubic Feet Per Minute	Watts (excludes lights)	Cubic Feet Per Minute Per Watt
Compare: 49" to 60" ceiling fans have airflow efficiencies ranging from approximately 51 to 176 cubic feet per minute per watt at high speed.		
<b>Money-Saving Tip:</b> Turn off fan when leaving room		