

# CRAFTMADE

---

## Utility - UT56TBC3M

56" Ceiling Fan with Blades

**Finish:** Titanium-Brushed Chrome



With its slender profile and sleek appearance the industrial-chic Utility is a striking example of minimalist design. The five-speed motor and three gracefully proportioned blades move a surprising amount of cooling air effectively and efficiently.

- 5-Speed Motor
- 12" Downrod (Included)
- 56" Blades in Titanium (Included)
- 5-Speed Wall Control (Included)
- Dual Mount (Flat or angled ceiling)

## Specs

---

Blade Sweep Opt (in.)	56
Blades	3
Blade Pitch (deg)	9
Motor Size (MM)	170x12
Amps at High Speed	0.61
Watts (Hi Speed)	72.90
Energy Guide CFM	3852
Energy Guide CFM_Watts	53
High Speed (CFM)	3852.44
Low Speed (CFM)	2568.90
Shipping Weight (lbs.)	14.51
Carton Size (CU FT)	1.28
Light Kit Options	Not Light Kit Adaptable

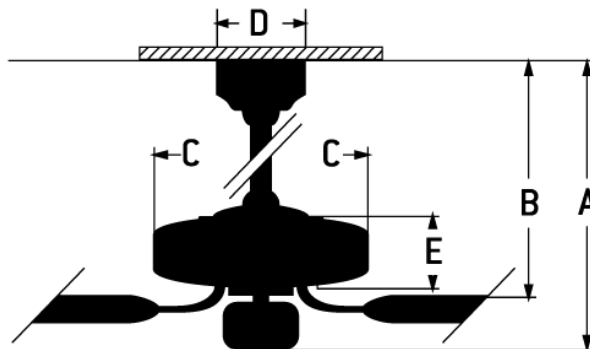
## Dimensions

---

A:	18.07
B:	17
C:	7.87
D:	5.75
E:	6.60

F: w/o Light Kit -  
Downrod Length (in.)

6.60  
12



## Downloads

### Utility - UT56TBC3M



[PDF Tear Sheet](#)



[Installation Guide](#)



[Energy Guide](#)

<b>ENERGY INFORMATION</b> at High Speed		
<b>Airflow</b> <b>3852</b> Cubic Feet Per Minute	<b>Electricity Use</b> <b>73</b> Watts (excludes lights)	<b>Airflow Efficiency</b> <b>53</b> Cubic Feet Per Minute Per Watt
Compare: 49" to 60" ceiling fans have airflow efficiencies ranging from approximately 51 to 176 cubic feet per minute per watt at high speed.		
<b>Money-Saving Tip:</b> Turn off fan when leaving room		