

# CRAFTMADE

---

## Targas 48" - TG48BNK3-UCI

48" Ceiling Fan with Blades and Light Kit



**Finish:** Brushed Polished Nickel



Modern and minimalist, the Targas 48" features a sleek tri-blade design, LED lighting and hard-wired speed and light control.

- Standard, 4-Speed Reversible Motor
- 6" Downrod (Included)
- 48" Reversible Blades in Walnut/Dark Oak (Included)
- Integrated Light Kit (1-16W LED Bulb Included)
- 4-Speed Wall Control Included
- Tri-Mount = (Flat or sloped ceiling downrod mount, or semi-flushmount)

### Specs

---

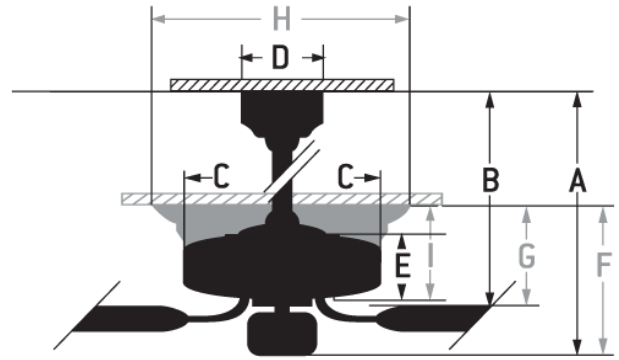
|                       |                      |
|-----------------------|----------------------|
| Blade Sweep Opt (in.) | 48                   |
| Blades                | 3                    |
| Blade Pitch (deg)     | 10.50                |
| Motor Size (MM)       | 153x15               |
| Amps at High Speed    | 0.44                 |
| Watts (Hi Speed)      | 52.47                |
| High Speed (CFM)      | 5534.26              |
| Low Speed (CFM)       | 1627.98              |
| Carton Size (CU FT)   | 2.13                 |
| Bulb CCT              | 3000                 |
| Bulb Wattage          | 16                   |
| CRI                   | 82                   |
| Light Kit Options     | Integrated Light Kit |
| Lumens                | 1343                 |

### Dimensions

---

|                    |       |
|--------------------|-------|
| A:                 | 16.73 |
| A: (2nd Downrod) - | 11.37 |

|  |       |
|--|-------|
| B:   | 11.17 |
| C:   | 10.24 |
| D:   | 5.12  |
| E:   | 8.96  |
| H:   | 5.12  |
| I:   | 8.96  |
| F: w/o Light Kit -<br>Downrod Length (in.) | 6     |



## Downloads

### Targas 48" - TG48BNK3-UCI

 [PDF Tear Sheet](#)

 [Energy Guide](#)

| ENERGY INFORMATION<br>at High Speed  |  |   |
|--|--|---|
| Airflow<br><b>5534</b><br>Cubic Feet Per<br>Minute   | Electricity Use<br><b>52</b><br>Watts<br>(excludes lights) | Airflow Efficiency<br><b>105</b><br>Cubic Feet Per<br>Minute Per Watt |
| Compare: 36" to 48" ceiling fans have airflow efficiencies ranging from approximately 71 to 86 cubic feet per minute per watt at high speed. |  |   |
| <b>Money-Saving Tip:</b> Turn off fan when leaving room  |  |   |