

# CRAFTMADE

---

## Solo Encore - SOE54BNK5

54" Ceiling Fan with Blades and Light Kit

**Finish:** Brushed Polished Nickel



Just as the name depicts, the Solo Encore is the incarnation of one of our best selling motors with today's hottest blade and metal finishes along with state-of-the-art DC motor technology.

- Energy Saving, 6-Speed Reversible DC Motor
- 4" and 6" Downrods (Included)
- 54" Blades in Silver (Included)
- Integrated Light Kit (1-16W LED Bulb Included)
- DC Remote & Wall Controls Included
- Dual Mount (Flat or Angled Ceiling)
- Optional Blank Light Lens Cover (Included)
- Sophisticated DC Motor requires automatic 7-minute calibration period upon installation. The remote and wall controls are inoperable during that time, after which the fan, remote control and wall control (if applicable) will be fully operational.
- Remote Dimming

### Specs

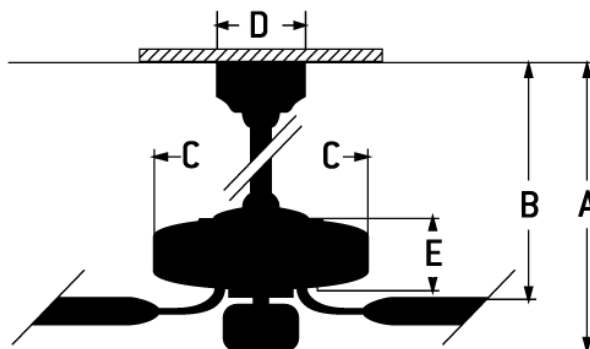
---

Blade Sweep Opt (in.)	54
Blades	5
Blade Pitch (deg)	13.50
Motor Size (MM)	125x30
Amps at High Speed	0.48
Watts (Hi Speed)	34.60
Energy Guide Watts	19
Energy Guide CFM	5848.02
Energy Guide CFM_Watts	168.97
High Speed (CFM)	5848.02

Low Speed (CFM)	2780.05
Shipping Weight (lbs.)	13.67
Carton Size (CU FT)	2.22
Bulb CCT	3000
Bulb Wattage	16
CRI	96.40
Light Kit Options	Integrated Light Kit
Lumens	1200

## Dimensions


A:	16.24
A: (2nd Downrod) -	17
B:	10.75
B: (2nd downrod)	8.75
C:	9.84
D:	5.91
E:	6.69
F: w/o Light Kit -	6.69
Downrod Length (in.)	6
2nd Downrod (in.)	4




## Downloads

### Solo Encore - SOE54BNK5

 [PDF Tear Sheet](#)

 [Installation Guide](#)

 [Energy Guide](#)

ENERGY INFORMATION at High Speed		
Airflow	Electricity Use	Airflow Efficiency
<b>5848</b>	<b>35</b>	<b>169</b>
Cubic Feet Per Minute	Watts (excludes lights)	Cubic Feet Per Minute Per Watt
Compare: 49" to 60" ceiling fans have airflow efficiencies ranging from approximately 51 to 176 cubic feet per minute per watt at high speed.		
<b>Money-Saving Tip:</b> Turn off fan when leaving room		

