

CRAFTMADE

Pireos - PIR48BNK3

48" Ceiling Fan with Blades

Finish: Brushed Polished Nickel



Curves have never been this sexy! The bentwood, tri-blade design provides a distinct look along with exceptional air movement. The simplicity of style makes the Pireos a focal point whether your home is modern, mid-century modern or anything in between.

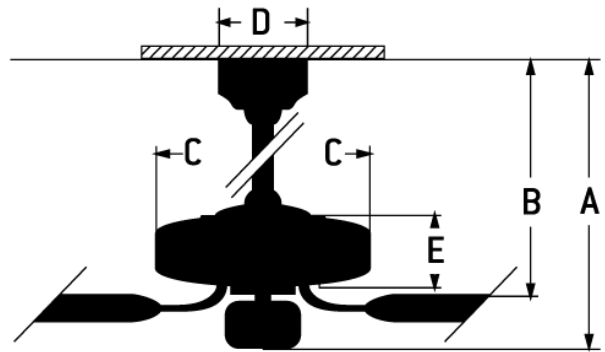
- Energy Saving, 6-Speed Reversible DC Motor
- 6" Downrod (Included)
- 48" Blades in Teak (Included)
- IDC2 Remote & Wall Controls (Included)
- Dual Mount (Flat or Angled Ceiling)
- Sophisticated DC Motor requires automatic 7-minute calibration period upon installation. The remote and wall controls are inoperable during that time, after which the fan, remote control and wall control (if applicable) will be fully operational.

Specs

Blade Sweep Opt (in.)	48
Blades	3
Blade Pitch (deg)	15
Motor Size (MM)	90x12
Amps at High Speed	0.38
Watts (Hi Speed)	27.90
Energy Guide CFM	4124.06
Energy Guide CFM_Watts	147.81
High Speed (CFM)	4124.06
Low Speed (CFM)	1126.95
Shipping Weight (lbs.)	10.80
Carton Size (CU FT)	1.30
Light Kit Options	Not Light Kit Adaptable

Dimensions

A:	12.50
B:	9.84
C:	6.69
D:	5.83
E:	4.13
F: w/o Light Kit - Downrod Length (in.)	6



Downloads

Pireos - PIR48BNK3



[PDF Tear Sheet](#)



[Installation Guide](#)



[Energy Guide](#)

ENERGY INFORMATION at High Speed		
Airflow	Electricity Use	Airflow Efficiency
4124	28	148
Cubic Feet Per Minute	Watts (excludes lights)	Cubic Feet Per Minute Per Watt

Compare: 36" to 48" ceiling fans have airflow efficiencies ranging from approximately 71 to 86 cubic feet per minute per watt at high speed.

Money-Saving Tip: Turn off fan when leaving room