

CRAFTMADE

Mondo 54" - MND54BNK3

54" Ceiling Fan with Blades

Finish: Brushed Polished Nickel



A picture of modern design, the functional minimalism of the Mondo 54" ceiling fan is also a product of advanced engineering. The unique aileron design of the three long, graceful blades move air with remarkable efficiency.

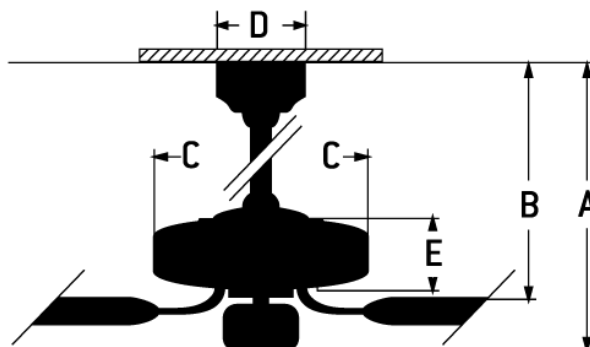
- Energy Saving, 6-Speed Reversible DC Motor
- 6" Downrod (Included)
- 54" Blades in Brushed Nickel (Included)
- DC Remote & Wall Controls (Included)
- Dual Mount (Flat or angled ceiling)
- Suitable for Damp Locations
- Sophisticated DC Motor requires automatic 7-minute calibration period upon installation. The remote and wall controls are inoperable during that time, after which the fan, remote control and wall control (if applicable) will be fully operational.
- Remote Dimming

Specs

Blade Sweep Opt (in.)	54
Blades	3
Blade Pitch (deg)	13
Motor Size (MM)	125X30
Amps at High Speed	0.47
Watts (Hi Speed)	33.10
Energy Guide Watts	34
Energy Guide CFM	5424
Energy Guide CFM_Watts	164
High Speed (CFM)	5424
Low Speed (CFM)	1150
Shipping Weight (lbs.)	11.24

Dimensions

A:	14.40
B:	12.50
C:	4.92
D:	5.12
E:	9.26
F: w/o Light Kit - Downrod Length (in.)	6



Downloads

Mondo 54" - MND54BNK3

 [PDF Tear Sheet](#)

 [Installation Guide](#)

 [Energy Guide](#)

ENERGY INFORMATION at High Speed		
Airflow 5424 Cubic Feet Per Minute	Electricity Use 33 Watts (excludes lights)	Airflow Efficiency 164 Cubic Feet Per Minute Per Watt
Compare: 49" to 60" ceiling fans have airflow efficiencies ranging from approximately 51 to 176 cubic feet per minute per watt at high speed.		
Money-Saving Tip: Turn off fan when leaving room		