

CRAFTMADE

Katana 72" - KAT72

Katana 72" Customizable Fan - Select Blades (Sold Separately)



Finish:



Our Katana fan is a shining example of what happens when form follows function. Created with nine blades in various sizes and set against a contemporary base with LED down lighting, it's hard to believe that this fan is not all about looks. The Katana fan was designed to generate maximum air movement and offset energy use. It also happens to look amazing.

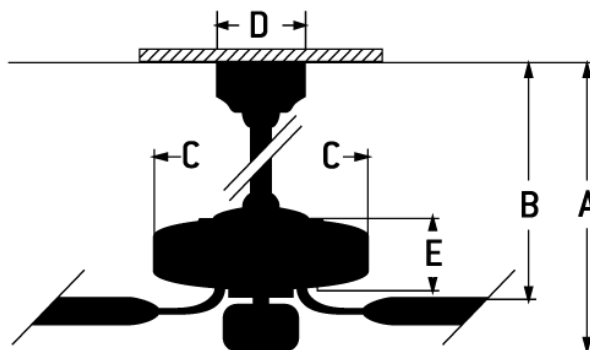
- Energy Saving, 6-Speed Reversible DC Motor
- 6" Downrod (Included)
- Blades Sold Separately
- Integrated LED Light Source (Dimmable)
- Remote & Wall Control Included
- Dual Mount (Flat or Angled Ceiling)
- Sophisticated DC Motor requires automatic 7 minute calibration period upon installation. The remote and wall controls are inoperable during that time, after which the fan, remote control and wall control (if applicable) will be fully operational.
- Sophisticated DC Motor requires automatic 7 minute calibration period upon installation. The remote and wall controls are inoperable during that time, after which the fan, remote control and wall control (if applicable) will be fully operational.
- Remote On/Off or Dimming

Specs

| | |
|--------------------------------------|----------------------|
| Blade Sweep Opt (in.) | 72 |
| Blades | 9 |
| Blade Pitch (deg) | 12,14,16 |
| Motor Size (MM) | 153x16 |
| Amps at High Speed | 0.59 |
| Watts (Hi Speed) | 43.16 |
| Energy Guide Watts | 24 |
| Energy Guide CFM | 7502 |
| Energy Guide CFM_Watts | 174 |
| Energy Guide Est. Yearly Energy Cost | 7 |
| High Speed (CFM) | 7,501.760 |
| Low Speed (CFM) | 2,273.550 |
| Shipping Weight (lbs.) | 21.61 |
| Carton Size (CU FT) | 1.04 |
| Blade Options | Fits Only |
| Bulb CCT | 2700 |
| Bulb Wattage | 12.90 |
| CRI | 83.20 |
| Light Kit Options | Integrated Light Kit |
| Lumens | 1286 |

Dimensions

| | |
|--|-------|
| A: | 16.20 |
| B: | 14.02 |
| C: | 7.87 |
| D: | 5.91 |
| E: | 13.19 |
| F: w/o Light Kit - Downrod Length (in.) | 6 |



Downloads

Katana 72" - KAT72



[PDF Spec Sheet](#)



[Installation Guide](#)



ENERGY INFORMATION at High Speed

| Airflow | Electricity Use | Airflow Efficiency |
|-----------------------|----------------------------|--------------------------------|
| 7502 | 43 | 174 |
| Cubic Feet Per Minute | Watts (excludes lights) | Cubic Feet Per Minute Per Watt |

Compare: 49" to 60" ceiling fans have airflow efficiencies ranging from approximately 51 to 176 cubic feet per minute per watt at high speed.

Money-Saving Tip: Turn off fan when leaving room