

# Craftmade

CEILING FANS

Est. 1985

READ THESE INSTRUCTIONS AND  
SAVE THEM FOR FUTURE USE



## Katana

# Installation Guide

For Models:

KAT72ESP9

KAT72PT9

KAT72TI9

### Table of Contents:

Safety Tips. pg. 1

Unpacking Your Fan. pg. 2

Parts Inventory. pg. 2

Installation Preparation. pg. 3

Hanging Bracket Installation. pg. 3

Fan Assembly. pgs. 4 - 5

Wiring. pgs. 5 - 6

Canopy Assembly. pg. 6

Blade Assembly. pg. 7

Light Kit Assembly (Optional). pg. 7

Automated Learning Process./

Activating Code. pg. 8

Testing Your Fan. pg. 9

Troubleshooting. pg. 10

Warranty. pg. 10

Parts Replacement. pg. 10



**Intertek**

4009218

net weight of fan: 18.96 lb (8.6 kg)

PRINTED IN CHINA

# SAFETY TIPS.

**WARNING:** To reduce the risk of electrical shock, turn off the electricity to the fan at the main fuse box or circuit panel before you begin the fan installation or before servicing the fan or installing accessories.

1. **READ ALL INSTRUCTIONS AND SAFETY INFORMATION CAREFULLY BEFORE INSTALLING YOUR FAN AND SAVE THESE INSTRUCTIONS.**

**CAUTION:** To avoid personal injury, the use of gloves may be necessary while handling fan parts with sharp edges.

2. Make sure all electrical connections comply with Local Codes or Ordinances, the National Electrical Code, and ANSI/NFPA 70-1999. If you are unfamiliar with electrical wiring or if the house/building wires are different colors than those referred to in the instructions, please use a qualified electrician.
3. Make sure you have a location selected for your fan that allows clear space for the blades to rotate, and at least seven (7) feet (2.13 meters) of clearance between the floor and the fan blade tips. The fan should be mounted so that the tips of the blades are at least thirty (30) inches (76 centimeters) from walls or other upright structures.
4. The outlet box and ceiling support joist used must be securely mounted, and capable of supporting at least 35 pounds (16 kilograms). The box must be supported directly by the building structure. Use only CETL or CUL in Canada or ETL or UL in USA listed outlet boxes marked "FOR FAN SUPPORT."

**WARNING:** To reduce the risk of fire, electrical shock, or personal injury, mount to the outlet box marked "Acceptable for Fan Support of 15.9 kg (35 lb) or less," and use the mounting screws provided with the outlet box. Most outlet boxes commonly used for the support of lighting fixtures are not acceptable for fan support and may need to be replaced. Consult a qualified electrician if in doubt.

**WARNING:** To reduce the risk of fire, electrical shock, or personal injury, wire connectors provided with this fan are designed to accept only one 12 gauge house wire and two lead wires from the fan. If your house wire is larger than 12 gauge or there is more than one house wire to connect to the corresponding fan lead wires, consult an electrician for the proper size wire connectors to use.

5. Electrical diagrams are for reference only. Light kits that are not packed with the fan must be CETL or CUL in Canada or ETL or UL in USA listed and marked suitable for use with the model fan you are installing. Switches must be CETL or CUL in Canada or ETL or UL in USA general use switches. Refer to the instructions packaged with the light kits and switches for proper assembly.
6. After installation is complete, check that all connections are absolutely secure.
7. After making electrical connections, spliced conductors should be turned upward and pushed carefully up into the outlet box. The wires should be spread apart with the grounded conductor and the equipment-grounding conductor on opposite sides of the outlet box.

**WARNING:** To reduce the risk of fire or electrical shock, do not use this fan with any solid state speed control device or control fan speed with a full range dimmer switch. [Using a full range dimmer switch to control fan speed will cause a loud humming noise from fan.]

8. Do not operate the reverse switch until fan has come to a complete stop. [**Note:** If using remote control with reverse capability, reverse fan blade direction only when on LOW speed.]
9. Do not insert anything between the fan blades while they are rotating.

**WARNING:** To reduce the risk of personal injury, do not bend the blade arms during assembly or after installation. Do not insert objects into the path of the blades.

**WARNING:** To avoid personal injury or damage to the fan and other items, be cautious when working around or cleaning the fan.

10. Do not use water or detergents when cleaning the fan or fan blades. A dry dust cloth or lightly dampened cloth will be suitable for most cleaning.

**WARNING:** To reduce the risk of personal injury, use **only** parts provided with this fan. **The use of parts OTHER than those provided with this fan will void the warranty.**

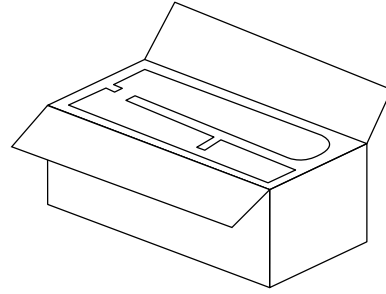
The LED light kit complies with Part 15 of the FCC Rules. Operation is subject to the following two conditions: (1) this LED light kit may not cause harmful interference, (2) this LED light kit must accept any interference received, including interference that may cause undesired operation.

**NOTE:** The important safety precautions and instructions appearing in the manual are not meant to cover all possible conditions and situations that may occur. It must be understood that common sense and caution are necessary factors in the installation and operation of this fan.

# 1. Unpacking Your Fan.

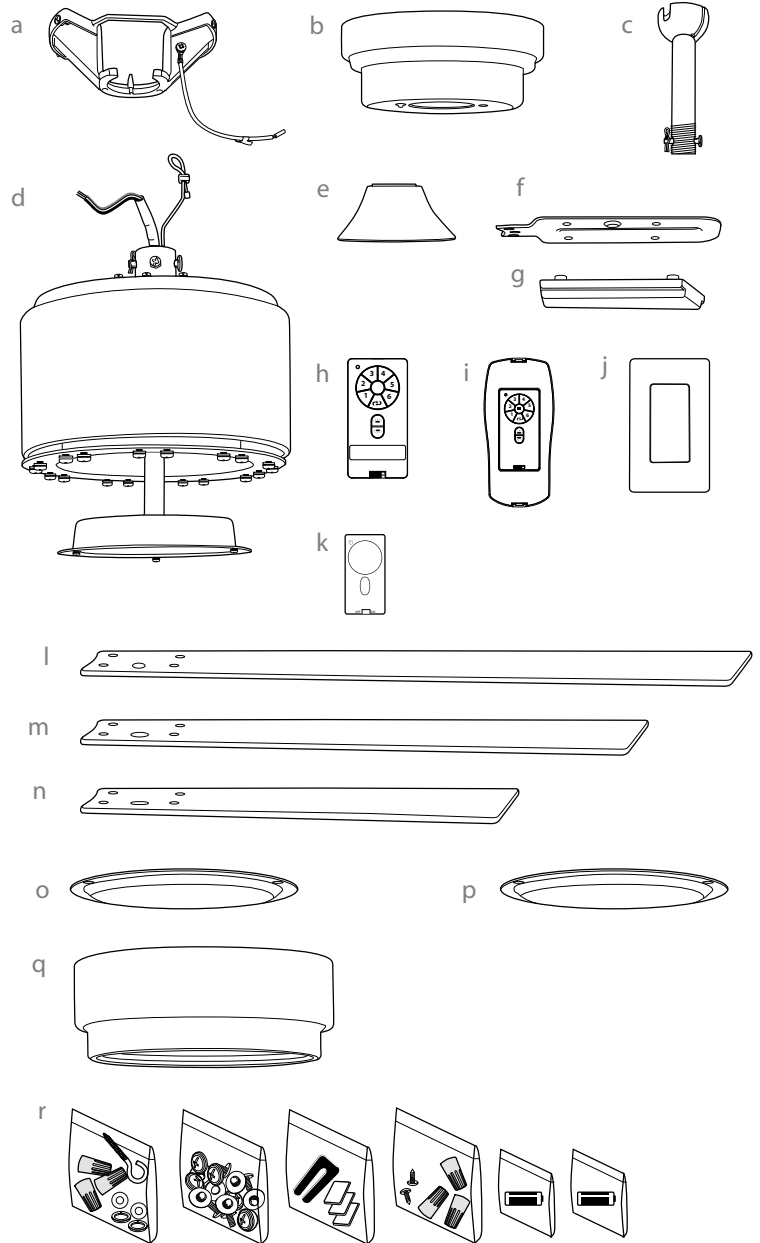
Carefully open the packaging. Remove items from Styrofoam inserts. Remove motor housing and place on carpet or Styrofoam to avoid damage to finish. Do not discard fan carton or Styrofoam inserts should this fan need to be returned for repairs.

Check against parts inventory that all parts have been included.



# 2. Parts Inventory.

- a.** hanging bracket (pre-attached to canopy). 1 piece
- b.** canopy. 1 piece
- c.** downrod and hanging ball (with pin and clip). 1 piece
- d.** motor housing. 1 piece
- e.** yoke cover. 1 piece
- f.** blade arm. 9 pieces
- g.** blade plate. 9 pieces
- h.** wall control. 1 piece
- i.** remote control transmitter. 1 piece
- j.** plate. 1 piece
- k.** faceplate. 3 pieces
- l.** long blade. 3 pieces
- m.** medium blade. 3 pieces
- n.** short blade. 3 pieces
- o.** shade. 1 piece
- p.** metal cover. 1 piece
- q.** shade fitter. 1 piece
- r.** hardware packs



**⚠ IMPORTANT REMINDER:** You must use the parts provided with this fan for proper installation and safety. **⚠**

### 3. Installation Preparation.

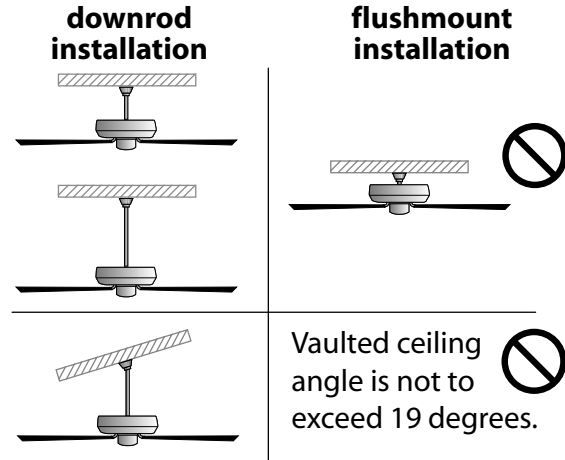
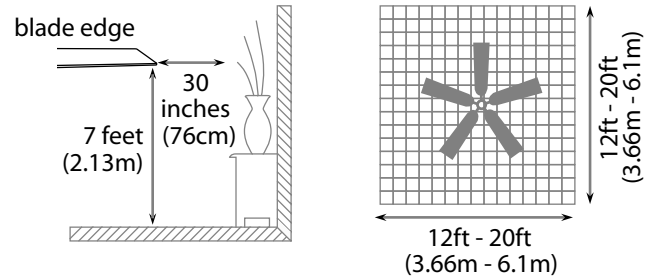
To prevent personal injury and damage, ensure that the hanging location allows the blades a clearance of 7 feet (2.13m) from the floor and 30in. (76cm) from any wall or obstruction.

This fan is suitable for room sizes up to 400 square feet (37.2 square meters).

This fan can be mounted with a **downrod** on a regular (no-slope) or vaulted ceiling. The hanging length can be extended by purchasing a longer downrod (0.5in./1.27cm diameter). Other installation, such as **flushmount**, is *not* available for this fan.

**Installation requires these tools:**

Phillips screwdriver, flathead screwdriver, adjustable pliers or wrench, stepladder, wire cutters, and rated electrical tape.



### 4. Hanging Bracket Installation.

Turn off circuit breakers to current fixture from breaker panel and be sure operating light switch is turned to the OFF position.

**WARNING:** Failure to disconnect power supply prior to installation may result in serious injury.

Remove existing fixture.

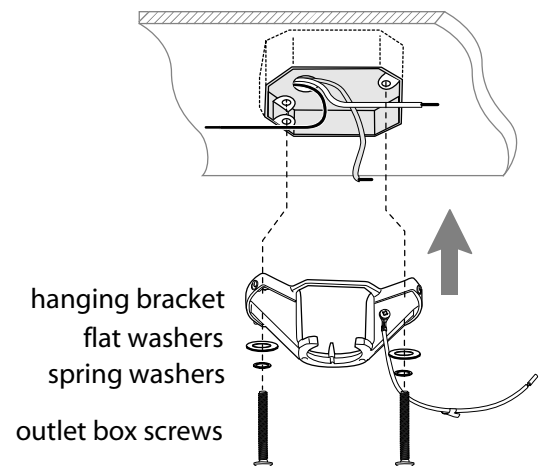
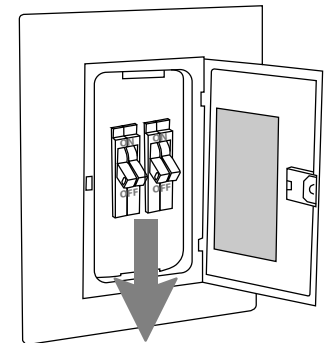
**WARNING:** When using an existing outlet box, be sure the outlet box is securely attached to the building structure and can support the full weight of the fan. Ensure outlet box is clearly marked "Suitable for Fan Support." If not, it must be replaced with an approved outlet box. Failure to do so can result in serious injury.

**CAUTION:** Be sure outlet box is grounded properly and that a ground wire (**GREEN** or bare) is present.

Partially loosen screws in slotted holes on opposite sides of canopy. Remove the other 2 screws--save for later use. Twist canopy to remove hanging bracket from canopy.

Install hanging bracket to outlet box, using original screws, spring washers and flat washers provided with new or original outlet box.\* Arrange electrical wiring around the back of the hanging bracket and away from the bracket opening.

**\*Note:** It is very important that you use the proper hardware when installing the hanging bracket as this will support the fan.



## 5. Fan Assembly.

Remove hanging ball from downrod provided by loosening set screw on hanging ball. Remove pin and clip. Lower hanging ball and remove stop pin. Then slide hanging ball off downrod. [Refer to **diagram 1**.]

Remove vice from safety cable by loosening the screw and nut on the vice. Loosen yoke set screws and nuts at top of motor housing. [Refer to **diagram 2**.]

**Tip:** To prepare for threading electrical wires through downrod, apply a small piece of electrical tape to the ends of the electrical wires--this will keep the wires together when threading them through the downrod. [Refer to **diagram 2**.]

Determine the length of downrod you wish to use. Thread safety cable and electrical wires through threaded end of downrod and pull extra wire slack from the upper end of the downrod. [Refer to **diagram 2**.]

Thread downrod into the motor housing yoke until holes for pin and clip in downrod align with holes in yoke--*make sure wires do not get twisted*. Re-insert pin and clip previously removed. Tighten yoke set screws and nuts securely. [Refer to **diagram 2**.]

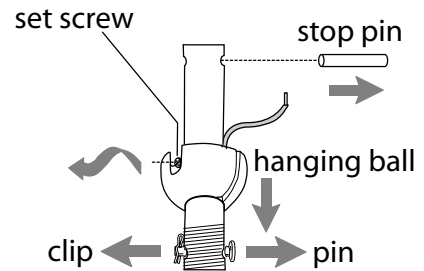
Slide yoke cover and canopy over downrod. [Refer to **diagram 3**.]

Thread safety cable and wires through hanging ball and then slide hanging ball over downrod--the top of the downrod should be noted as having a set screw hole; use this hole when setting the set screw. Insert stop pin into top of downrod and raise hanging ball. Be sure stop pin aligns with slots on the inside of the hanging ball. Tighten set screw securely. [Refer to **diagram 4**.]

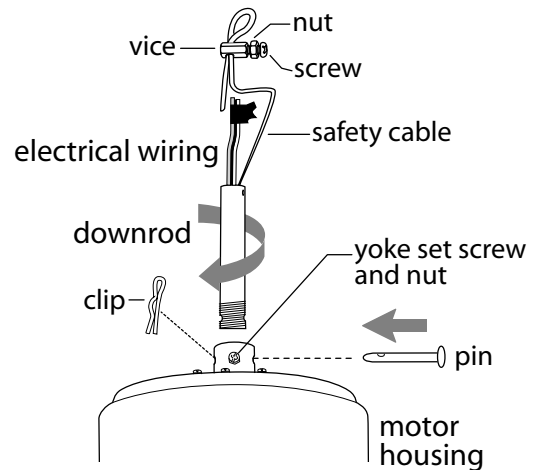
**WARNING:** Failure to tighten set screw (on hanging ball) completely could result in the fan becoming loose and possibly falling.

**["Fan Assembly" continued on next page.]**

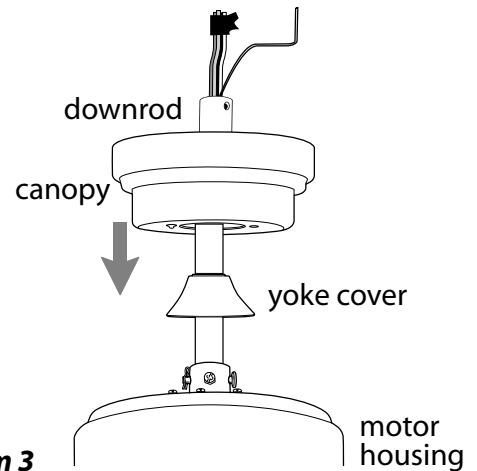
**NOTE:** The important safety precautions and instructions appearing in the manual are not meant to cover all possible conditions and situations that may occur. It must be understood that common sense and caution are necessary factors in the installation and operation of this fan.



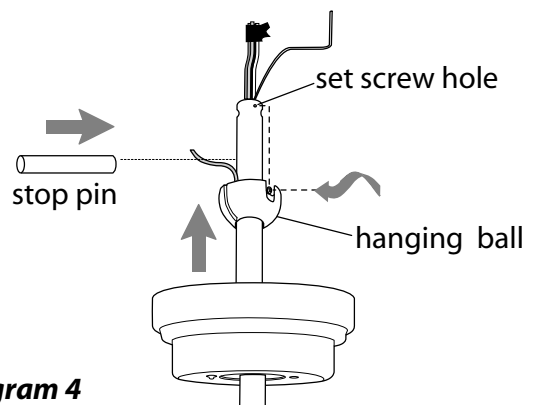
**diagram 1**



**diagram 2**



**diagram 3**



**diagram 4**

## 5. Fan Assembly. (cont.)

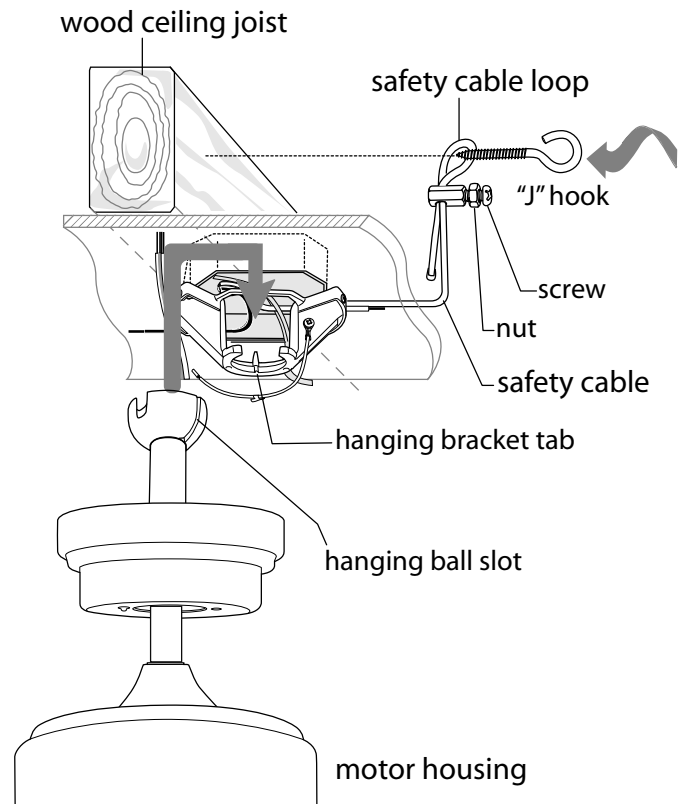
With the hanging bracket secured to the outlet box and able to support the fan, you are now ready to hang your fan. Grab the fan firmly with two hands. Slide downrod through opening in hanging bracket and let hanging ball rest on the hanging bracket. Turn the hanging ball slot until it lines up with the hanging bracket tab.

**WARNING:** Failure to align slot in hanging ball with tab in hanging bracket may result in serious injury or death.

**Tip:** Seek the help of another person to hold the stepladder in place and to help lift the fan up to you once you are set on the ladder.

Find a secure attachment point (wood ceiling joist highly recommended) and secure safety cable. It will be necessary to use the "J" hook (included) with the safety cable loop.

Replace vice on safety cable and adjust safety cable length by pulling on the cable. Adjust slack in cable to a hands length and secure vice by tightening screw and nut securely. The loop at the end of the safety cable should just fit over the "J" hook. [**Refer to drawing at right.**] Test safety cable by pulling with pliers on loose end of the cable. If the safety cable slips, the screw and nut on the vice must be set tighter. Extra cable slack can be left in ceiling area.



## 6. Wiring.

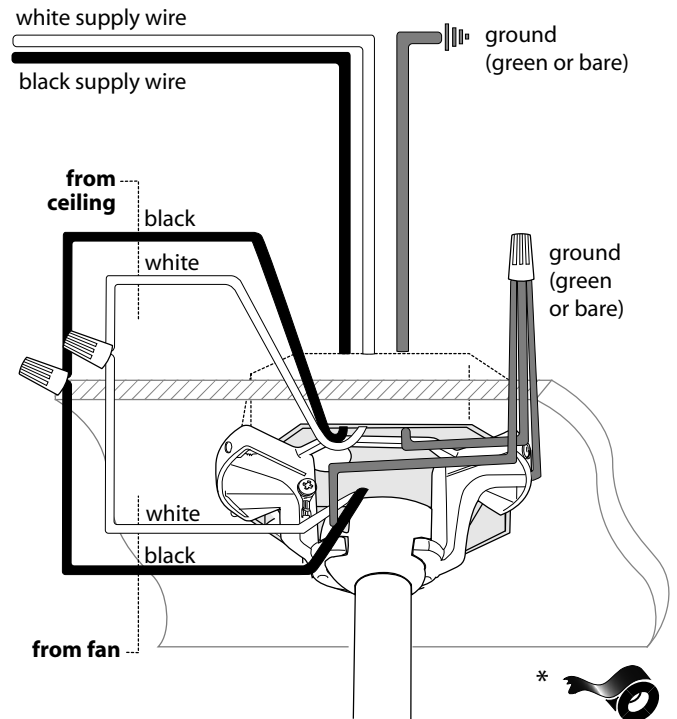
**WARNING:** Turn off circuit breakers to current fixture from breaker panel and be sure switch is turned to the OFF position.

**CAUTION:** Be sure outlet box is properly grounded and that a ground (**GREEN** or Bare) wire is present.

Make sure all electrical connections comply with Local Codes or Ordinances and the National Electrical Code. If you are unfamiliar with electrical wiring or if the house/building wires are different colors than those referred to in the instructions, please use a qualified electrician.

**Note:** Excess lead wire length from the fan can be cut to the desired length and then stripped.

When downrod is secured in place on the hanging bracket, electrical wiring can be made as follows:  
 Connect **BLACK** wire from fan to **BLACK** wire from ceiling with wire connector provided.  
 Connect **WHITE** wire from fan to **WHITE** wire from ceiling with wire connector provided.  
 Connect all **GROUND (GREEN)** wires together from fan to **BARE/GREEN** wire from ceiling with wire connector provided.



\* Wrap each wire connector separately with electrical tape as an extra safety measure.

## 6. Wiring. (cont.)

[**PLEASE NOTE:** Wall and/or handheld remote control must be used for fan to operate. *If you do **not** wish to use the wall control, please proceed to Section 7 below to continue with fan installation.*]

**To install wall control**, remove existing wall switch. Wire one of the wall controls with wire connectors provided as shown in diagram at right.

\*Wrap each wire connector separately with electrical tape as an extra safety measure. Gently push wires and taped wire connectors into outlet box.

Install one 12-volt battery (included) in wall control.

**IMPORTANT:** Wall control will not function unless battery is installed.

Since this fan comes with LED bulbs, the dimmer switch (labeled **D** and **O**) has been pre-set to the "ON" position (**D**). If you do not wish to have dimming capability, please move the switch to the "OFF" position (**O**).

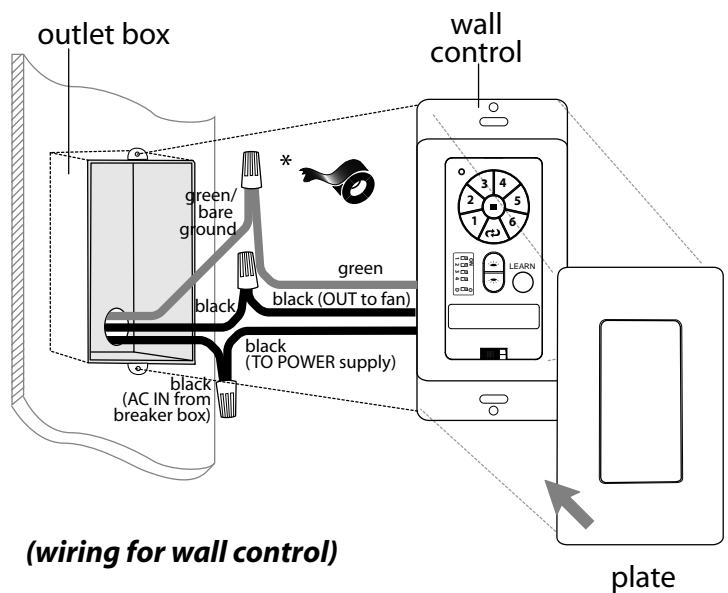
Attach wall control to outlet box and secure with screws from original wall switch. Attach plate (included) to wall control using 2 screws provided with the wall control.

Modifications not approved by the party responsible for compliance could void the user's authority to operate the equipment.

\*NOTE: This equipment has been tested and found to comply with the limits for a Class B digital device, pursuant to Part 15 of the FCC Rules. These limits are designed to provide reasonable protection against harmful interference in a residential installation. This equipment generates, uses and can radiate radio frequency energy and, if not installed and used in accordance with the instructions, may cause harmful interference to radio communications. However, there is no guarantee that interference will not occur in a particular installation. If this equipment does cause harmful interference to radio or television reception, which can be determined by turning the equipment off and on, the user is encouraged to try to correct the interference by one or more of the following measures:

- \* Reorient or relocate the receiving antenna.
- \* Increase the separation between the equipment and receiver.
- \* Connect the equipment into an outlet on a circuit different from that to which the receiver is connected.

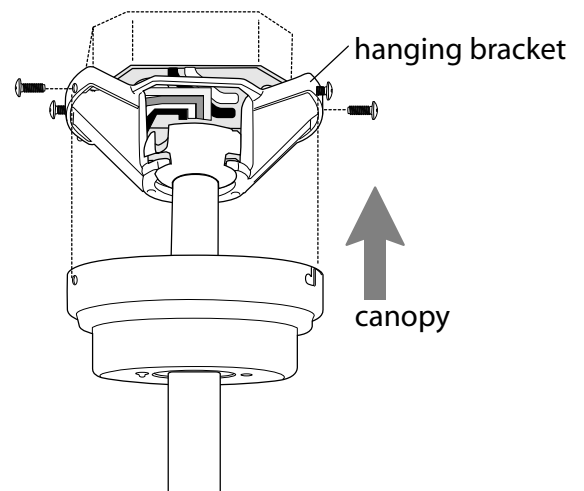
Consult the dealer or an experienced radio/TV technician for help.



(wiring for wall control)

## 7. Canopy Assembly.

Raise canopy to hanging bracket and align slotted holes in canopy with loosened screws in hanging bracket. Twist canopy to lock. Re-insert screws previously removed (on page 3, Section 4) and secure all screws with a Phillips screwdriver.



## 8. Blade Assembly.

**Time Saver:** Washers for blade screws can be set on each blade screw prior to installing blades.

Separate blade arms according to the shape between the 2 screw holes on one side--3 have circles, 3 have ellipses and 3 have long groove shapes. This shape will correspond with the shape on the different lengths of blades: the long blades have circles, the medium blades have ellipses and the short blades have the long, groove shape.

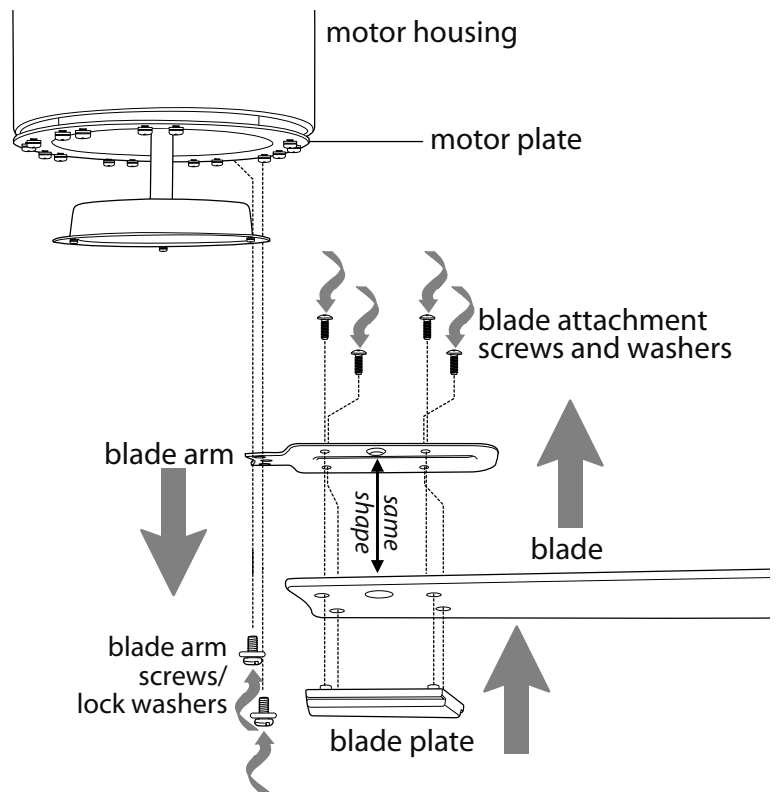
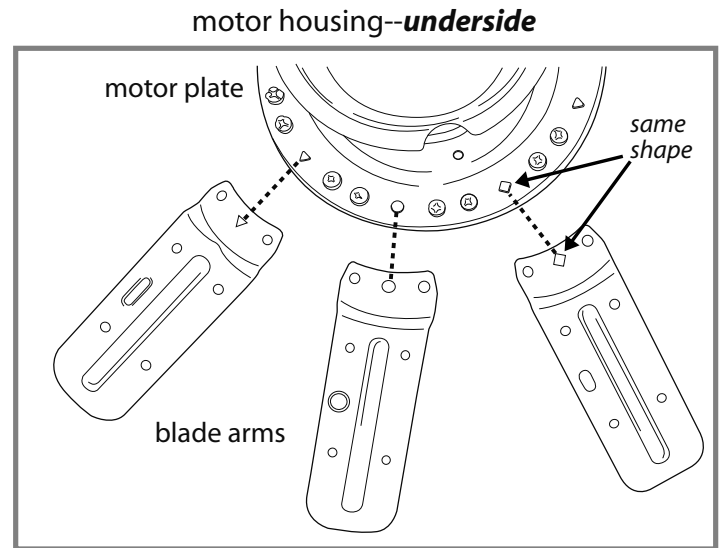
Locate 36 blade attachment screws and washers in one of the hardware packs. Hold blade plate up to one of the blades, aligning holes in blade plate with holes in blade *as shown*. Locate shape on blade arm and align **with the same shape** on blade. Then, lower blade arm over blade holes *as shown in diagram at right*. Partially insert 4 blade attachment screws (along with washers). Securely tighten screws with a Phillips screwdriver only after all 4 screws have been inserted. Repeat procedure for each blade (3 long, 3 medium and 3 short).

Remove blade arm screws/lock washers from motor plate on underside of fan motor and set aside. **PLEASE NOTE** the different shapes--*circles, diamonds and triangles*--in between each set of motor screw holes. These shapes correspond to the shapes between the screw holes at the end of each blade arm and are there to ensure blades are installed in the correct order.

**WARNING:** To reduce the risk of fire, electrical shock, personal injury or damage to the fan, it is VERY IMPORTANT that blades are installed in the order indicated on the motor plate.

Align blade arm holes and specific shape (circle, diamond or triangle) with motor screw holes and specific shape (circle, diamond or triangle) on motor plate and attach blade arm with blade arm screws/lock washers. Before securing screws permanently, repeat this procedure with remaining blade arms. Securely tighten all screws.

**NOTE:** Tighten blade arm screws twice a year.

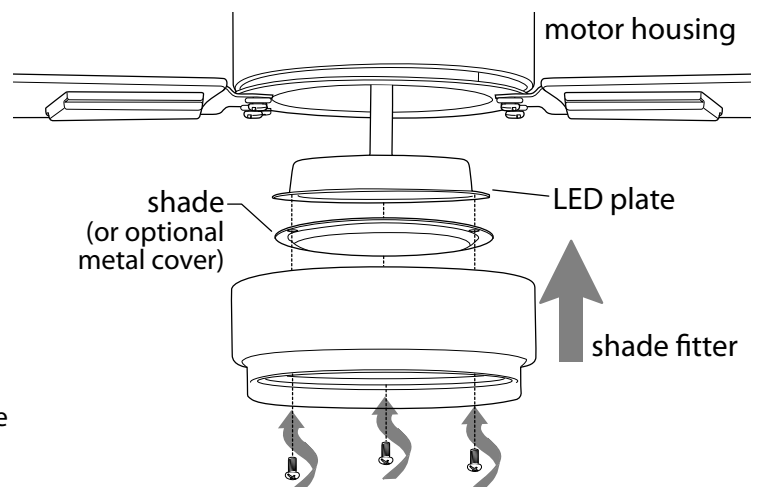


## 9. Light Kit Assembly (Optional).

Remove 3 screws from LED plate (on underside of motor housing).

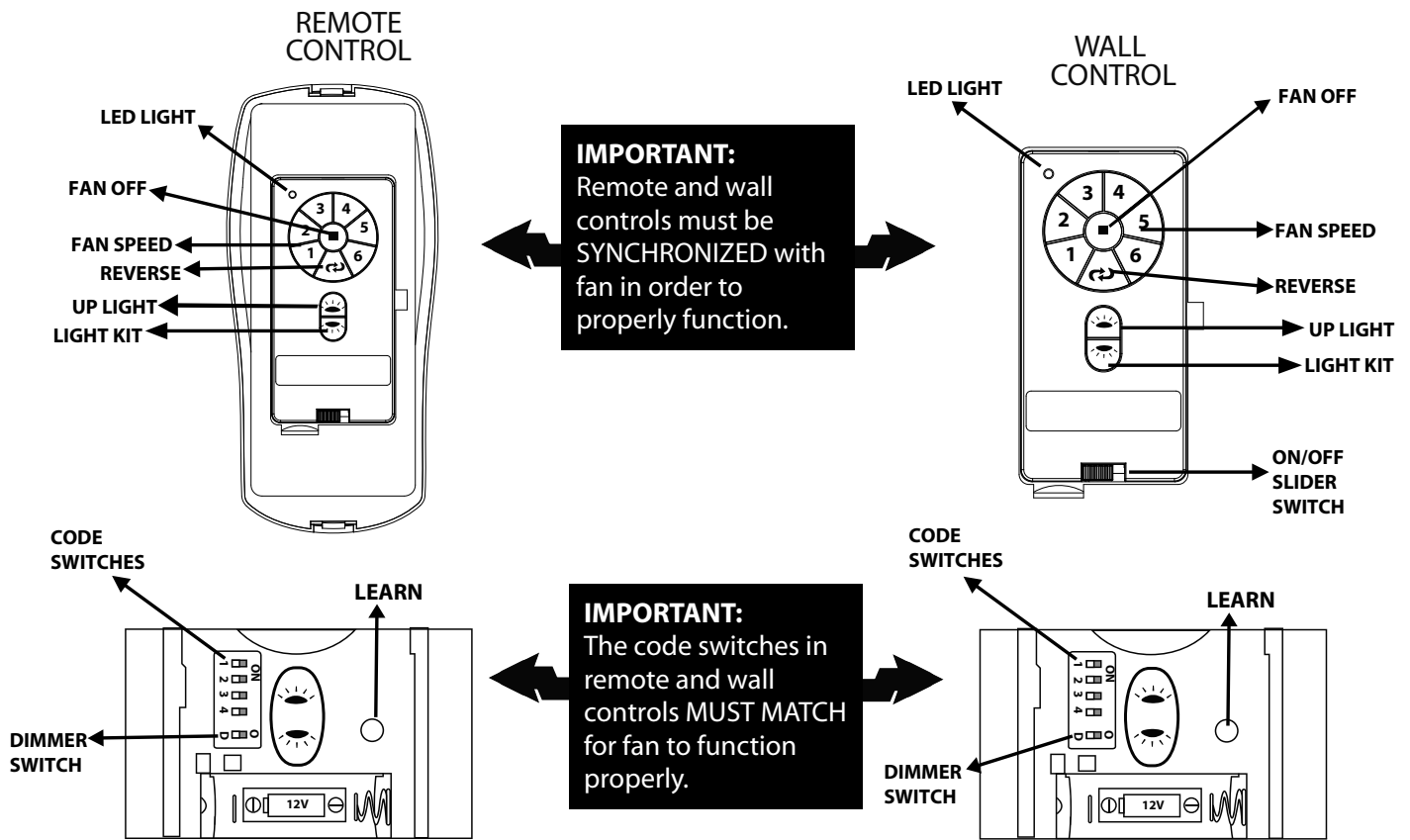
Place shade inside shade fitter\* and align holes. Raise shade fitter (with shade or metal cover) and align holes with holes in LED plate. Re-insert 3 screws that were just removed and tighten all screws securely. *Do NOT overtighten screws as shade may crack or break.*

**\*NOTE:** If you wish to use the fan *WITHOUT* the light, use **metal cover** instead of shade and place metal cover inside shade fitter. Continue with instructions in second paragraph, this section.





# 10. Automated Learning Process./Activating Code.



Install 12-volt battery (provided) in transmitter and wall control (if applicable).

**IMPORTANT:** Store the transmitter away from excess heat or humidity. To prevent damage to transmitter, remove the battery if not used for long periods.

**LED LIGHT:**

**FAN SPEED, Buttons 1-6:**

**REVERSE:**

**CODE SWITCHES and LEARN button:**

Comes on when any button is pressed.

Use to control the ceiling fan speed 1-6.

Use to control fan direction.

With fan power OFF, set **CODE SWITCHES** on handheld remote control and wall control to desired code setting. Turn fan power on. Within 30 seconds of powering fan, press and hold **LEARN** button on remote control and/or wall control for 5 seconds (or until fan beeps twice) in order to synchronize remotes with fan motor.

**UP-LIGHT:**

**LIGHT KIT:**

**DIMMER SWITCH:**

Use for up-light (if applicable).

Use for light kit (if applicable).

Dimming capability is determined by the type of bulbs provided with the light kit.

ON position = **D** OFF position = **O**

**FAN OFF:**

**ON/OFF slider switch:**



Use to turn fan off.


[Wall control only] Use to turn wall control on or off.

Select faceplate for remote control and/or wall control and press firmly onto front of remote control/wall control.

**IMPORTANT:** The Automated Learning Process takes 5 minutes to complete. Please leave the fan "on" for the duration of the 5-minute programming and do NOT use the remote control during this time.

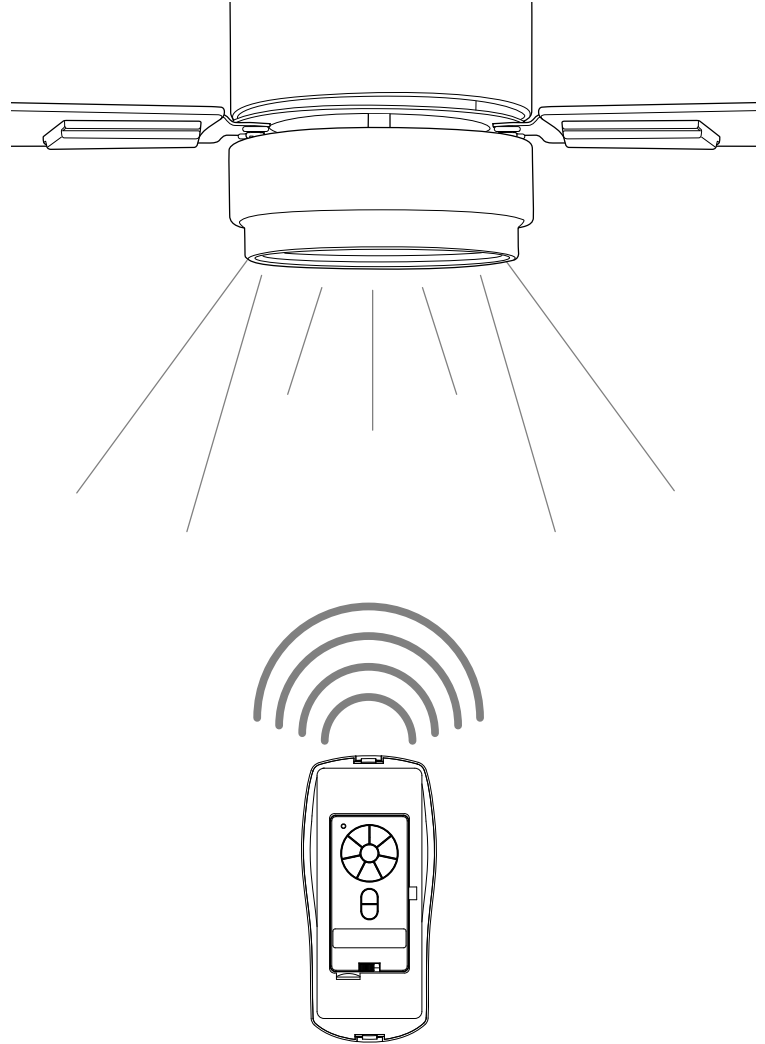
## 11. Testing Your Fan.

It is recommended that you test fan before finalizing installation. Test wall control (optional installation) by locating ON/OFF slider switch on wall control, then set to ON position. Test light ON/OFF and then test fan speeds. Next, locate remote control. Start with the light OFF and test the light ON/OFF function button. Test fan speed with different fan speed buttons (1 - 6). Next, locate handheld remote control. Test fan speeds with the different fan speed buttons (1 - 6) on handheld remote control. Test the light ON/OFF function by pressing the  button; test the dimmer function by pressing the  button and holding it down for 1 second. If the remote control operates the functions of the fan and light, batteries have been installed correctly. If the wall and/or remote control do (does) not operate the fan/light functions, refer to "Troubleshooting" section to solve any issues before contacting Customer Service.

Fan *must* be on LOW *before* setting the fan in reverse. Use  button to recirculate air depending on the season. A ceiling fan will allow you to raise your thermostat setting in summer and lower your thermostat setting in winter without feeling a difference in your comfort.

**NOTE:** If the wall/remote control interferes with other appliances, change code switches on the wall/remote control to another code. If you do change the code, **turn power off first**. After setting the new code on the wall/remote control, go back to the instructions for the LEARN button in Section 10 (page 8).

**IMPORTANT:** Remote control (and wall control, if applicable) must be synchronized with fan in order to properly function.



## Troubleshooting.

**WARNING:** Failure to disconnect power supply prior to troubleshooting any wiring issues may result in serious injury.

**Problem:** Fan fails to operate.

**Solutions:**

1. Check power to wall switch/wall control.
2. Verify that wall control (optional use) is wired properly.
3. Check to be sure code switches in remote control transmitter (and wall control if applicable) are set properly.
4. Check to be sure fan is wired properly.
5. Learning process between fan, remote control and, if applicable, wall control may not have been successful and code was not activated. Turn off power and repeat instructions for code switches and LEARN button in Section 10 (page 8).
6. Check that red light on handheld remote control turns on when a button is pressed indicating that the battery is good.

**Problem:** Light kit not lighting.

**Solutions:**

1. Check wall switch to fan/wall control.
2. Check that wires in canopy are wired properly.
3. Check to be sure code switches in remote control transmitter (and wall control if applicable) are set properly.
4. Learning process between fan, remote control and, if applicable, wall control may not have been successful and code was not activated. Turn off power and repeat instructions for code switches and LEARN button in Section 10 (page 8).

**Problem:** Fan operates but light fails.

**Solutions:**

1. Check to be sure wires in canopy are wired properly.

**Problem:** Fan and light fail to operate with remote control and/or wall control.

**Solutions:**

1. Check battery power to handheld remote control and/or wall control.
2. Learning process between fan, remote control and, if applicable, wall control may not have been successful and code was not activated. Turn off power and repeat instructions for code switches and LEARN button in Section 10 (page 8).

**Problem:** Fan wobbles.

**Solutions:**

1. Use the balancing kit provided in one of the hardware packs. *If no blade balancing kit is provided, please call Customer Support, 1-800-486-4892, to request one.*
2. Check to be sure set screw(s) on motor housing yoke is (are) tightened securely.
3. Check to be sure set screw on hanging ball is tightened securely.

## Warranty.

CRAFTMADE/ELLINGTON LIFETIME WARRANTY:

CRAFTMADE/ELLINGTON warrants this fan to the original household purchaser for indoor use under the following provisions:

**1-YEAR WARRANTY:** CRAFTMADE/ELLINGTON will replace or repair any fan which has faulty performance due to a defect in material or workmanship. Contact Craftmade/Ellington Customer Service at **1-800-486-4892** to arrange for return of fan. Return fan, shipping prepaid, to Craftmade/Ellington. We will repair or ship you a replacement fan, and we will pay the return shipping cost.

**5-YEAR WARRANTY:** CRAFTMADE/ELLINGTON will repair or replace at no charge to the original purchaser any fan motor that fails to operate satisfactorily when failure results from normal use.

**RETURN FAN MOTOR ONLY,** shipping prepaid, to Craftmade/Ellington. We will repair or ship purchaser a replacement motor and Craftmade/Ellington will pay the return shipping cost.

**6-YEAR to LIFETIME LIMITED WARRANTY:**

CRAFTMADE/ELLINGTON will repair the fan, at no charge for labor only to the original purchaser, if the fan motor fails to operate satisfactorily when failure results from normal use. Parts used in the repair will be billed to the purchaser at prevailing prices at time of repair.

The purchaser shall be responsible for all costs incurred in the removal, reinstallation and shipping of the product for repairs.

This warranty does not apply when damage from mechanical, physical, electrical or water abuse results in causing the malfunction. Deterioration of finishes or other parts due to time or exposure to salt air is specifically exempted under this warranty.

Neither Craftmade/Ellington nor the manufacturer will assume any liability resulting from improper installation or use of this product. In no case shall the company be liable for any consequential damages for breach of this, or any other warranty expressed or implied whatsoever. This limitation as to consequential damages shall not apply in states where prohibited.

## Parts Replacement.

For parts and information, please refer to "Parts Inventory" on page 2.

Craftmade/Ellington Customer Support:

**1-800-486-4892**

[www.craftmadebrands.com](http://www.craftmadebrands.com)

**Craftmade**  
CEILING FANS Est. 1985

LEER ESTAS INSTRUCCIONES Y  
GUARDARLAS PARA UTILIZACION FUTURA



# Katana

## Guía de instalación

Para modelos:

**KAT72ESP9**

**KAT72PT9**

**KAT72TI9**

### Índice de materias:

Sugerencias de seguridad. Pág. 1

Desempaquetado del ventilador. Pág. 2

Inventario de piezas. Pág. 2

Preparación para la instalación. Pág. 3

Instalación del soporte de montaje. Pág. 3

Ensamblaje del ventilador. Págs. 4 - 5

Instalación eléctrica. Págs. 5 - 6

Colocación de la cubierta decorativa. Pág. 6

Colocación de las aspas. Pág. 7

Instalación del juego de luz (opcional). Pág. 7

Proceso de aprendizaje automático./

El activar el código. Pág. 8

Verificación del funcionamiento del ventilador. Pág. 9

Localización de fallas. Pág. 10

Garantía. Pág. 10

Piezas de repuesto. Pág. 10



**Intertek**  
4009218

peso neto del ventilador: 8,6 kg (18,96 lb)

IMPRESO EN CHINA

# SUGERENCIAS DE SEGURIDAD.

**ADVERTENCIA:** Para evitar la posibilidad de una descarga eléctrica, desconectar la corriente en la caja de fusibles principal o el interruptor protector antes de iniciar la instalación del ventilador o antes de repararlo o instalar accesorios.

1. **LEER TODAS LAS INSTRUCCIONES E INFORMACION DE SEGURIDAD CUIDADOSAMENTE ANTES DE INSTALAR SU VENTILADOR Y GUARDAR ESTAS INSTRUCCIONES.**

**PRECAUCION:** Para reducir el riesgo de daño corporal, es posible que sea necesario usar guantes al manejar las piezas del ventilador que tengan bordes afilados.

2. Asegurarse de que todas las conexiones eléctricas cumplan con los Códigos o las Ordenanzas Locales, el Código Nacional Eléctrico y ANSI/NFPA 70-1999. Si usted no está familiarizado con el alambrado eléctrico o los cables de la casa/el edificio son de colores diferentes a los cuales se refieren en las instrucciones, favor de buscar un electricista calificado.
3. Asegurarse de que haya localizado una ubicación para su ventilador que permite el espacio necesario para la rotación de las aspas, y por lo menos 2,13 metros (7 pies) de espacio libre entre el piso y las puntas de las aspas. Debe instalar el ventilador para que las puntas de las aspas queden a una distancia de por lo menos 76 centímetros (30 pulgadas) de las paredes y otras estructuras verticales.
4. La caja de salida eléctrica debe estar bien sujeta a la viga de soporte del techo y deben ser capaces de sostener por lo menos 16 kilogramos (35 libras). La caja de salida debe tener apoyo directo de la estructura del edificio. Sólo usar cajas de salida registradas con CETL o CUL en Canadá o ETL o UL en EEUU que indican que "sirven para ventilador" ("FOR FAN SUPPORT" en inglés).

**ADVERTENCIA:** Para reducir el riesgo de incendio, descarga eléctrica o daño corporal, instalar en la caja de salida marcada "Aceptable para sostener ventilador de 15,9 kg (35 lb) o menos" ["Acceptable for Fan Support of 15.9 kg (35 lb) or less"] y utilizar los tornillos proporcionados con la caja de salida. La mayoría de las cajas de salida que normalmente se usan para sostener los aparatos de alumbrado no siempre son apropiadas para sostener ventiladores y es posible que las tenga que reemplazar. En caso de duda, consultar con un electricista calificado.

**ADVERTENCIA:** Para reducir el riesgo de incendio, descarga eléctrica o daño corporal, los conectores para cable provistos con este ventilador son diseñados para aceptar sólo un cable de calibre 12 de la casa y dos cables principales del ventilador. Si el calibre del cable de la casa es superior al 12 o hay más de un cable de la casa para conectar a los cables principales del ventilador al cual corresponda cada uno, consultar con un electricista para informarse sobre el tamaño correcto de conectores para cable que se debe usar.

5. Los diagramas eléctricos son únicamente para referencia. Los juegos de luz que no se incluyen con el ventilador deben tener el símbolo CETL o CUL en Canadá o ETL o UL en EEUU) y también deben indicar que sirven para uso con este ventilador. Los interruptores deben ser interruptores de uso general CETL o CUL en Canadá o ETL o UL en EEUU. Referirse a las instrucciones incluidas con el juego de luz y los interruptores para ensamblarlos correctamente.
6. Después de haber terminado la instalación, asegurarse de que todas las conexiones estén totalmente seguras.
7. Después de haber terminado todas las conexiones eléctricas, los conductores empalmados deben ser volteados para arriba y colocados cuidadosamente dentro de la caja de salida. Los alambres se deben de separar con el conductor a tierra a un lado y el conductor a tierra del equipo al lado opuesto.

**ADVERTENCIA:** Para reducir el riesgo de incendio o una descarga eléctrica, no usar el ventilador con ningún control de velocidad de estado sólido ni controlar la velocidad del ventilador con un interruptor con reductor de luz de gama completa. [El usar un interruptor con reductor de luz de gama completa para controlar la velocidad del ventilador causará un zumbido recio del ventilador.]

8. No utilizar el interruptor de reversa hasta que el ventilador se haya parado completamente. **[Nota:** Si se usa un control remoto con capacidad de reversa, cambiar la dirección de las aspas sólo cuando el ventilador esté en velocidad BAJA.]
9. No insertar ningún objeto entre las aspas mientras estén rotando.

**ADVERTENCIA:** Para reducir el riesgo de daño corporal, no doblar los brazos de las aspas durante el ensamblaje ni durante la instalación. No insertar objetos entre las aspas mientras estén rotando.

**ADVERTENCIA:** Para reducir el riesgo de daño corporal o algún daño al ventilador, tener cuidado al estar trabajando alrededor del ventilador o limpiándolo.

10. No utilizar agua ni detergentes para limpiar el ventilador ni las aspas. Usar un trapo seco o ligeramente húmedo para su limpieza general.

**ADVERTENCIA:** Para reducir el riesgo de daño corporal, usar **sólo** las piezas provistas con este ventilador. **Al usar piezas DISTINTAS a las provistas con este ventilador se invalidará la garantía.**

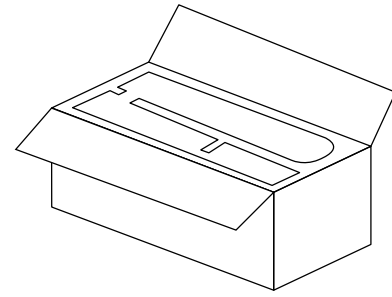
El juego de luz LED cumple con la sección 15 de las reglas de la FCC. Se sujeta el funcionamiento a las dos condiciones siguientes: (1) este juego de luz LED no puede causar una interferencia perjudicial, (2) este juego de luz LED tiene que aceptar cualquier interferencia recibida, inclusive interferencia que puede producir un funcionamiento indeseado.

**NOTA:** No se debe concluir que las precauciones de seguridad importantes e instrucciones en este manual van a abarcar todas las condiciones y situaciones posibles que puedan ocurrir. Se debe entender que el sentido común y la precaución son factores necesarios en la instalación y la operación de este ventilador.

# 1. Desempaquetado del ventilador.

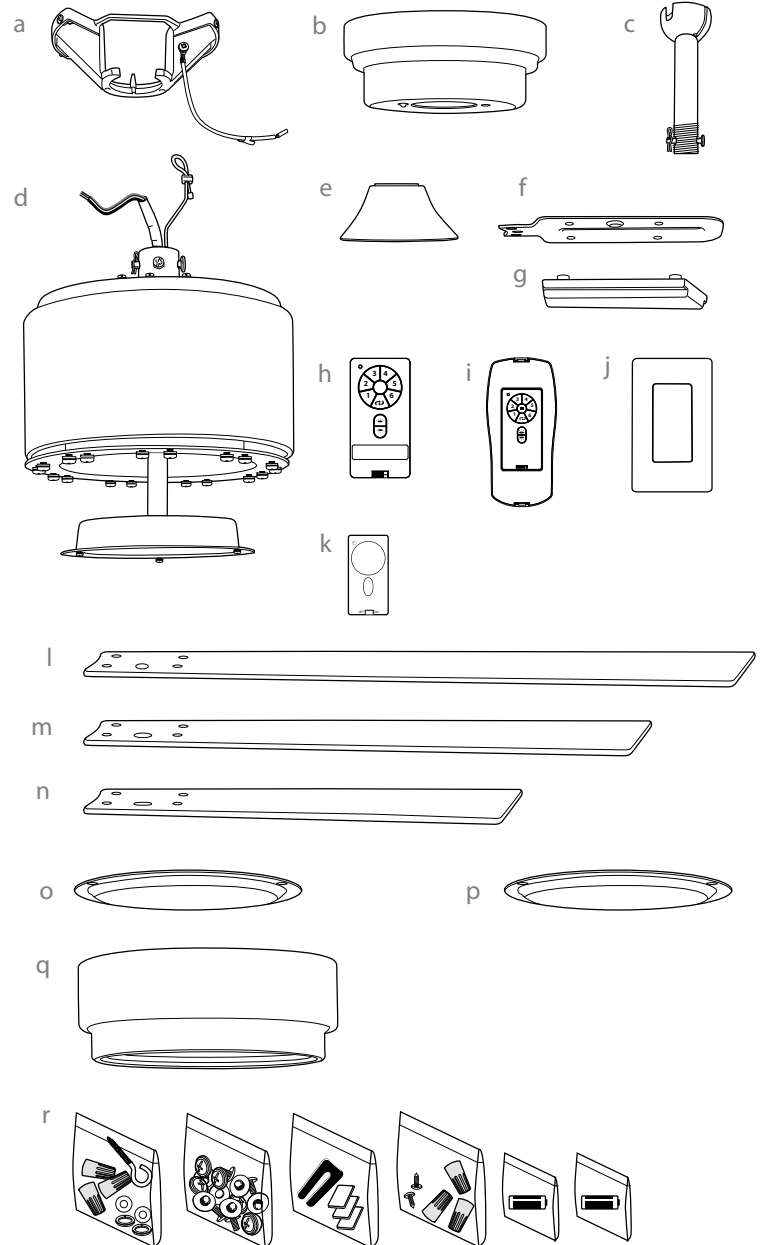
Abrir el empaque cuidadosamente. Sacar los artículos del embalaje. Sacar el motor y ponerlo en una alfombra o en el embalaje para evitar rayar el acabado. Guardar la caja de cartón o el empaquetamiento original en caso de que tenga que mandar el ventilador para alguna reparación.

Comprobar las piezas del ventilador con el inventario de piezas y verificar que se incluyeron todas.



# 2. Inventario de piezas.

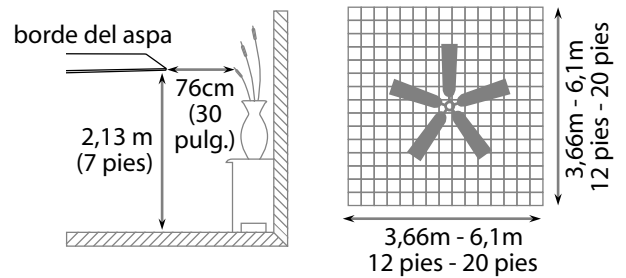
- a.** soporte de montaje (fijado de antemano a la cubierta decorativa). 1 unidad
- b.** cubierta decorativa. 1 unidad
- c.** tubo con bola que sirve para colgar (con perno y clavija). 1 unidad
- d.** bastidor del motor. 1 unidad
- e.** cubierta del cuello. 1 unidad
- f.** brazo para el aspa. 9 unidades
- g.** placa para el aspa. 9 unidades
- h.** control de pared. 1 unidad
- i.** transmisor del control remoto. 1 unidad
- j.** placa. 1 unidad
- k.** tapa. 3 unidades
- l.** aspa larga. 3 unidades
- m.** aspa mediana. 3 unidades
- n.** aspa corta. 3 unidades
- o.** pantalla. 1 unidad
- p.** cubierta de metal. 1 unidad
- q.** conector para la pantalla. 1 unidad
- r.** paquetes de artículos de ferretería



**⚠ RECORDATORIO IMPORTANTE:** Se tienen que utilizar las piezas provistas con este ventilador para una instalación adecuada y su seguridad. **⚠**

### 3. Preparación para la instalación.

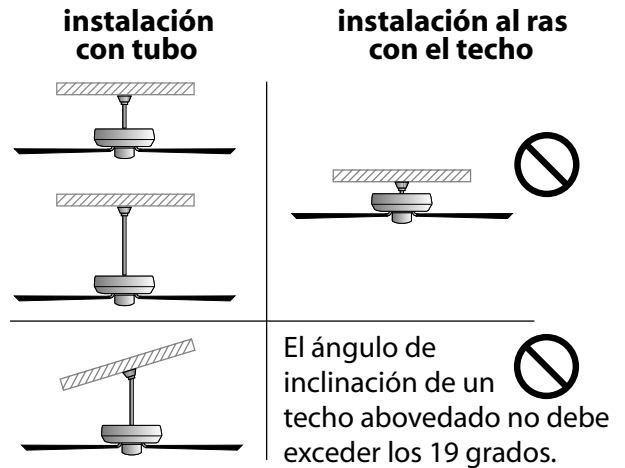
Para prevenir daño corporal y otros daños, estar seguro de que el lugar en donde va a colgar el ventilador le permite un espacio libre de 2,13m (7 pies) entre las puntas de las aspas y el piso y 76cm (30 pulg.) entre las aspas y cualquier pared u otra obstrucción. Este ventilador es adecuado para habitaciones hasta 37,2 metros cuadrados (400 pies cuadrados).



Se puede colgar este ventilador **con tubo** en un techo regular (sin inclinación) o abovedado. La longitud colgante se puede extender comprando un tubo más largo (con diámetro de 1,27 cm/0,5 pulg.). No hay ningún otro tipo de instalación, como **al ras con el techo**, disponible para este ventilador.

#### Se necesitan las herramientas siguientes para la instalación:

Destornillador de estrella Phillips, destornillador de paleta (plano), alicates ajustables o llave de tuercas, escalera de tijera, cortaalambres y cinta aisladora.



### 4. Instalación del soporte de montaje.

Apagar los cortacircuitos en el panel de electricidad que suplen corriente a la caja de salida y asegurarse de que el interruptor de luz esté APAGADO.

**ADVERTENCIA:** El no desconectar el suministro de fuerza antes de la instalación puede tener por resultado lesiones graves.

Quitar el aparato existente.

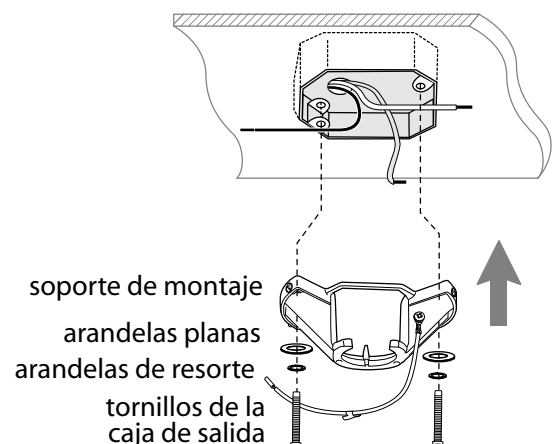
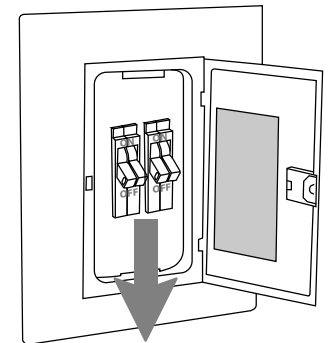
**ADVERTENCIA:** Si utiliza una caja de salida existente, asegurarse de que la caja de salida esté firmemente conectada a la estructura del edificio y que sea capaz de sostener el peso total del ventilador. Asegurarse de que la caja de salida indique claramente que "Sirve para ventilador" (FOR FAN SUPPORT); si no, se debe reemplazar con una caja de salida aprobada. El no hacer el cambio si es necesario puede resultar en lesiones graves.

**PRECAUCION:** Asegurarse de que la caja de salida esté conectada a tierra correctamente y que haya un conductor a tierra (cable VERDE o pelado).

Parcialmente aflojar los tornillos en los agujeros con ranura en la cubierta decorativa. Quitar los otros 2 tornillos--guardarlos para uso más adelante. Girar la cubierta decorativa para sacar el soporte de montaje.

Instalar el soporte de montaje utilizando los tornillos originales, las arandelas de resorte y las arandelas planas de su nueva o existente caja de salida.\* Arreglar el alambrado eléctrico (los cables) en la parte de atrás del soporte y lejos de la abertura del soporte.

**\*Nota:** Es muy importante usar los artículos de ferretería correctos al instalar el soporte de montaje puesto que sirve para sostener el ventilador.



## 5. Ensamblaje del ventilador.

Para quitar la bola que sirve para colgar del tubo provisto aflojar el tornillo de fijación de la bola que sirve para colgar. Quitar el perno y la clavija. Bajar la bola que sirve para colgar y quitar la bola que sirve para colgar del tubo deslizándola. [Referirse al **diagrama 1.**]

Quitar el seguro del cable de seguridad aflojando el tornillo y la tuerca en el seguro. Aflojar los tornillos de fijación del cuello y las tuercas en la parte superior del bastidor del motor. [Referirse al **diagrama 2.**]

**Sugerencia:** Para preparar los cables para pasarlos por el tubo, poner un pedacito de cinta aisladora en la punta de los cables--esto mantendrá los cables juntos al pasarlos por el tubo. [Referirse al **diagrama 2.**]

Determinar el largo del tubo que desea usar. Pasar los cables del ventilador y el cable de seguridad a través del extremo roscado del tubo y con cuidado jalar el cableado en exceso por la parte de arriba del tubo. [Referirse al **diagrama 2.**]

Enroscar el tubo en el cuello del bastidor del motor hasta alinearse los agujeros para el perno y la clavija en el tubo con los del cuello—asegurarse de que no se tuerzan los cables. Volver a introducir el perno y la clavija que se quitaron anteriormente. Apretar los tornillos de fijación del cuello y la tuerca completamente. [Referirse al **diagrama 2.**]

Deslizar la cubierta del cuello y la cubierta decorativa por el tubo. [Referirse al **diagrama 3.**]

Pasar el cable de seguridad y los cables por la bola que sirve para colgar y luego deslizar la bola que sirve para colgar sobre el tubo -- la parte de arriba del tubo debe tener el agujero para el tornillo de fijación en ese extremo; usar ese agujero al colocar el tornillo de fijación. Introducir el perno de tope en la parte de arriba del tubo y subir la bola que sirve para colgar. Asegurarse de que el perno de tope se ponga en línea con las ranuras dentro de la bola que sirve para colgar. Apretar bien el tornillo de fijación. [Referirse al **diagrama 4.**]

**ADVERTENCIA:** Si no se aprieta bien el tornillo de fijación (en la bola que sirve para colgar) es posible que se afloje el ventilador y que se caiga.

[El "Ensamblaje del ventilador" continúa en la página siguiente.]

**NOTA:** No se debe concluir que las precauciones de seguridad importantes e instrucciones en este manual van a abarcar todas las condiciones y situaciones posibles que puedan ocurrir. Se debe entender que el sentido común y la precaución son factores necesarios en la instalación y la operación de este ventilador.

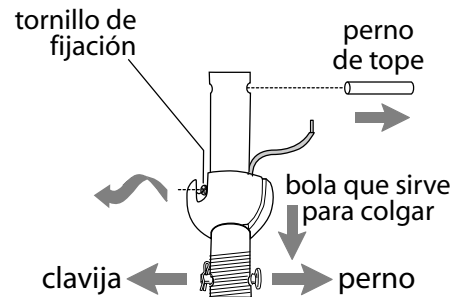


diagrama 1

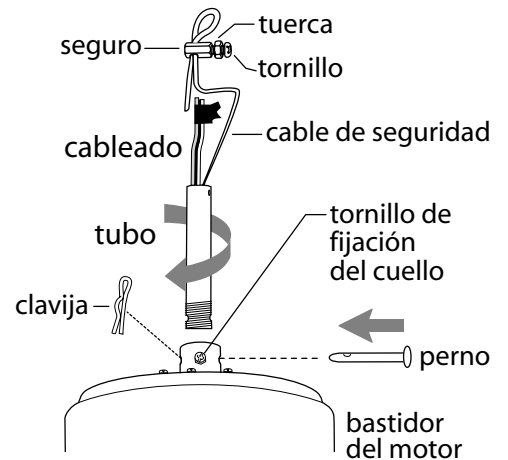


diagrama 2

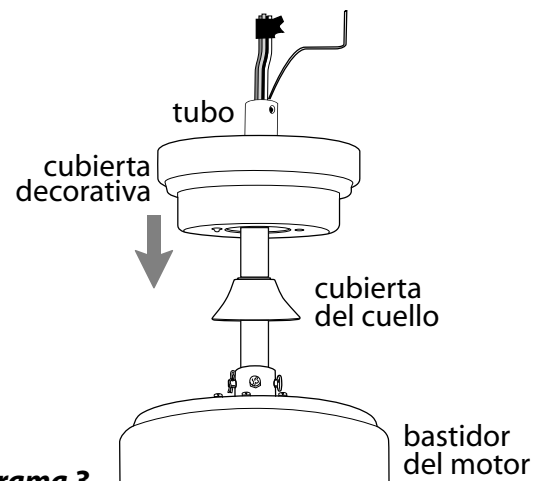


diagrama 3

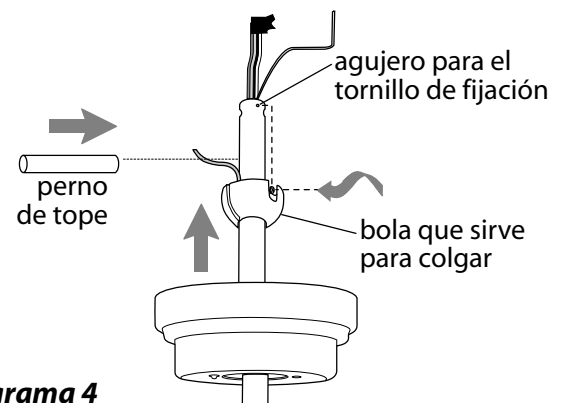


diagrama 4



## 5. Ensamblaje del ventilador. (cont.)

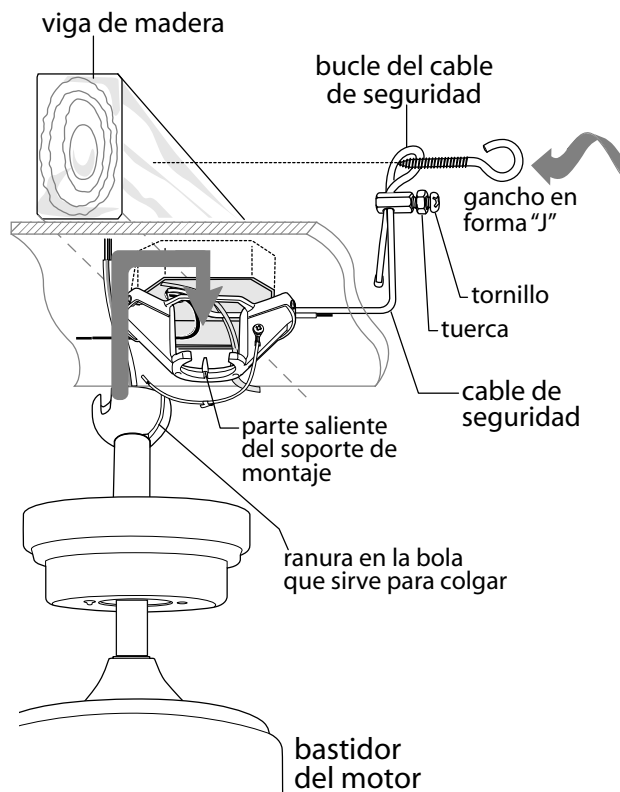
Ya que esté sujetado el soporte de montaje a la caja de salida y capaz de apoyar el ventilador, usted está listo para colgar el ventilador. Agarrar el ventilador firmemente con las dos manos. Deslizar el tubo por la abertura del soporte de montaje y dejar que se detenga la bola en el soporte de montaje. Girar la bola que sirve para colgar hasta que la ranura de la bola se alinee con la parte saliente del soporte de montaje.

**ADVERTENCIA:** El no alinear la ranura en la bola que sirve para colgar con la parte saliente del soporte de montaje puede causar lesiones graves o la muerte.

**Sugerencia:** Solicitar ayuda de otra persona para mantener sujeto la escalera y para que le suba el ventilador cuando usted ya esté preparado en la escalera para colgarlo.

Encontrar un punto de acoplamiento seguro (se recomienda la viga de madera en el techo) y asegurar el cable de seguridad. Utilizar el gancho en forma "J" (incluido) en el bucle del cable de seguridad.

Volver a poner el seguro en el cable de seguridad y ajustar el largo del cable de seguridad aflojando el tornillo y la tuerca del seguro y jalando en el cable. Ajustar la parte floja del cable para que mida como el largo de una mano y asegurar el seguro apretando bien el tornillo y la tuerca. [**Referirse al diagrama al lado.**] El bucle en el extremo del cable de seguridad debe ser de tal tamaño que pase justo sobre el gancho en forma de "J". Poner el cable a prueba jalando la parte suelta en la punta del cable con alicate. Si el cable se desliza o se reduce el bucle del cable por donde pasa el tornillo, hay que apretar el tornillo y la tuerca del seguro del cable de seguridad nuevamente. Se puede poner el cable en exceso en el área del techo.



## 6. Instalación eléctrica.

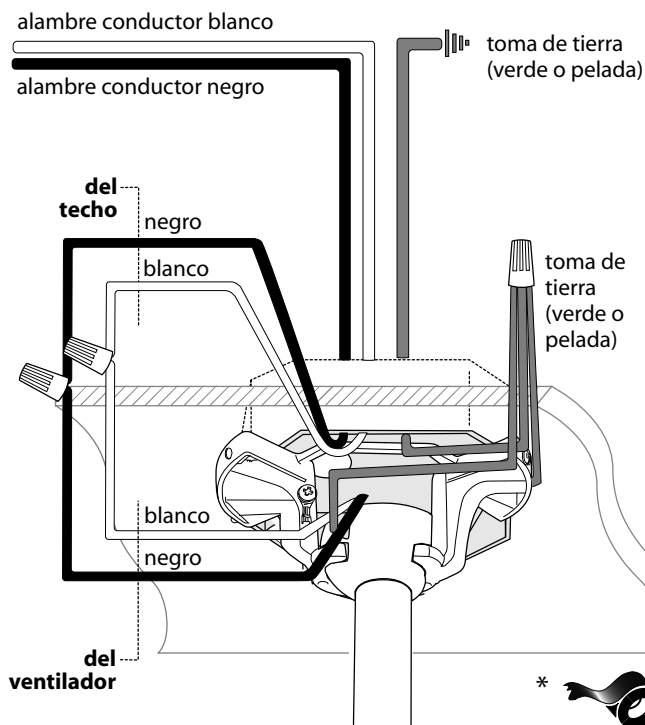
**ADVERTENCIA:** Apagar los cortacircuitos en el panel de electricidad que suplen corriente a la caja de salida y asegurarse de que el interruptor de luz esté APAGADO.

**PRECAUCION:** Asegurarse de que la caja de salida esté conectada a tierra como es debido y que exista un conductor a tierra (**VERDE** o **pelado**).

Asegurarse de que toda conexión eléctrica cumpla con los Códigos o las Ordenanzas Locales y el Código Nacional Eléctrico. Si usted no está familiarizado con la instalación eléctrica o los cables de la casa/el edificio son de colores diferentes a los cuales se refieren a continuación, favor de buscar un electricista calificado.

**Nota:** Si la longitud del alambrado que sale del ventilador es demasiado, se puede cortarlo al largo deseado y luego pelarlo.

Una vez que el ventilador esté bien sujeto en el soporte de montaje, se puede hacer la instalación eléctrica como sigue:  
Conectar los cables **NEGRO** del ventilador al cable **NEGRO** del techo con un conector para cable provisto.  
Conectar el cable **BLANCO** del ventilador al cable **BLANCO** del techo con un conector para cable provisto.  
Conectar todos los **CONDUCTORES A TIERRA (VERDES)** del ventilador a los **PELADOS/VERDES** del techo con un conector para cable provisto.



\* Como una medida de seguridad adicional, envolver cada conector para cable por separado con cinta aisladora.

## 6. Instalación eléctrica. (cont.)

[**FAVOR DE DARSE CUENTA:** Hay que utilizar el control de pared y/o el control remoto de mano para que funcione el ventilador. Si **no desea utilizar el control de pared, favor de pasar a la sección 7 a continuación para seguir con la instalación del ventilador.**]

**Para instalar el control de pared,** quitar el interruptor de pared existente. Alambrear uno de los controles de pared con los conectores para cable provistos *así como se muestra en el diagrama al lado.*

\* Como una medida de seguridad adicional, envolver cada conector para cable con cinta aisladora. Delicadamente meter los cables y los conectores para cable que tienen cinta dentro de la caja de salida.

Instalar 1 batería de 12 voltios (incluida) en el control de pared.

**IMPORTANTE:** El control de pared no funcionará sin que se instale la batería.

Ya que este ventilador viene con bombillas LED, el interruptor del reductor de luz (etiquetado **D** y **O**) está programado de antemano en posición de "ENCENDIDO" (**D**). Si no desea tener la capacidad de bajar la luz, favor de mover el interruptor a la posición de "APAGADO" (**O**).

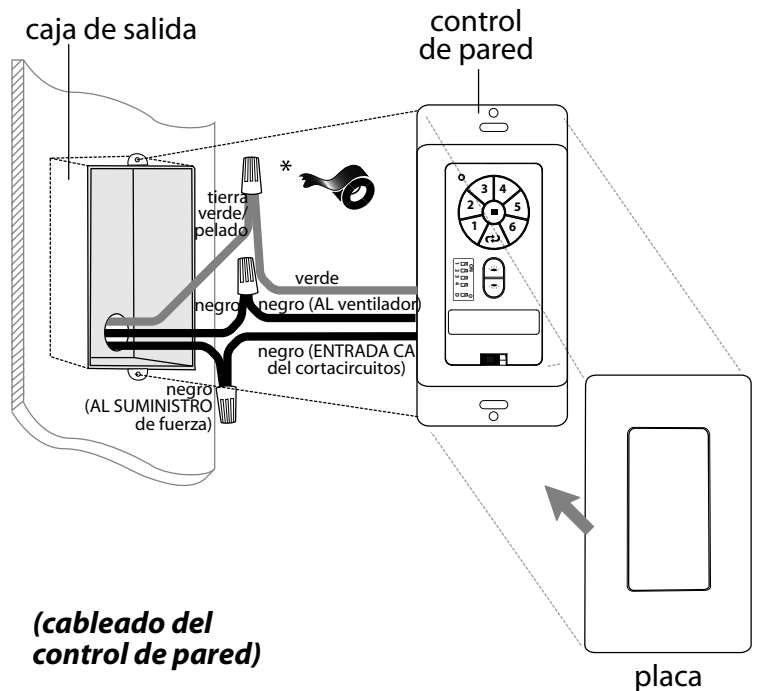
Sujetar el control de pared a la caja de salida y asegurarlo con los tornillos del interruptor de pared original. Sujetar la placa (incluida) al control de pared usando los 2 tornillos provistos con el control de pared.

Las modificaciones no aprobadas por la parte responsable de la conformidad podrían invalidar la autorización del usuario para manejar el equipo.

\*NOTA: Se han hecho pruebas en este equipo y se ha comprobado que cumple con los límites para un aparato digital de clase B, de acuerdo con la Parte 15 de las Reglas de la FCC. Se concibieron estos límites para proveer protección razonable contra la interferencia adversa en una instalación residencial. Este equipo produce, usa y puede radiar energía de radiofrecuencia y, si no se instala y no se usa según las instrucciones, puede causar interferencia adversa en la radiocomunicación. Sin embargo, no hay ninguna garantía de que no habrá interferencia en una instalación en particular. Si este equipo sí causa interferencia adversa en la recepción de radio o televisión, que se puede determinar apagando y prendiendo el equipo, se le urge al usuario a intentar rectificar la interferencia tomando una o más de las medidas que siguen:

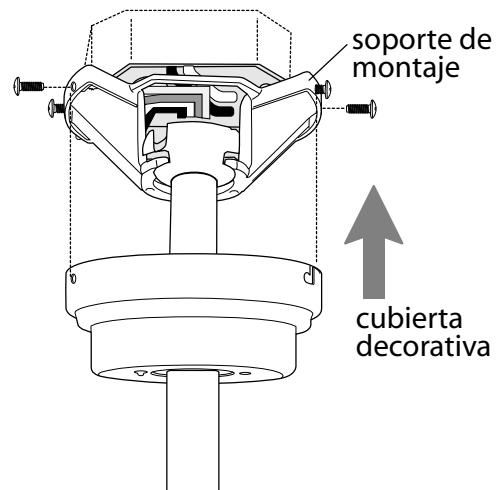
- \* Orientar la antena de nuevo o localizarla en otro sitio.
- \* Aumentar la separación entre el equipo y el receptor.
- \* Conectar el equipo a un tomacorriente en un circuito distinto al cual está conectado el receptor.

Solicitar ayuda del distribuidor o un técnico de radio/televisión.



## 7. Colocación de la cubierta decorativa.

Subir la cubierta decorativa al soporte de montaje, alineando los agujeros con ranura en la cubierta decorativa con los tornillos aflojados en el soporte de montaje. Girar la cubierta decorativa para cerrarla. Volver a introducir los tornillos que se quitaron anteriormente (página 3, sección 4) en los otros agujeros y asegurar todos los tornillos con destornillador de estrella Phillips.



## 8. Colocación de las aspas.

**Para ahorrar tiempo:** Se pueden poner las arandelas en los tornillos que son para las aspas antes de colocar las aspas.

Separar los brazos para las aspas según la forma que tiene entre los 2 agujeros para los tornillos en un lado--3 de ellos tienen círculos, 3 tienen elipses y 3 tienen forma de ranura larga. La forma que tiene corresponde con la forma en los diferentes largos de las aspas: las aspas largas tienen círculos, las aspas medianas tienen elipses y las aspas cortas tienen ranuras largas.

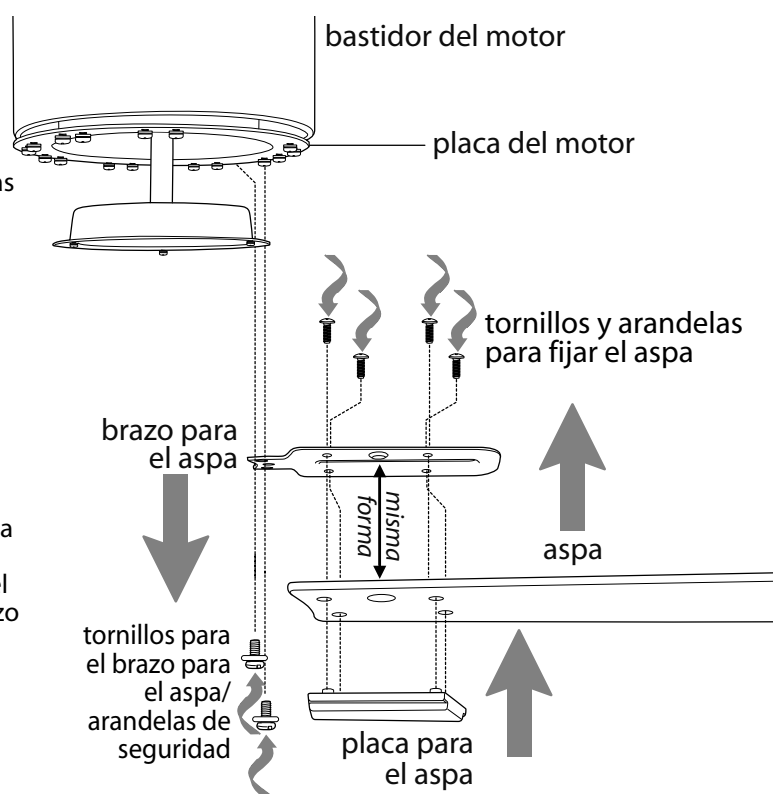
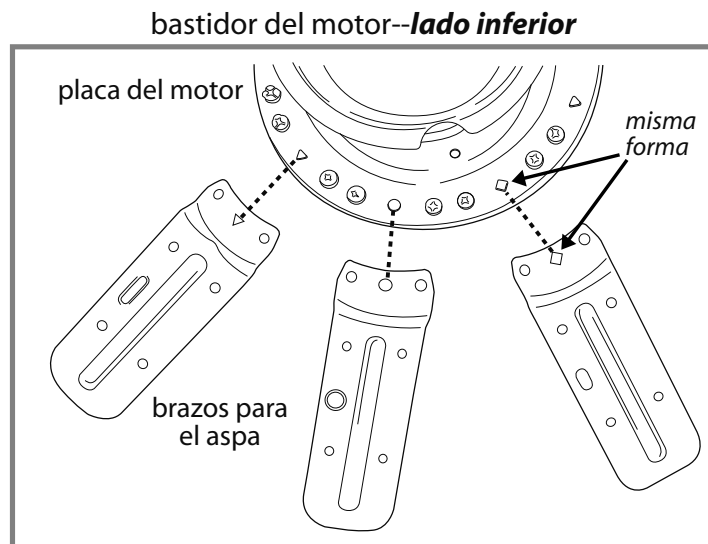
Localizar los 36 tornillos y arandelas para fijar las aspas en uno de los paquetes de artículos de ferretería. Agarrar una de las placas para las aspas y ponerla debajo de una de las aspas, alineando los agujeros en la placa para el aspa con los agujeros en el aspa *como se muestra*. Localizar la forma en el brazo para el aspa y alinearla con **la misma forma** en el aspa. Luego, poner el brazo para el aspa encima de los agujeros del aspa, *como se muestra en el diagrama al lado*. Parcialmente introducir 4 tornillos para fijar las aspas (junto con las arandelas). Apretar los tornillos bien con un destornillador de estrella Phillips sólo después de haber introducido los 4 tornillos. Repetir el procedimiento con cada aspa (3 largas, 3 medianas y 3 cortas).

Sacar los tornillos para los brazos para el aspa/las arandelas de seguridad del lado inferior del motor y ponerlos a un lado. **FAVOR DE DARSE CUENTA** de las diferentes formas--círculos, forma de diamante y triángulos--que se encuentran entre cada par de agujeros para los tornillos del motor. Las formas corresponden a las formas entre cada uno de los brazos para las aspas y se pusieron para saber que se instalaran las aspas en el orden debido.

**ADVERTENCIA:** Para reducir el riesgo de incendio, descarga eléctrica, daño corporal o algún daño al ventilador, es MUY IMPORTANTE que se instalen las aspas en el orden que se indica en la placa del motor.

Alinear los agujeros de uno de los brazos para las aspas y la forma específica (círculo, forma de diamante o triángulo) con los agujeros para los tornillos del motor en la placa del motor y fijar el brazo para el aspa con tornillos para el brazo para el aspa/arandelas de seguridad. Antes de apretar los tornillos bien, repetir el mismo procedimiento con los demás brazos para las aspas. Apretar bien todos los tornillos.

**NOTA:** Apretar los tornillos para los brazos para las aspas dos veces al año.

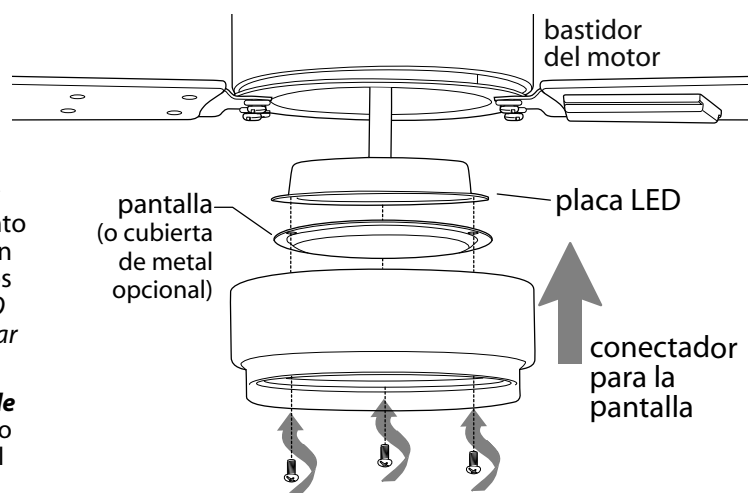


## 9. Instalación del juego de luz (opcional).

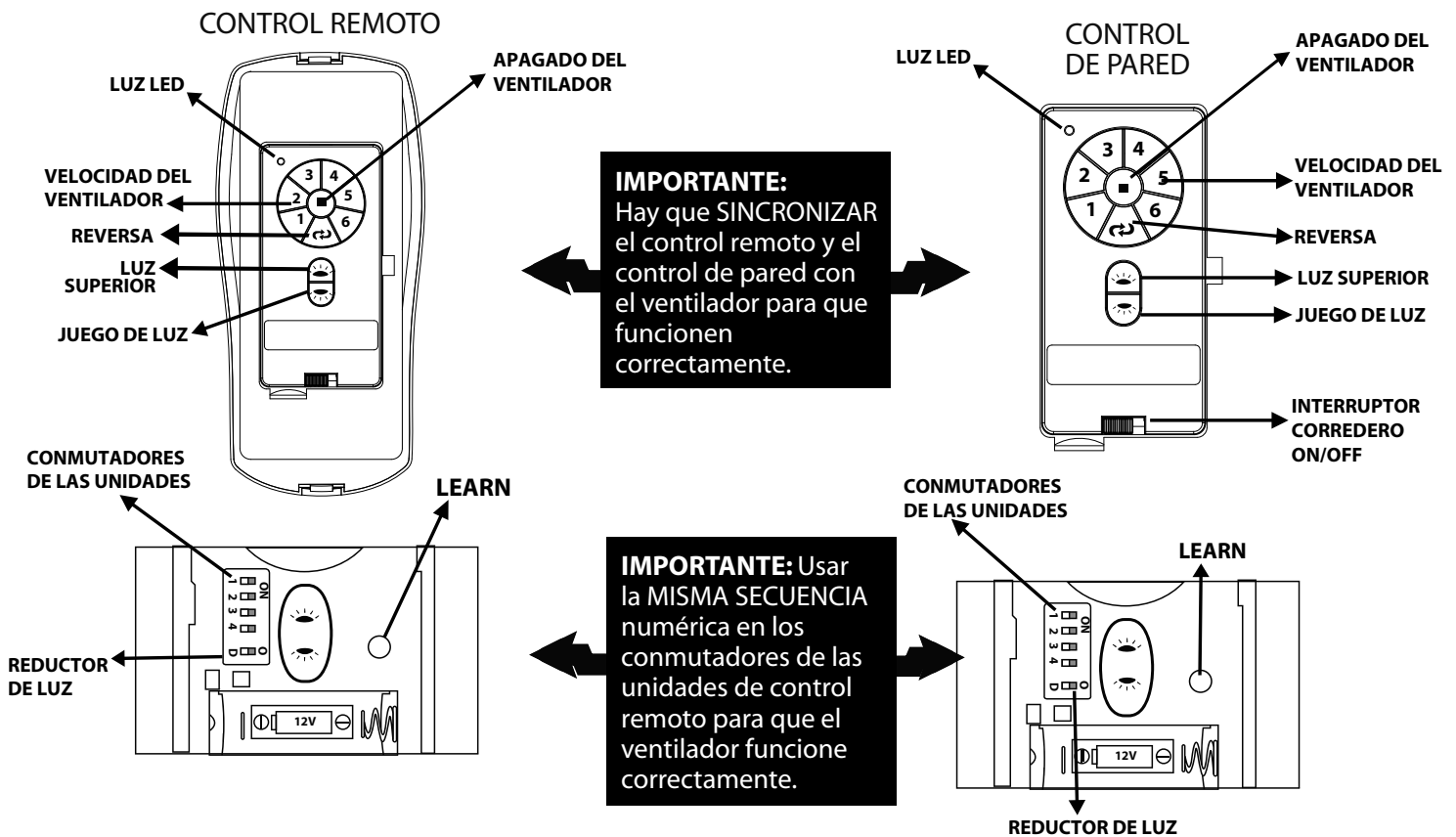
Quitar 3 tornillos de la placa LED (en la parte inferior del bastidor del motor).

Colocar la pantalla dentro del conector para la pantalla\* y alinear los agujeros. Subir el conector para la pantalla (junto con la pantalla o cubierta de metal) y alinear los agujeros con los agujeros en la placa LED. Volver a introducir los 3 tornillos que apenas se quitaron y apretar bien todos los tornillos. **NO apretar los tornillos demasiado ya que la pantalla se puede rajarse o romper.**

**\*NOTA:** Si desea usar el ventilador SIN la luz, utilizar la **cubierta de metal** en vez de la pantalla y colocar la cubierta de metal dentro del conector para la pantalla. Seguir con las instrucciones del segundo párrafo de esta sección.



## 10. Proceso de aprendizaje automático./El activar el código.



Instalar la batería de 12 voltios (incluida) en el transmisor y el control de pared (si aplica).

**IMPORTANTE:** Guardar el transmisor lejos del calor excesivo o la humedad. Para prevenir daño al transmisor, sacar la batería si no se va a utilizar el transmisor por un tiempo extendido.

**LUZ LED:**

Se enciende cuando se oprima cualquier botón.

**VELOCIDAD DEL VENTILADOR, Botones 1- 6 :** Usar para controlar la velocidad del ventilador.

Botón de **REVERSA:**

Usar para controlar la dirección del ventilador.

**CONMUTADORES DE LAS UNIDADES DE CONTROL REMOTO y botón LEARN:**

Con los cortacircuitos apagados, poner los **CONMUTADORES DE LAS UNIDADES DE CONTROL REMOTO** en el control remoto de mano y/o el control de pared el código deseado. Volver a conectar la electricidad. Dentro de 30 segundos de haber conectado la electricidad del ventilador, oprimir y mantener sujeto el botón **LEARN** en el control remoto y/o el control de pared por 5 segundos (o hasta que se emitan dos pitidos del ventilador) para sincronizar los controles con el motor del ventilador.

**LUZ SUPERIOR:**

Usar para las luces superiores (si se aplica).

**JUEGO DE LUZ:**

Usar para el juego de luz (si se aplica).

**REDUCTOR DE LUZ:**

Se determina la posibilidad de bajar la(s) luz (luces) dependiendo del tipo de bombillas provistas con el juego de luz..

posición de ENCENDIDO = **D** posición de APAGADO = **O**

Se usa para apagar el ventilador.

Botón de **APAGADO:**



[control de pared solamente] Usar para prender o apagar el control de pared.


Interruptor corredero **ON/OFF:**

Escoger la(s) tapa(s) para el control remoto y/o el control de pared y sujetarla fijamente en la parte delantera del control remoto/control de pared.

**IMPORTANTE:** El Proceso de aprendizaje automático tardará 5 minutos en completarse. Por favor, dejar el ventilador "encendido" durante estos 5 minutos que demora la programación y **NO** proceder a usar el control remoto durante este tiempo.

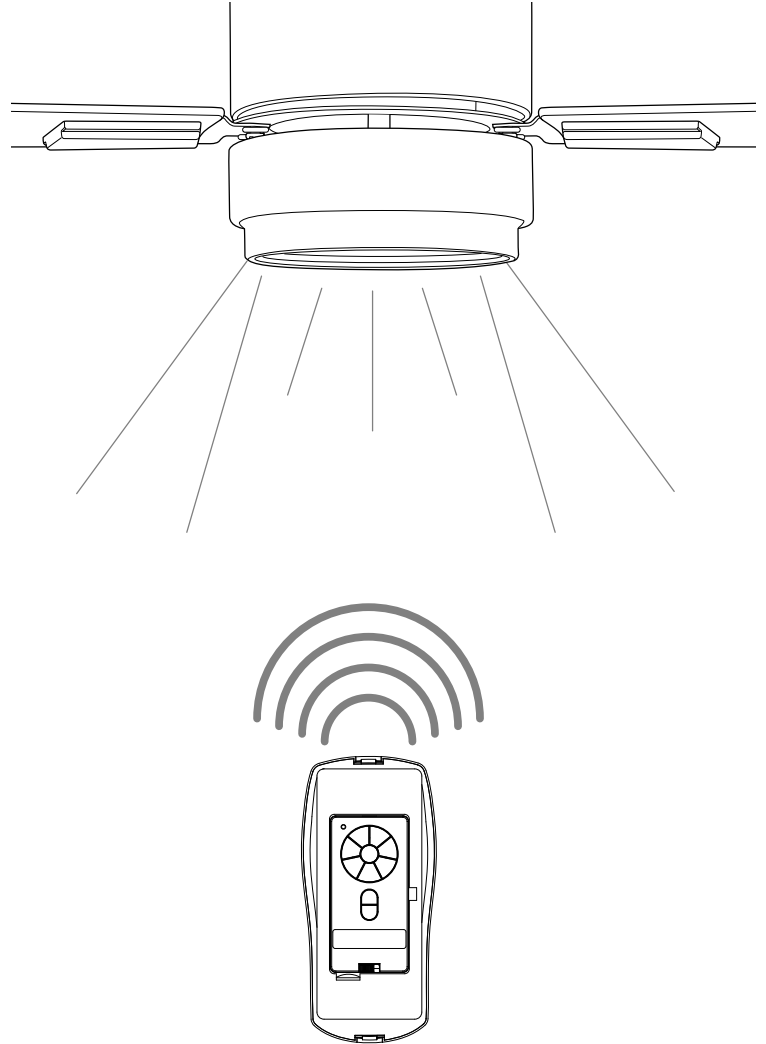
## 11. Verificación del funcionamiento del ventilador.

Se le recomienda poner el ventilador a prueba antes de terminar la instalación. Poner a prueba el control de pared (instalación opcional) localizando el interruptor corredero de APAGADO y ENCENDIDO en el control de pared, luego ponerlo en posición de ENCENDIDO (ON). Poner a prueba la luz y después las velocidades del ventilador. Luego, localizar el control remoto de mano. Verificar las velocidades del ventilador con los diferentes botones de velocidad (1 - 6). Poner a prueba la función de luz de APAGADO y ENCENDIDO con el botón ; poner a prueba el funcionamiento del reductor de luz oprimiendo el botón  por más de 1 segundo. Si el control remoto maneja las funciones del ventilador y la luz, se han instalado bien las baterías. Si el control de pared y/o el control remoto no controla todas las funciones del ventilador/la luz, favor de referirse a la sección "Localización de fallas" para resolver cualquier asunto antes de comunicarse con el Servicio al cliente.

Hay que poner el ventilador en posición BAJA antes de poner el ventilador en reversa. Usar el botón  para que circule bien el aire dependiendo de las estaciones del año. Un ventilador de techo le permitirá subir el termostato en verano y bajarlo en invierno sin notar una diferencia en su comodidad.

**NOTA:** Si el control remoto/de pared interfiere con otros enseres, cambiar a otro código en el control remoto/de pared. Si es que cambia el código, **primero cortar la corriente**. Después de poner un código nuevo en el control remoto/de pared, repetir las instrucciones que tienen que ver con el botón LEARN de la sección 10 (página 8).

**IMPORTANTE:** Hay que sincronizar el control remoto (y, si se aplica, el control de pared) con el ventilador para que funcione(n) correctamente.



## Localización de fallas.

**ADVERTENCIA:** *El no desconectar el suministro de fuerza eléctrica antes de hacer localización de fallas para cualquier problema de instalación eléctrica puede causar lesiones graves.*

**Problema:** El ventilador no funciona.

**Soluciones:**

1. Inspeccionar el interruptor de pared del ventilador/control de pared.
2. Verificar la instalación eléctrica del control de pared (uso opcional).
3. Asegurarse de que los conmutadores de control remoto estén puestos correctamente en el transmisor del control remoto (y el control de pared, si aplica).
4. Verificar la instalación eléctrica del ventilador.
5. Es posible que no tuvo éxito el proceso de aprendizaje entre el ventilador, el control remoto y, si se aplica, el control de pared y que no se activó el código. Cortar la corriente y repetir las instrucciones que tienen que ver con los conmutadores y el botón LEARN de la sección 10 (página 8).
6. Averiguar que la luz roja se prende en el control remoto de mano cuando se oprima un botón, lo cual significa que sirve la batería.

**Problema:** El juego de luz no se ilumina.

**Soluciones:**

1. Inspeccionar el interruptor de pared del ventilador/control de pared.
2. Asegurarse de que los conmutadores de control remoto estén puestos correctamente en el transmisor del control remoto (y el control de pared, si aplica).
3. Asegurarse de que los conmutadores de control remoto estén puestos correctamente en el transmisor del control remoto (y el control de pared, si aplica).
4. Es posible que no tuvo éxito el proceso de aprendizaje entre el ventilador, el control remoto y, si se aplica, el control de pared y que no se activó el código. Cortar la corriente y repetir las instrucciones que tienen que ver con los conmutadores y el botón LEARN de la sección 10 (página 8).

**Problema:** El ventilador funciona pero la luz no.

**Soluciones:**

1. Verificar que se hizo correctamente la conexión de cables en la cubierta decorativa.

**Problema:** No funcionan el ventilador ni la luz con el control remoto y/o el control de pared.

**Soluciones:**

1. Averiguar la carga de la batería en el control remoto de mano y/o el control de pared.
2. Es posible que no tuvo éxito el proceso de aprendizaje entre el ventilador, el control remoto y, si se aplica, el control de pared y que no se activó el código. Cortar la corriente y repetir las instrucciones que tienen que ver con los conmutadores y el botón LEARN de la sección 10 (página 8).

**Problema:** El ventilador se tambalea.

**Soluciones:**

1. Usar el juego para balancear las aspas incluido en uno de los paquetes de artículos de ferretería. *Si no se incluye un juego para balancear las aspas, llamar al Servicio al cliente, 1-800-486-4892, para pedir uno.*
2. Averiguar que se apretó (apretaron) bien el (los) tornillo(s) de fijación en el cuello del bastidor del motor.
3. Averiguar que se apretó bien el tornillo de fijación en la bola que sirve para colgar.

## Garantía.

GARANTIA LIMITADA DE POR VIDA DE CRAFTMADE/ELLINGTON:

CRAFTMADE/ELLINGTON garantiza este ventilador al comprador original de grupo familiar para uso interior con las siguientes condiciones:

**GARANTIA DE 1 AÑO:** CRAFTMADE/ELLINGTON reemplazará o reparará cualquier ventilador que tenga funcionamiento deficiente debido a defectos en los materiales o trabajo manual. Comunicarse con el Servicio al Cliente de CRAFTMADE/ELLINGTON al **1-800-486-4892** para acordar el reenvío del ventilador. Devolver el ventilador, con los gastos de envío prepagados, a Craftmade/Ellington. Nosotros repararemos o reemplazaremos el ventilador y pagaremos los gastos de envío de regreso.

**GARANTIA DE 5 AÑOS:** CRAFTMADE/ELLINGTON reemplazará o reparará sin costo al comprador original, cualquier motor de ventilador que no funcione de manera satisfactoria a causa de uso normal.

**DEVOLVER EL MOTOR SOLAMENTE,** los gastos de envío prepagados, a Craftmade/Ellington. Nosotros repararemos el motor al comprador o le enviaremos uno de reemplazo y Craftmade/Ellington pagará los gastos de envío de regreso.

**GARANTIA LIMITADA DE 6 AÑOS hasta DE POR VIDA:** CRAFTMADE/ELLINGTON reparará el ventilador, sin costo al comprador original por el coste laboral, si el motor del ventilador no funciona satisfactoriamente a causa del uso normal. Las piezas que se utilizan en hacer la reparación serán facturadas al comprador a los precios prevaletientes en el momento de la reparación.

El comprador original será responsable de todos los gastos incurridos en sacar, reinstalar y enviar el producto para reparación.

Esta garantía no se aplica cuando el ventilador tenga daños por abuso mecánico, físico, eléctrico o por agua resultando en su mal funcionamiento. Se exenta específicamente el deterioro en el acabado u otras partes debido al tiempo o exposición al aire marino bajo esta garantía.

Ni Craftmade/Ellington ni el fabricante se harán responsables por lo que pasa por una instalación inadecuada o el uso impropio de este producto. La compañía no se hará responsable en ningún caso de ningún daño emergente por incumplimiento de esta o cualquier otra garantía expresada o implicada en absoluto. Esta limitación de daños emergentes no se aplicará en estados donde es prohibido.

## Piezas de repuesto.

Para piezas o información, referirse al "Inventario de piezas" en la página 2.

Servicio al Cliente:

**1-800-486-4892**

[www.craftmadebrands.com](http://www.craftmadebrands.com)

**Craftmade**  
CEILING FANS Est. 1985