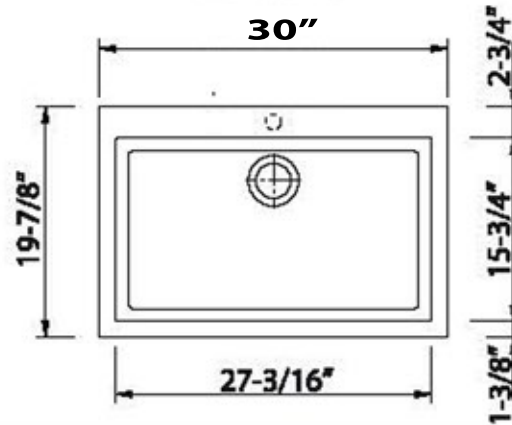


**Granite Composite**  
 Premium Granite Composite  
 Dual-mount Kitchen Sink



MODEL:  
**PR3020-DM-S**



Overall Dimensions	Interior Bowl	Bowl Depth	Height	Drain Dimension
30" x 19.875""	27.1875" x 15.75""	7.875"	8.25"	3.5"

**FEATURES**

- Premium Granite Composite Kitchen Sink
- 80% Stone/20% Resin
- Scratch Resistant/Heat resistant to 560F degrees
- Hygienic non-porous surface
- Drain is not included
- Designed and made in Italy
- Dual-mount design may be topmounted or undermounted
- Limited Manufacturers Warranty



PROJECT/ NAME:

ARCHITECT/CONTRACTOR:

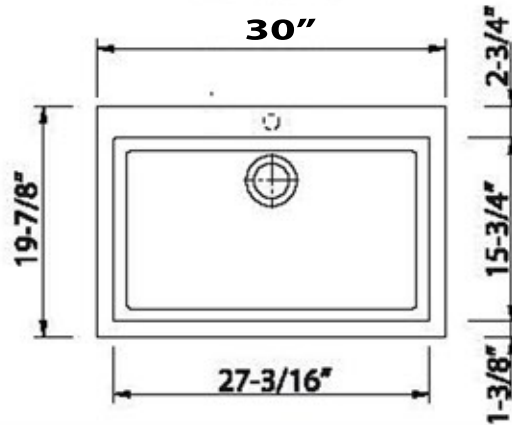
MODEL:

JOB NOTES:

**Granite Composite**  
 Premium Granite Composite  
 Dual-mount Kitchen Sink



MODEL:  
**PR3020-DM-BL**



Overall Dimensions	Interior Bowl	Bowl Depth	Height	Drain Dimension
30" x 19.875""	27.1875" x 15.75""	7.875"	8.25"	3.5"

**FEATURES**

- Premium Granite Composite Kitchen Sink
- 80% Stone/20% Resin
- Scratch Resistant/Heat resistant to 560F degrees
- Hygienic non-porous surface
- Drain is not included
- Designed and made in Italy
- Dual-mount design may be topmounted or undermounted
- Limited Manufacturers Warranty



PROJECT/ NAME:

ARCHITECT/CONTRACTOR:

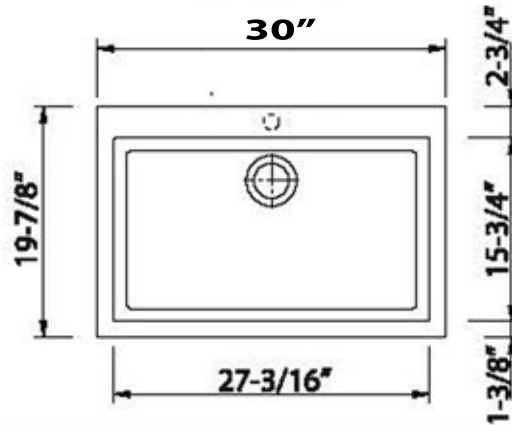
MODEL:

JOB NOTES:

**Granite Composite**  
 Premium Granite Composite  
 Dual-mount Kitchen Sink



MODEL:  
**PR3020-DM-W**



Overall Dimensions	Interior Bowl	Bowl Depth	Height	Drain Dimension
30" x 19.875""	27.1875" x 15.75""	7.875"	8.25"	3.5"

**FEATURES**

- Premium Granite Composite Kitchen Sink
- 80% Stone/20% Resin
- Scratch Resistant/Heat resistant to 560F degrees
- Hygienic non-porous surface
- Drain is not included
- Designed and made in Italy
- Dual-mount design may be topmounted or undermounted
- Limited Manufacturers Warranty



PROJECT/ NAME:

ARCHITECT/CONTRACTOR:

MODEL:

JOB NOTES: