



California Faucets®

**Descanso®**

**SINGLE HOLE LAVATORY FAUCET**

**Features**

- Over 28 finishes including 13 PVD finishes
- All brass construction
- 4-5/8" spout center to center
- Single handle operation cartridge with ceramic disc
- Flexible braided hoses for ease of installation
- Ø 1-1/4" all brass touch style pop up drain assembly
- 1.2 gpm (4.5 L/min) max flow rate

**Codes/Standards**

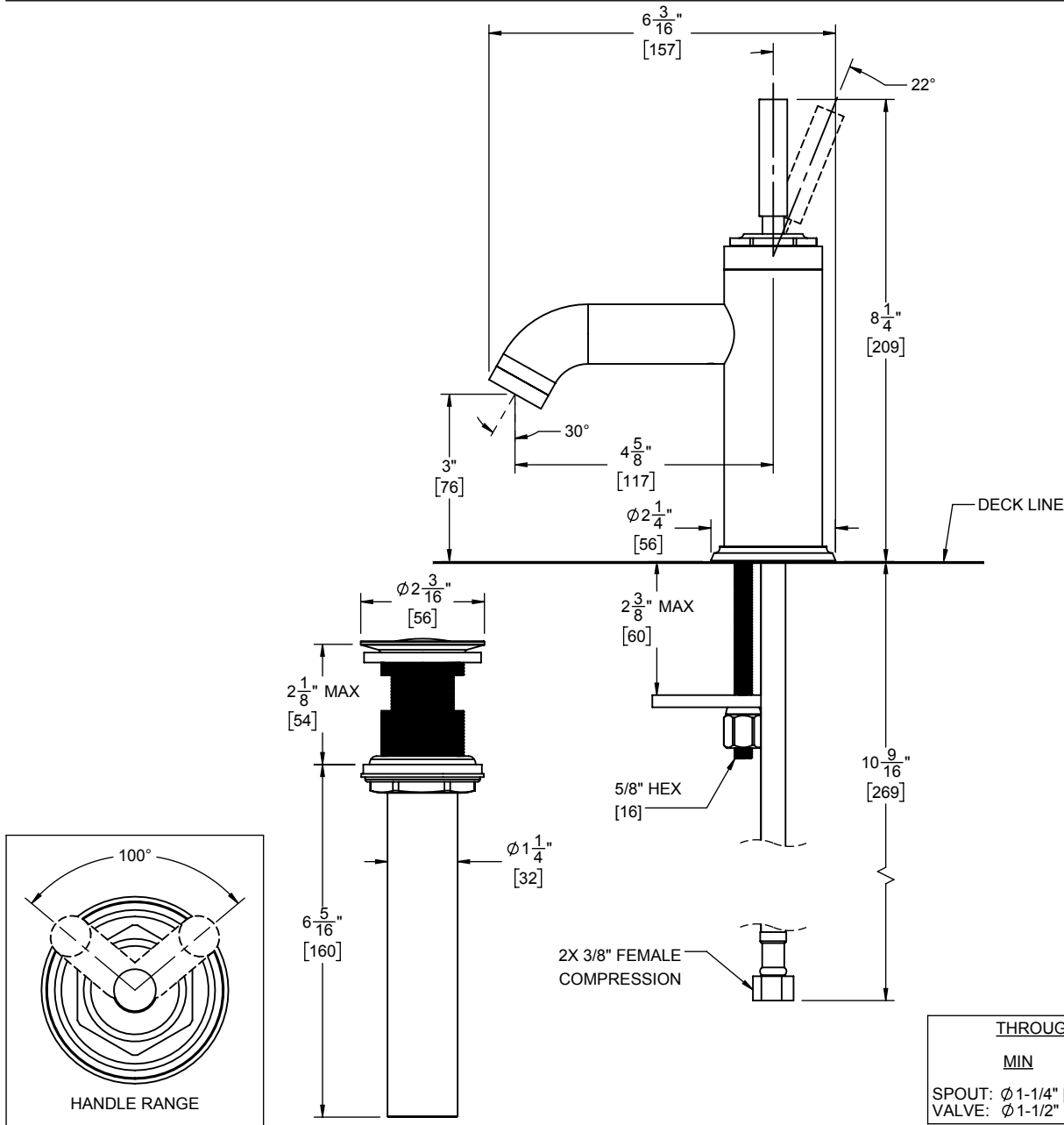
Product meets or exceeds the following:

- ASME A112.18.1/CSA B125.1
- NSF/ANSI 61 & NSF/ANSI 372
- CEC & DOE
- Commonwealth of MA
- EPA WaterSense High Efficiency Lavatory
- ADA compliant

**3001-1**  
**3001K-1**  
**3001F-1**



3001-1K



SPECIFICATIONS SUBJECT TO CHANGE WITHOUT NOTICE