

Home Care Technical Specification

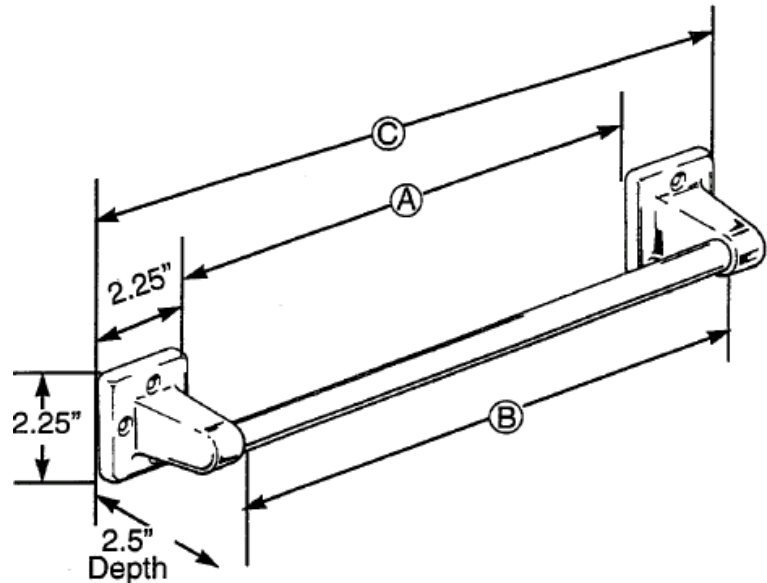
Bath Grip

LR2200

Stock Numbers:

- ❑ LR2250 – 9” Bath Grip
Chrome Finish
Exposed Screw
- ❑ LR2250W – 9” Bath Grip
Glacier Finish
Exposed Screw
- ❑ LR2250SN– 9” Bath Grip
Satin Nickel Finish
Exposed Screw
- ❑ LR2260 – 16” Bath Grip
Chrome Finish
Exposed Screw
- ❑ LR2260W – 16” Bath Grip
Glacier Finish
Exposed Screw
- ❑ LR2260SN– 16” Bath Grip
Satin Nickel Finish
Exposed Screw
- ❑ LR2270CH – 24” Bath Grip
Chrome Finish
Exposed Screw
- ❑ LR2270W– 24” Bath Grip
Glacier Finish
Exposed Screw

Dimensions:



	A	B	C
LR2250	6.5"	7.75"	11"
LR2260	13.5"	14.75"	18"
LR2270	21.5"	22.75"	26"

Materials:

The **bar** is made from Stainless Steel and the **posts** are Zinc.

Installation Instructions:

1. Locate stud
 2. Position assembled unit on wall in desired location
 3. Mark starter holes
 4. Drill (6) 1/8 inch diameter holes
 5. Mount assembled unit on wall using 2" screws (provided)
- Note: Wood blocking is preferable behind all wall surfaces

Stock Number: _____ Bath Grip
By Creative Specialties



25300 AL MOEN DRIVE • NORTH OLMSTED, OH 44070
CORPORATE HEADQUARTERS: (800) 321-8809 • FAX: (800) 848-6636
INTERNATIONAL: (440) 962-2000 • FAX: (440) 962-2726
CUSTOMER SERVICE (USA): 800-882-0116 • FAX: (888) 379-2720
WWW.MOEN.COM

©Copyright Creative Specialties International

Literature #BA1680