



Buy it for looks. Buy it for life.®

# Specifications

Model Number	Faucet Holes	Depth-Inches	Drain Placement	ADA Compliant
G202153	3	7"	Center	
G202154	4	7"	Center	
G202131	1	8"	Center	
G202133 (pictured)	3	8"	Center	
G202134	4	8"	Center	
G202134B	4	8"	Rear (Center)	
G202334	4	L: 9", R: 7"	Center	
G202173B	3	5-1/2"	Rear (Center)	♿
G202174B	4	5-1/2"	Rear (Center)	♿



## SINK DESCRIPTION

- 2000 Series double bowl drop-in sink
- 20 gauge stainless steel, brushed finish
- U-channel mounting system, hardware included
- SoundSHIELD™ sound absorbing system

## WARRANTY

- Lifetime limited warranty to the original homeowner
- 10 year limited warranty when used in a Multi-family installation
- 5 year limited warranty when used in a Commercial installation
- Visit [www.moen.com/customer-support/warranty](http://www.moen.com/customer-support/warranty) for complete details and limitations

## SINK DIMENSIONS

- Overall: 33" x 22"
- Left Bowl: 14" x 16"
- Right Bowl: 14" x 16"
- Drain Size: 3-5/8"

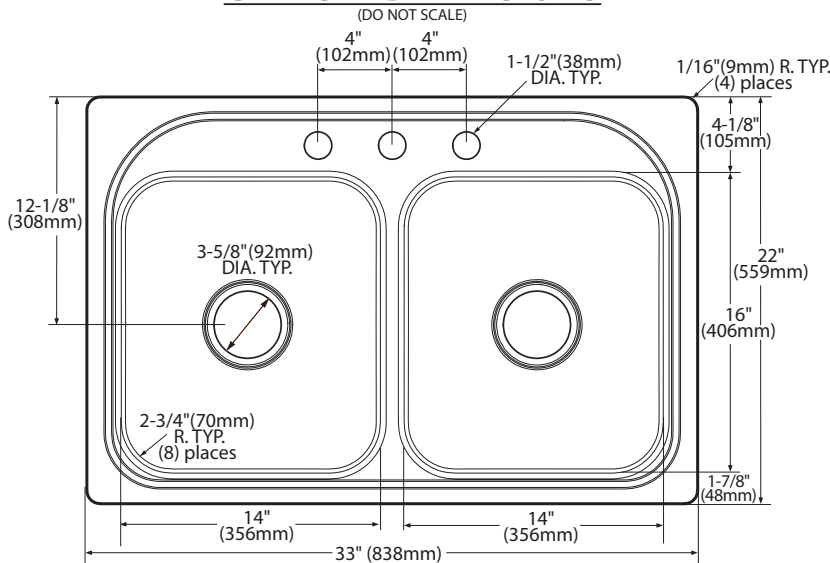
## CUT OUT DIMENSIONS

- 32-1/2" x 21-1/2" with 3/8" corner radius, tolerance of plus or minus 1/16" is acceptable

## STANDARDS

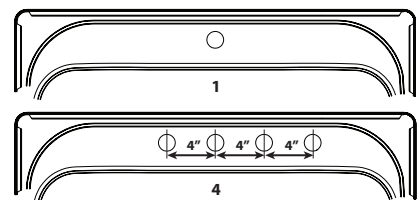
- Third party certified to meet ASME A112.19.3/CSA B45.4 and all applicable specifications referenced therein

## CRITICAL DIMENSIONS

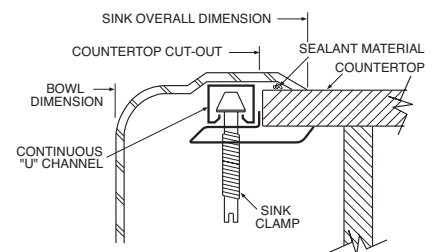


## Faucet Hole Configurations

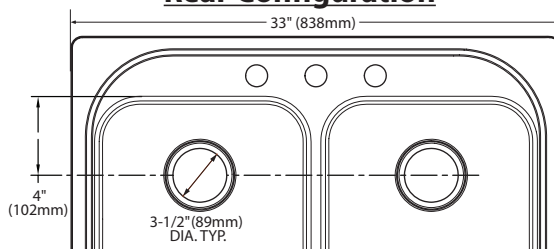
1-1/2" (38mm) diameter faucet holes  
4" (102mm) Center



## Installation Detail



## Rear Configuration



MADE IN THE USA



Buy it for looks. Buy it for life.®

# Specifications



Model Number	Faucet Holes	Depth-Inches	Drain Placement	ADA/FHA Compliant*
G202153BQ	3	7"	Rear	ADA/FHA
G202154BQ	4	7"	Rear	ADA/FHA
G202131Q	1	8"	Center	No
G202133Q (pictured)	3	8"	Center	No
G202134Q	4	8"	Center	No
G202134BQ	4	8"	Rear	No
G202334Q	4	L: 9", R: 7"	Center	No
G202173BQ	3	5-1/2"	Rear	ADA/FHA
G202174BQ	4	5-1/2"	Rear	ADA/FHA

### SINK DESCRIPTION

- 2000 Series single bowl drop-in sink
- 20 gauge stainless steel, brushed finish
- U-channel mounting system, hardware included
- QuickMount™ installation included
- SoundSHIELD™ sound absorbing system

### WARRANTY

- Lifetime limited warranty to the original homeowner
- 10 year limited warranty when used in a Multi-family installation
- 5 year limited warranty when used in a Commercial installation
- Visit [www.moen.com/customer-support/warranty](http://www.moen.com/customer-support/warranty) for complete details and limitations

### SINK DIMENSIONS

- Overall: 33" x 22"
- Left Bowl: 14" x 16"
- Right Bowl: 14" x 16"
- Drain Size: 3-5/8"

### CUT OUT DIMENSIONS

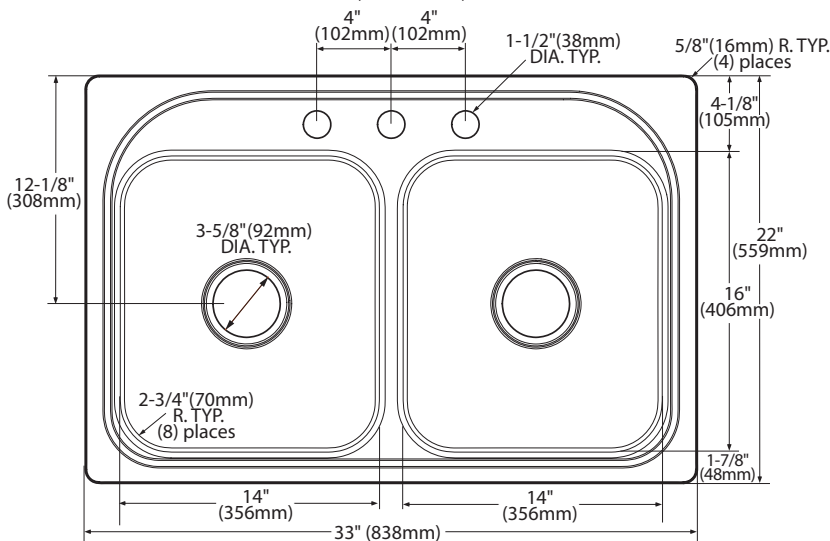
- 32-1/2" x 21-1/2" with 7/8" corner radius, tolerance of plus or minus 1/16" is acceptable

### STANDARDS

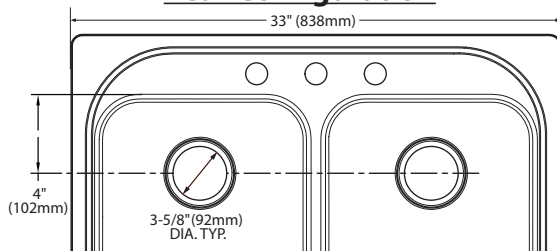
- Third party certified to meet ASME A112.19.3/CSA B45.4 and all applicable specifications referenced therein
- \*ADA/FHA Sink compliant to ADA (ICC A117.1) and FHA accessibility specifications when installed to these required standards. Always consult with your local building department for the specific installation requirements.

### CRITICAL DIMENSIONS

(DO NOT SCALE)

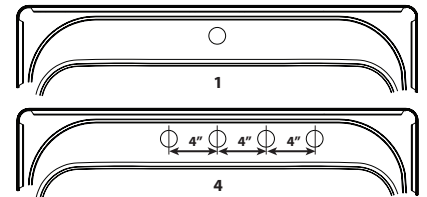


### Rear Configuration

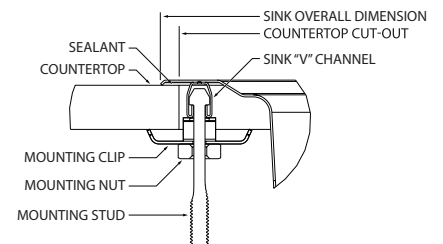


### Faucet Hole Configurations

1-1/2" (38mm) diameter faucet holes  
4" (102mm) Center



### Installation Detail



MADE IN THE USA

FOR MORE INFORMATION CALL: 1-800-BUY-MOEN

[www.moen.com](http://www.moen.com)