



Buy it for looks. Buy it for life.®

Specifications

Model Number	Faucet Holes	Depth-Inches	Drain Placement	ADA Compliant
G202153	3	7"	Center	
G202154	4	7"	Center	
G202131	1	8"	Center	
G202133 (pictured)	3	8"	Center	
G202134	4	8"	Center	
G202134B	4	8"	Rear (Center)	
G202334	4	L: 9", R: 7"	Center	
G202173B	3	5-1/2"	Rear (Center)	♿
G202174B	4	5-1/2"	Rear (Center)	♿



SINK DESCRIPTION

- 2000 Series double bowl drop-in sink
- 20 gauge stainless steel, brushed finish
- U-channel mounting system, hardware included
- SoundSHIELD™ sound absorbing system

WARRANTY

- Lifetime limited warranty to the original homeowner
- 10 year limited warranty when used in a Multi-family installation
- 5 year limited warranty when used in a Commercial installation
- Visit www.moen.com/customer-support/warranty for complete details and limitations

SINK DIMENSIONS

- Overall: 33" x 22"
- Left Bowl: 14" x 16"
- Right Bowl: 14" x 16"
- Drain Size: 3-5/8"

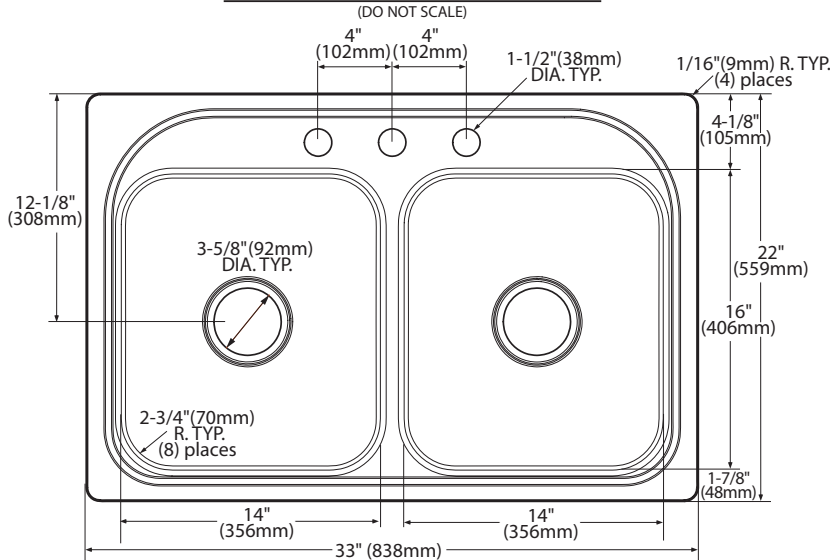
CUT OUT DIMENSIONS

- 32-1/2" x 21-1/2" with 3/8" corner radius, tolerance of plus or minus 1/16" is acceptable

STANDARDS

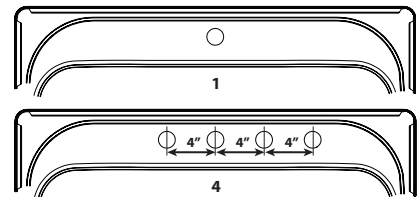
- Third party certified to meet ASME A112.19.3/CSA B45.4 and all applicable specifications referenced therein

CRITICAL DIMENSIONS

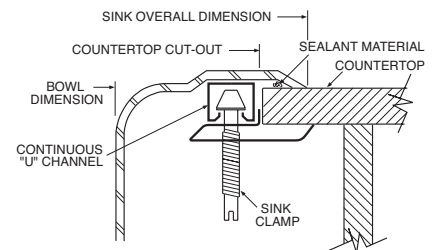


Faucet Hole Configurations

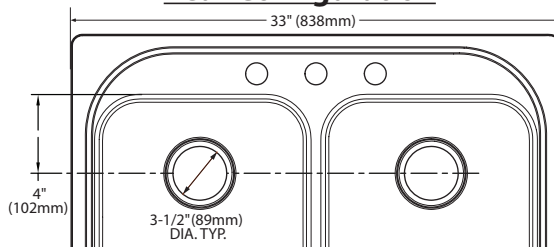
1-1/2" (38mm) diameter faucet holes
4" (102mm) Center



Installation Detail



Rear Configuration



MADE IN THE USA



Buy it for looks. Buy it for life.®

Specifications



Model Number	Faucet Holes	Depth-Inches	Drain Placement	ADA/FHA Compliant*
G202153BQ	3	7"	Rear	ADA/FHA
G202154BQ	4	7"	Rear	ADA/FHA
G202131Q	1	8"	Center	No
G202133Q (pictured)	3	8"	Center	No
G202134Q	4	8"	Center	No
G202134BQ	4	8"	Rear	No
G202334Q	4	L: 9", R: 7"	Center	No
G202173BQ	3	5-1/2"	Rear	ADA/FHA
G202174BQ	4	5-1/2"	Rear	ADA/FHA

SINK DESCRIPTION

- 2000 Series single bowl drop-in sink
- 20 gauge stainless steel, brushed finish
- U-channel mounting system, hardware included
- QuickMount™ installation included
- SoundSHIELD™ sound absorbing system

WARRANTY

- Lifetime limited warranty to the original homeowner
- 10 year limited warranty when used in a Multi-family installation
- 5 year limited warranty when used in a Commercial installation
- Visit www.moen.com/customer-support/warranty for complete details and limitations

SINK DIMENSIONS

- Overall: 33" x 22"
- Left Bowl: 14" x 16"
- Right Bowl: 14" x 16"
- Drain Size: 3-5/8"

CUT OUT DIMENSIONS

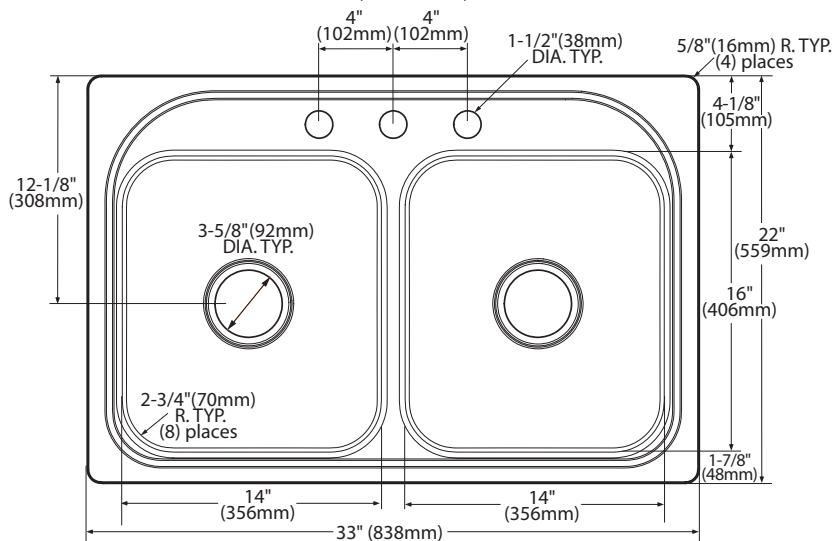
- 32-1/2" x 21-1/2" with 7/8" corner radius, tolerance of plus or minus 1/16" is acceptable

STANDARDS

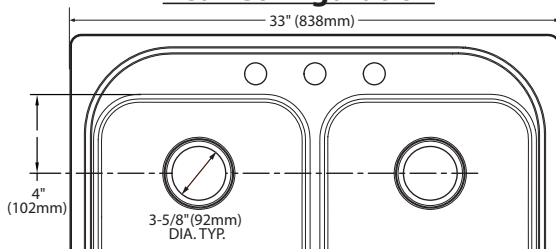
- Third party certified to meet ASME A112.19.3/CSA B45.4 and all applicable specifications referenced therein
- *ADA/FHA Sink compliant to ADA (ICC A117.1) and FHA accessibility specifications when installed to these required standards. Always consult with your local building department for the specific installation requirements.

CRITICAL DIMENSIONS

(DO NOT SCALE)

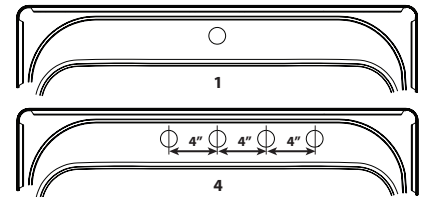


Rear Configuration

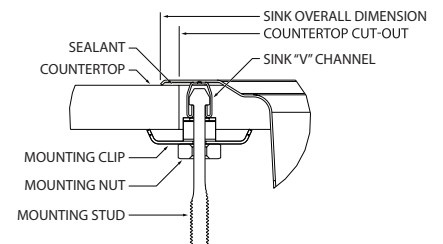


Faucet Hole Configurations

1-1/2" (38mm) diameter faucet holes
4" (102mm) Center



Installation Detail



MADE IN THE USA