

Model Number	Faucet Holes	Depth-Inches	Drain Placement	ADA/FHA Compliant*
G20160B	N/A	6-1/2"	Rear	Yes



SINK DESCRIPTION

- 2000 Series single bowl undermount sink
- 20 gauge stainless steel, matte bowl finish
- Mounting brackets included, no other hardware included
- SoundSHIELD™ sound absorbing system

WARRANTY

- Lifetime limited warranty to the original homeowner
- 10 year limited warranty when used in a Multi-family installation
- 5 year limited warranty when used in a Commercial installation
- Visit www.moen.com/customer-support/warranty for complete details and limitations

SINK DIMENSIONS

- Overall: 20" x 20"
- Bowl: 18" x 18"
- Drain Size: 3-5/8"

CUT OUT DIMENSIONS

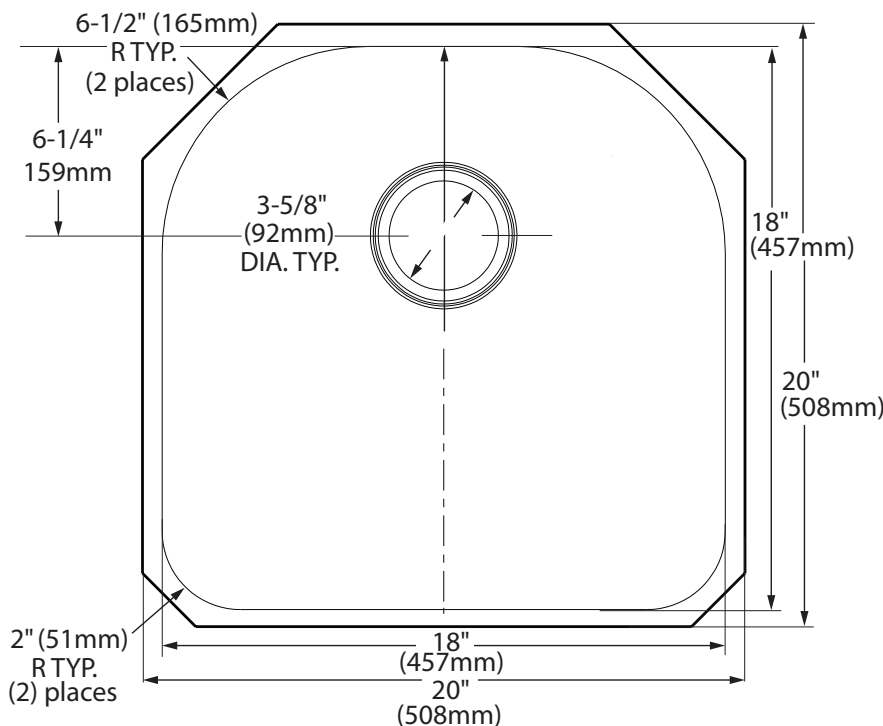
- Cut out template included
- Template ordering number 22510

STANDARDS

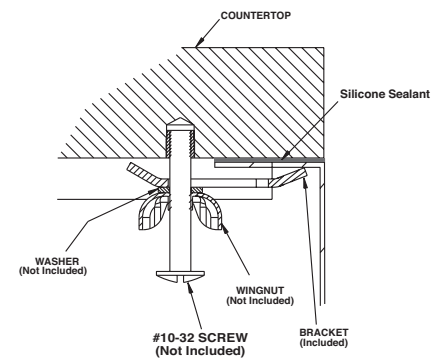
- Third party certified to meet ASME A112.19.3/CSA B45.4 and all applicable specifications referenced therein
- *ADA/FHA Sink compliant to ADA (ICC A117.1) and FHA accessibility specifications when installed to these required standards. Always consult with your local building department for the specific installation requirements.

CRITICAL DIMENSIONS

(DO NOT SCALE)



Installation Detail



MADE IN THE USA