



Buy it for looks. Buy it for life.®

Specifications

SINK DESCRIPTION

- 1800 Series double bowl undermount sink
- 18 gauge stainless steel, Brushed finish
- Center drain location with low profile divider
- Mounting brackets included, other standard mounting hardware and silicone sealant not included
- SoundSHIELD sound absorbing system

CUT OUT DIMENSIONS

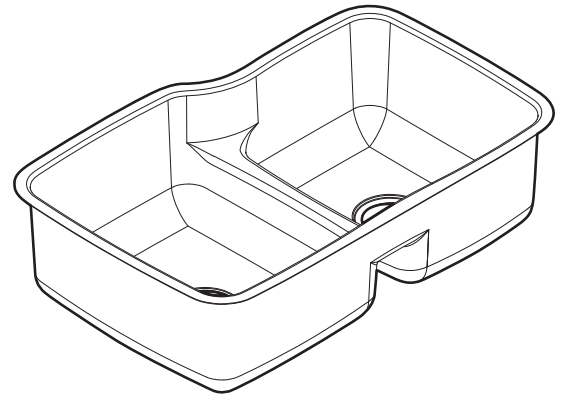
- Cut out template available to download at moen.com
- Template included - template number 22527

STANDARDS

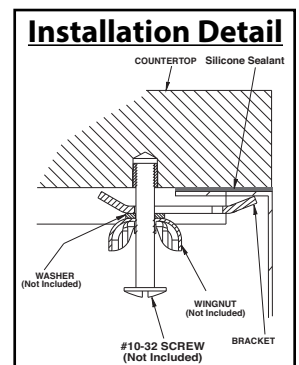
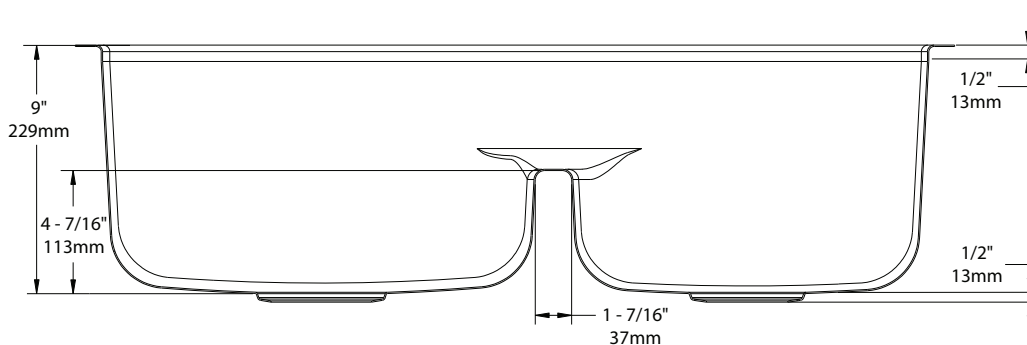
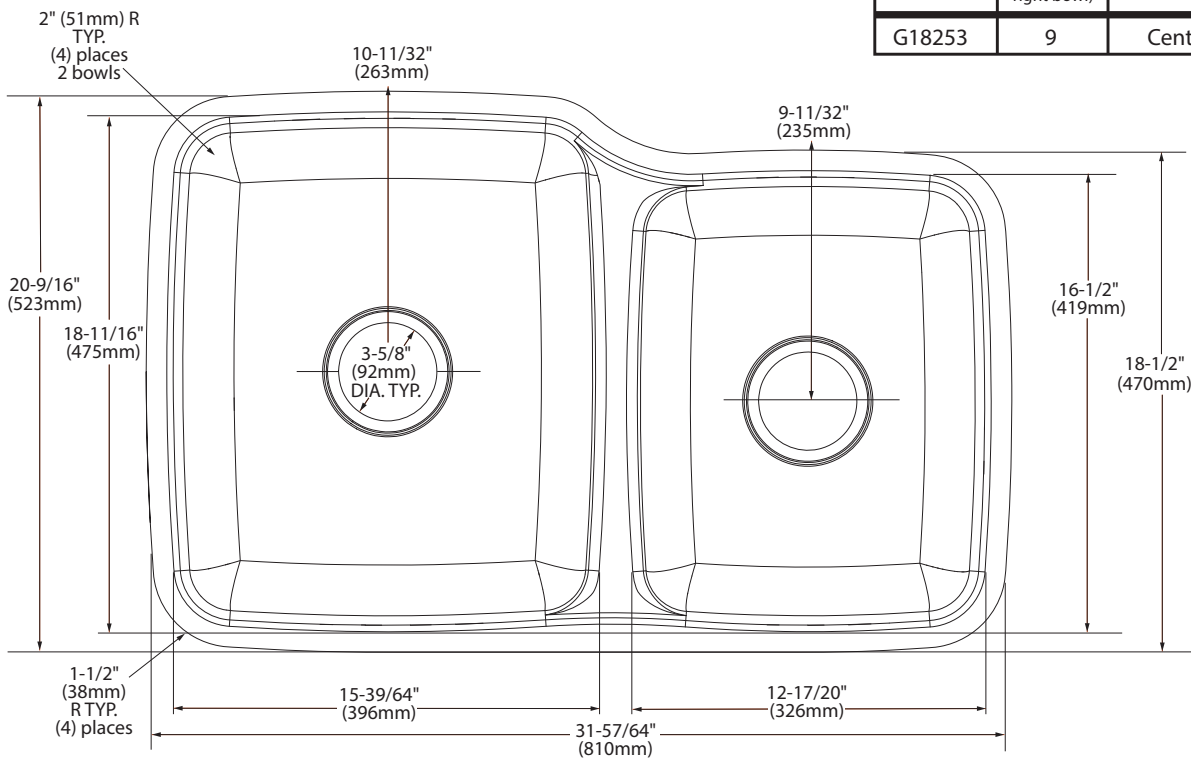
- Third party certified by IAPMO to meet ASME A112.19.3 and all applicable specifications referenced therein

WARRANTY

- Limited lifetime warranty against material or manufacturing defects to the original consumer purchaser



Model Number	Depth-Inches (left bowl, right bowl)	Drain Placement	Model Specified
G18253	9	Center	



CRITICAL DIMENSIONS

(DO NOT SCALE)

FOR MORE INFORMATION CALL: 1-800-BUY-MOEN

www.moen.com