



Buy it for looks. Buy it for life.®

Specifications

Model Number	Faucet Holes	Depth-Inches	Drain Placement	ADA/FHA Compatible
G18190	N/A	10"	Center	No
G18191	N/A	8"	Center	No
G18192 (pictured)	N/A	7"	Center	No
G18192B	N/A	7"	Rear (Center)	FHA
G18192L	N/A	7"	Rear (Left)	FHA
G18195	N/A	5-1/2"	Rear (Center)	ADA/FHA
G18195L	N/A	5-1/2"	Rear (Left)	ADA/FHA



SINK DESCRIPTION

- 1800 Series single bowl undermount sink
- 18 gauge stainless steel, brushed finish
- Mounting brackets included, no other hardware included
- SoundSHIELD™ sound absorbing system

WARRANTY

- Lifetime limited warranty to the original homeowner
- 10 year limited warranty when used in a Multi-family installation
- 5 year limited warranty when used in a Commercial installation
- Visit www.moen.com/customer-support/warranty for complete details and limitations

SINK DIMENSIONS

- Overall: 23" x 18"
- Bowl: 21" x 16"
- Drain Size: 3-5/8"

CUT OUT DIMENSIONS

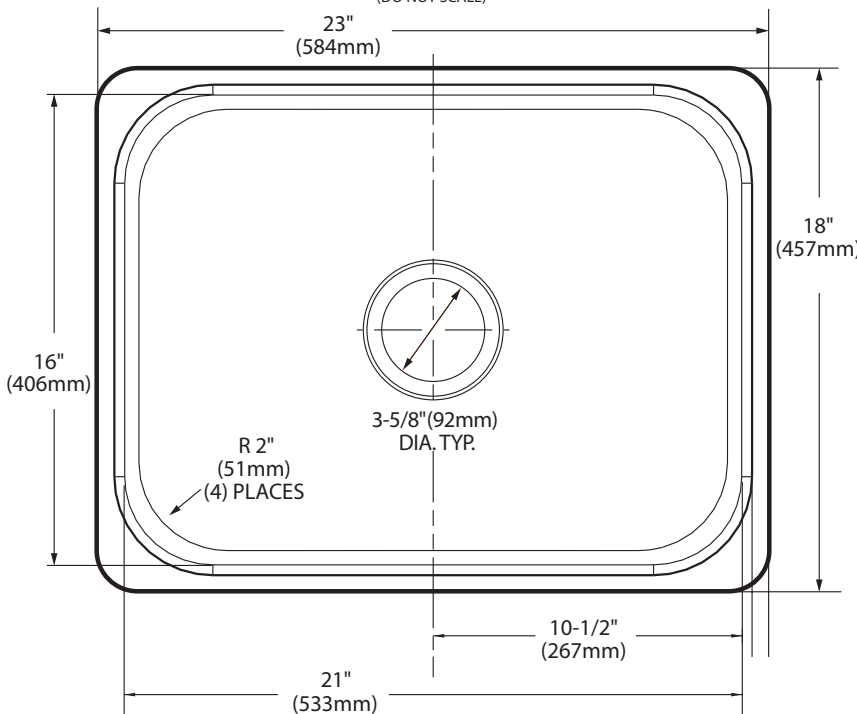
- Cut out template included
- Template ordering number 22507

STANDARDS

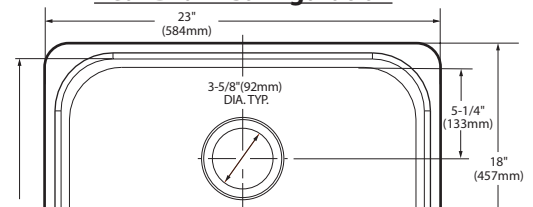
- Third party certified to meet ASME A112.19.3/CSA B45.4 and all applicable specifications referenced therein
- **ADA/FHA** Sink compliant to ADA (ICC A117.1) and FHA accessibility specifications when installed to these required standards. Always consult with your local building department for the specific installation requirements
- **FHA** Sink compliant to FHA accessibility specifications when installed to these required standards. Always consult with your local building department for the specific installation requirements

CRITICAL DIMENSIONS

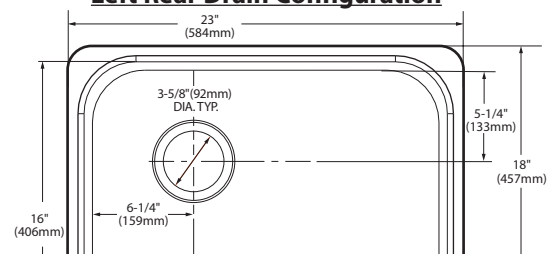
(DO NOT SCALE)



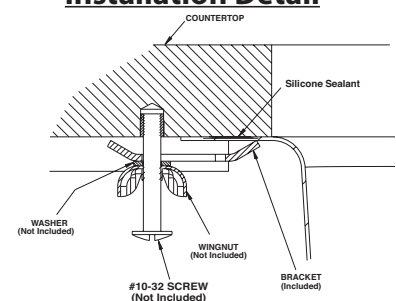
Rear Drain Configuration



Left Rear Drain Configuration



Installation Detail



MADE IN THE USA

FOR MORE INFORMATION CALL: 1-800-BUY-MOEN

www.moen.com