



Buy it for looks. Buy it for life.®

# Specifications



Model Number	Faucet Holes	Depth-Inches	Drain Placement
G181631Q	1	7"	Rear (Center)

## SINK DESCRIPTION

- 1800 Series single bowl drop in sink
- 18 gauge stainless steel, brushed finish
- U-channel mounting system
- QuickMount™ installation hardware included
- SoundSHIELD™ sound absorbing system

## WARRANTY

- Lifetime limited warranty to the original homeowner
- 10 year limited warranty when used in a Multi-family installation
- 5 year limited warranty when used in a Commercial installation
- Visit [www.moen.com/customer-support/warranty](http://www.moen.com/customer-support/warranty) for complete details and limitations

## SINK DIMENSIONS

- Overall: 33" x 22"
- Bowl: 29-1/4" x 16-1/16"
- Drain Size: 3-5/8"

## CUT OUT DIMENSIONS

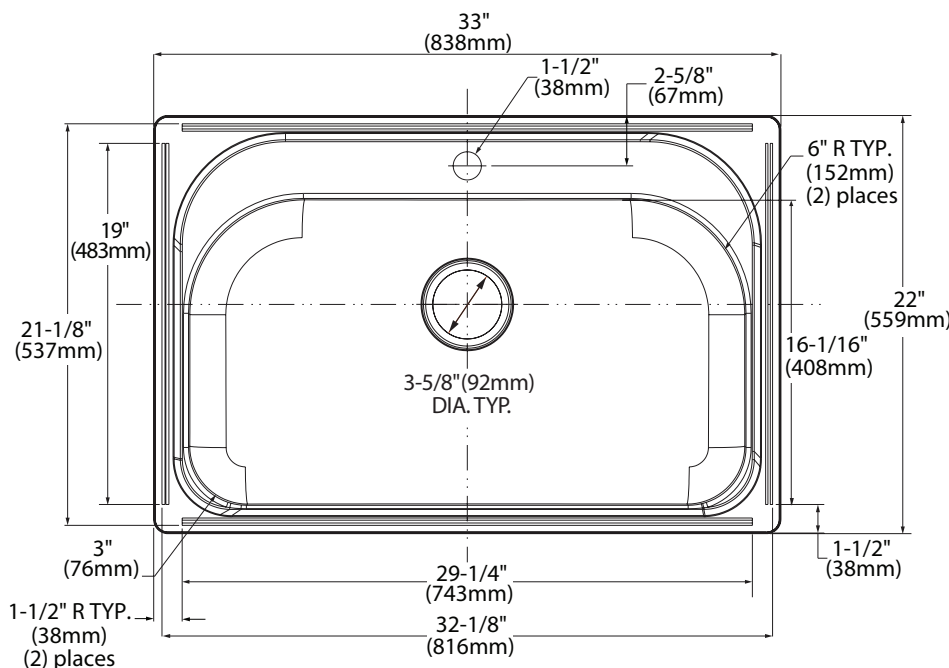
- 32-1/2" x 21-1/2" with 3/8" corner radius. Tolerance of plus or minus 1/16" is acceptable

## STANDARDS

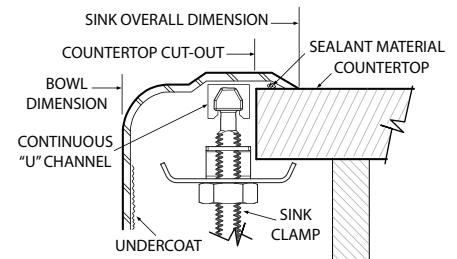
- Third party certified to meet ASME A112.19.3/CSA B45.4 and all applicable specifications referenced therein

## CRITICAL DIMENSIONS

(DO NOT SCALE)



## Installation Detail



MADE IN THE USA