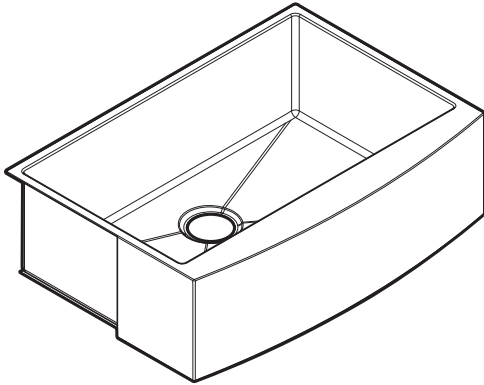




Buy it for looks. Buy it for life.®

Specifications



Model Number	Depth-Inches	Drain Placement	Model Specified
G18121	9	Rear	

SINK DESCRIPTION

- 1800 Series single bowl Apron front undermount sink
- 18 gauge stainless steel
- Rear drain location
- Mounting brackets included, other standard mounting hardware and silicone sealant not included
- SoundSHIELD sound absorbing system

CUT OUT DIMENSIONS

- Cut out template available to download at moen.com
- Template number 22512

STANDARDS

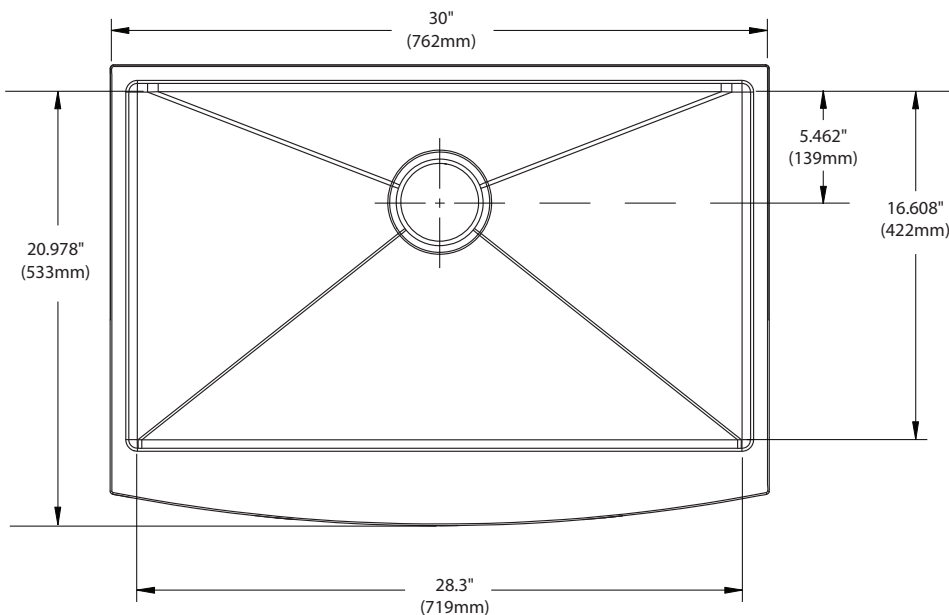
- Third party certified by IAPMO to meet ASME A112.19.3/CSA B45.4 and all applicable specifications referenced

WARRANTY

- Limited lifetime warranty against material or manufacturing defects to the original consumer purchaser

CRITICAL DIMENSIONS

(DO NOT SCALE)



Installation Detail

