

Marchio / Brand ZUCCHETTI

Classe / Class ACCESSORI

## AGORÀ

ZAD450

Appendiabito doppio / Double hook



Appendiabito doppio

Double hook

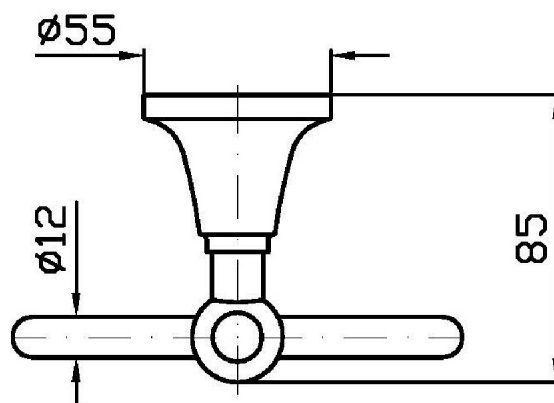
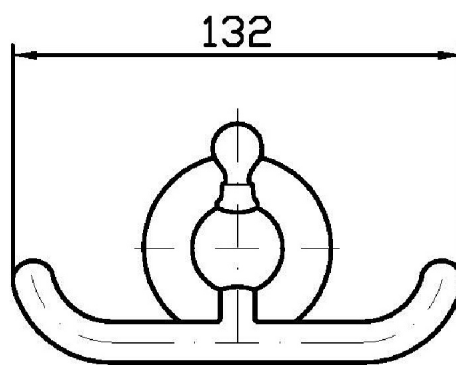
### Finiture / Finishes

			
Cromo / Chrome	Nickel Lucido / Polished Nickel	Gold / Gold	Brushed Gold / Brushed Gold
	C8	C40	C41

## AGORÀ

ZAD450

Disegno Complessivo / Overall Drawing



Marchio / Brand ZUCCHETTI

Classe / Class ACCESSORI

## AGORÀ

### ZAD450 Pesì e Misure / Weights and Sizes

Peso ( Kg ) Weight ( lb )	0,53 ( Kg )	1,168438 ( lb )
Volume ( dc3 ) - ( in3 )	1,21 ( dc3 )	0,000074 ( in3 )
h ( mm ) - ( in )	73 ( mm )	2,8740173 ( in )
L1 ( mm ) - ( in )	127 ( mm )	5,0000027 ( in )
L2 ( mm ) - ( in )	130 ( mm )	5,118113 ( in )

