

FAUCET DESCRIPTION

- Brass construction with chrome plated finish
- 4" centerset
- 1/2" IPS connections
- Vandal resistant aerator

OPERATION

- 4" wrist blade handles with hot and cold color indicators*
- *Smooth handle models have hot and cold color indicator at torx head screw
- Vandal resistant torx head screws

FLOW

- Water usage is limited to these maximum flow rates as indicated by the corresponding product markings
 - 1.2 gpm max (4.5L/min) at 60 psi

CARTRIDGE

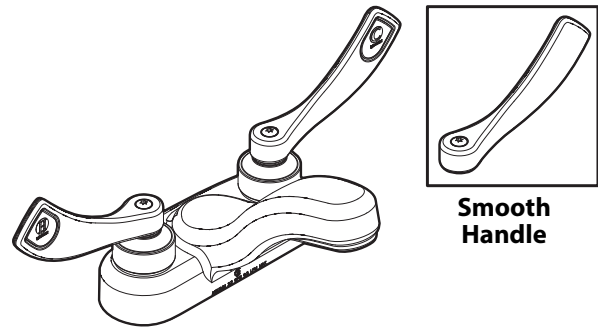
- Brass shell, ceramic disc cartridge
- 1/4 turn operation

STANDARDS

- Third party certified to WaterSense®, ASME A112.18.1/CSA B125.1 and all applicable requirements referenced therein
- Certified to NSF 61/9 & 372
- Products marked with 1.2 gpm are compliant with California water efficiency regulations
- Complies with California Proposition 65 and with the Federal Safe Drinking
- **ADA** for lever handles

WARRANTY

- Warranted for five years against material or manufacturing defects

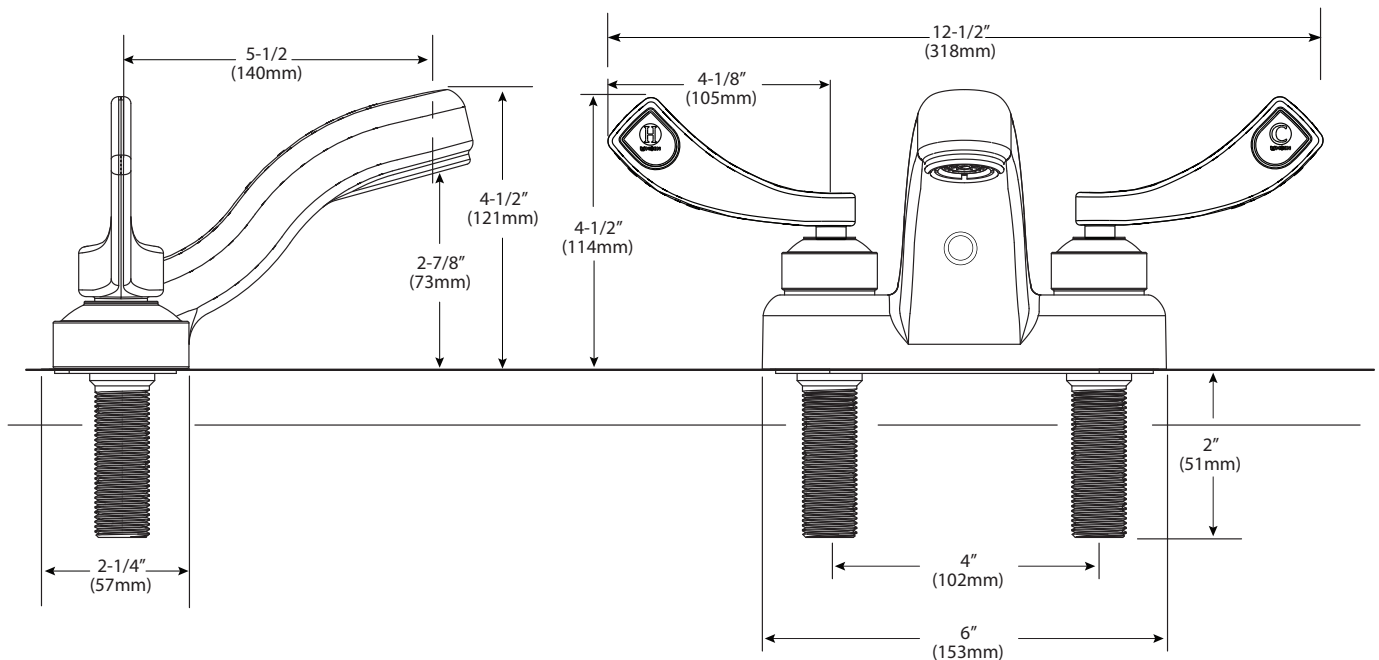


Smooth Handle

Two-Handle Lavatory Faucet				
MODEL	FLOW (gpm/Lpm)	DRAIN	HANDLE STYLE	WATERSENSE CERTIFIED
8215F12	1.2/4.5	Without	Decal	X
8215SMF12	1.2/4.5	Without	Smooth	X



NOTE: Designed to be installed through 2 holes - 1" (25mm) min. dia.



CRITICAL DIMENSIONS

(DO NOT SCALE)

FAUCET DESCRIPTION

- Brass construction with chrome plated finish
- 4" centerset
- 1/2" IPS connections
- Vandal resistant aerator

OPERATION

- 4" wrist blade handles with hot and cold color indicators*
- *Smooth handle models have hot and cold color indicator at torx head screw
- Vandal resistant torx head screws

CARTRIDGE

- Brass shell, ceramic disc cartridge
- 1/4 turn operation

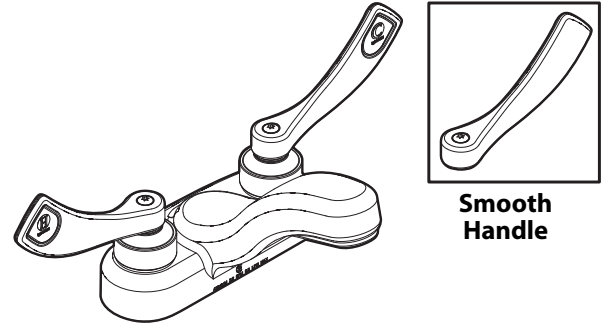
STANDARDS

- Third party certified to WaterSense® (only applies to 1.5 gpm), ASME A112.18.1/CSA B125.1, and all applicable requirements referenced therein including NSF 61/9
- Contains no more than 0.25% weighted average lead content
- Complies with California Proposition 65 and with the Federal Safe Drinking Water Act

- ADA for lever handle

WARRANTY

- Warranted for five years against material or manufacturing defects

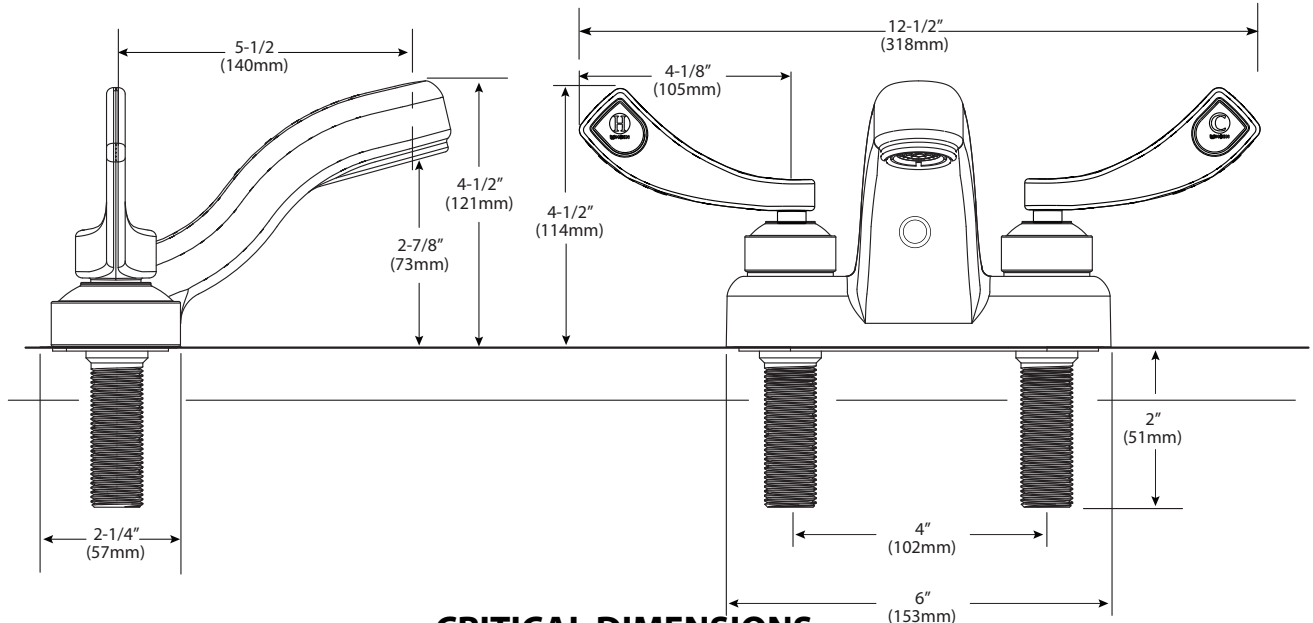


Two-Handle Lavatory Faucet				
MODEL	FLOW (gpm/Lpm)	DRAIN	HANDLE STYLE	WATERSENSE CERTIFIED
8215	2.2/8.3	Without	Decal	
8215F15	1.5/5.7	Without	Decal	X
8215F05	0.5/1.9	Without	Decal	
8215F03	0.35/1.3	Without	Decal	
8215SM	2.2/8.3	Without	Smooth	
8215SMF15	1.5/5.7	Without	Smooth	X
8219	2.2/8.3	Metal	Decal	
8209	1.5/5.7	Without; With Chainstay	Decal	X



See table above

NOTE: Designed to be installed through 2 holes - 1" (25mm) min. dia.



CRITICAL DIMENSIONS

(DO NOT SCALE)