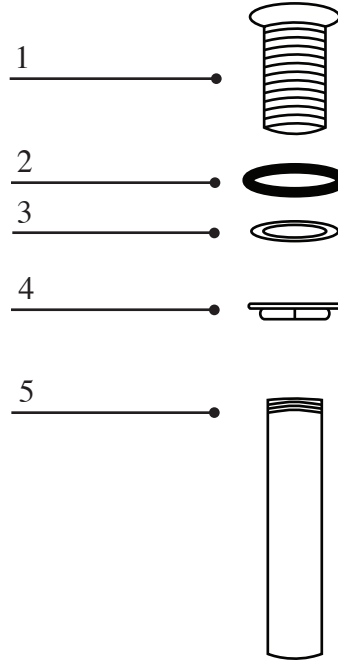


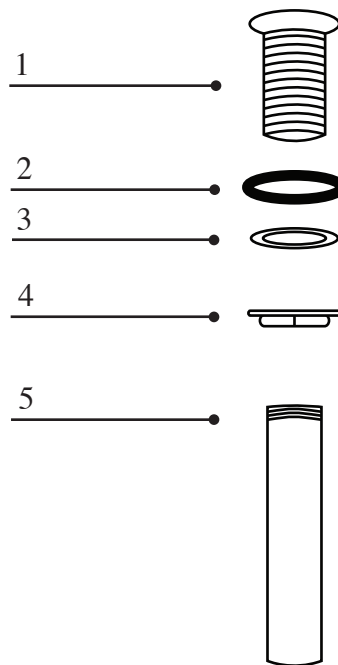
1. Separate all mounting hardware as shown.
2. Apply 100% Silicone (non-water based) to underside of flange(1) and place directly into drain opening of the sink.
3. From underneath the sink slide the Rubber Gasket (2), the Retaining Washer (3), and the Lock Nut (4) onto the Threaded Seat (1) and tighten into position.
4. Wrap the threads on the Tailpipe (5) with Teflon Tape.
5. Install Tail Pipe (5) into the bottom of Seat (1)

Remove all excess silicone around the drain after the drain has been installed



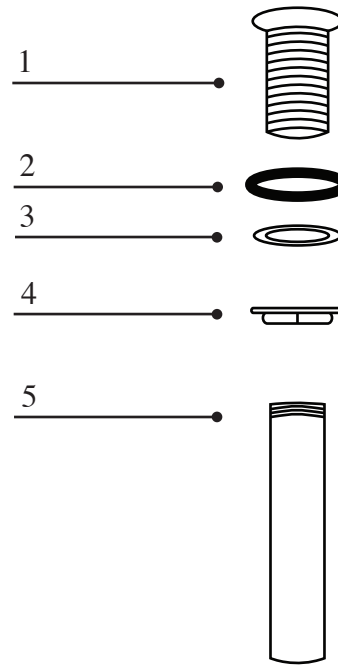
1. Separate all mounting hardware as shown.
2. Apply 100% Silicone (non-water based) to underside of flange(1) and place directly into drain opening of the sink.
3. From underneath the sink slide the Rubber Gasket (2), the Retaining Washer (3), and the Lock Nut (4) onto the Threaded Seat (1) and tighten into position.
4. Wrap the threads on the Tailpipe (5) with Teflon Tape.
5. Install Tail Pipe (5) into the bottom of Seat (1)

Remove all excess silicone around the drain after the drain has been installed



1. Separate all mounting hardware as shown.
2. Apply 100% Silicone (non-water based) to underside of flange(1) and place directly into drain opening of the sink.
3. From underneath the sink slide the Rubber Gasket (2), the Retaining Washer (3), and the Lock Nut (4) onto the Threaded Seat (1) and tighten into position.
4. Wrap the threads on the Tailpipe (5) with Teflon Tape.
5. Install Tail Pipe (5) into the bottom of Seat (1)

Remove all excess silicone around the drain after the drain has been installed



1. Separate all mounting hardware as shown.
2. Apply 100% Silicone (non-water based) to underside of flange(1) and place directly into drain opening of the sink.
3. From underneath the sink slide the Rubber Gasket (2), the Retaining Washer (3), and the Lock Nut (4) onto the Threaded Seat (1) and tighten into position.
4. Wrap the threads on the Tailpipe (5) with Teflon Tape.
5. Install Tail Pipe (5) into the bottom of Seat (1)

Remove all excess silicone around the drain after the drain has been installed