



California Faucets®

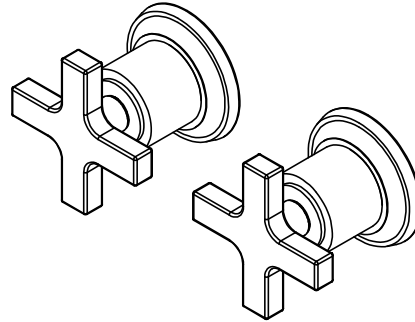
Rincon Bay™

2 HANDLE TUB AND SHOWER TRIM

TO-4506XL

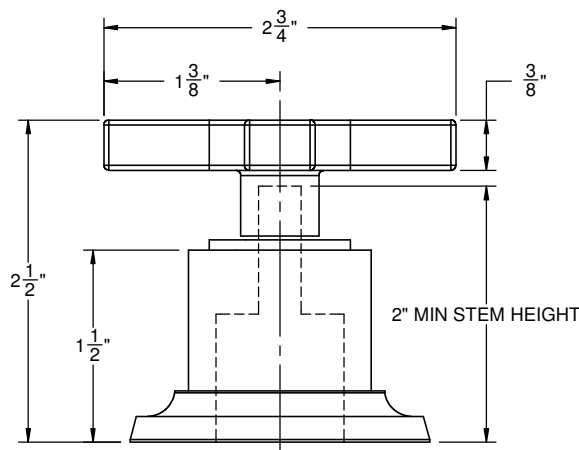
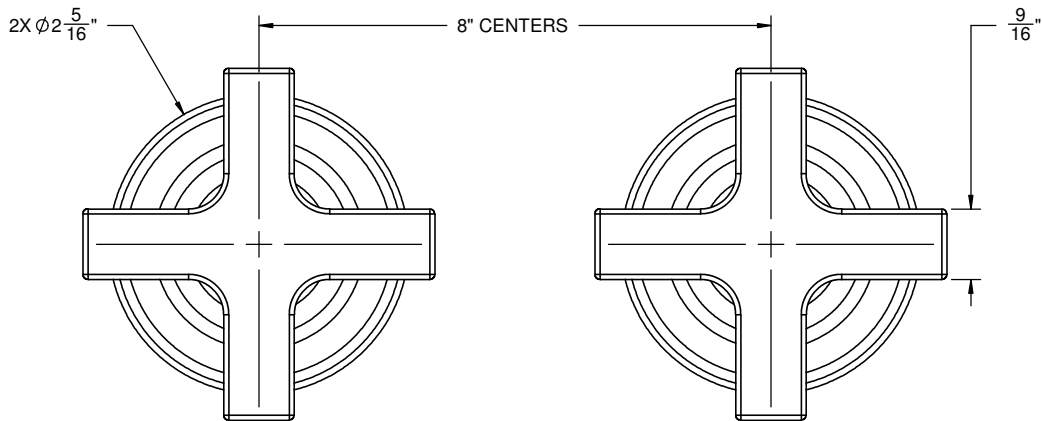
Features

- Solid brass construction
- Less head, arm, flange and spout
- Requires rough-in (2-VR) sold separately
- Over 30 finishes including 15 PVD finishes



Codes/Standards

- Product meets or exceeds the following:
- ASME A112.18.1/CSA B125.1



THRU HOLE SPECIFICATIONS

MIN	RECOMMENDED	MAX
VALVE: Ø1-1/8"	Ø1-3/8"	Ø1-5/8"