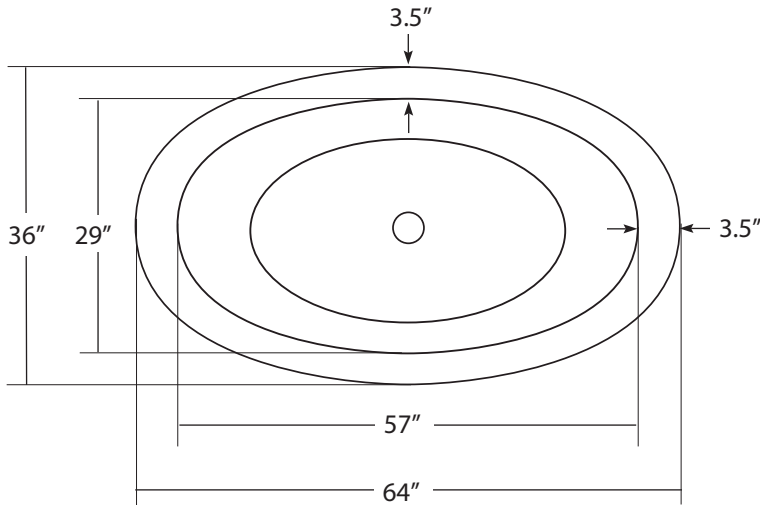


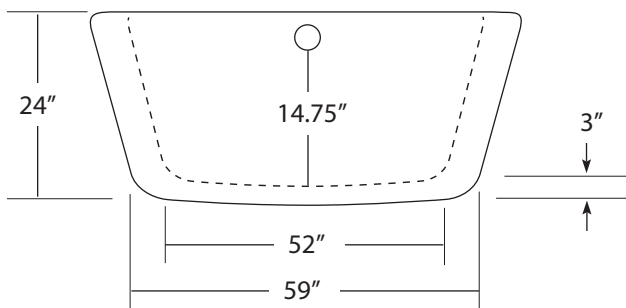
SPECIFICATIONS FOR
ASPEN



CPS802- Antique
CPS805- Brushed Nickel

PRODUCT DETAILS

- * 64" x 36" x 24" OD
- * 57" x 29" x 21" ID
- * Hand hammered 16 gauge recycled copper
- * 2" drain opening
- * Dimensions are not exact and may vary $\pm 1/2"$



INSTALLATION

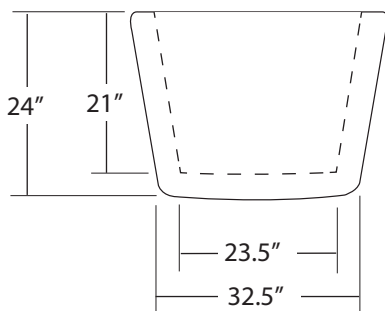
- * Freestanding bathtub

COORDINATING PRODUCTS

- * Trip Lever Bath Waste & Overflow: DR300

STANDARDS COMPLIANCE

- * IAPMO Listed / cUPC



IMPORTANT

Due to the handcrafted nature of this product, it will vary in finish, texture, hammering, and other details. Dimensions may vary up to 1/2". We strongly recommend that you wait for the actual product before making any installation cuts.